



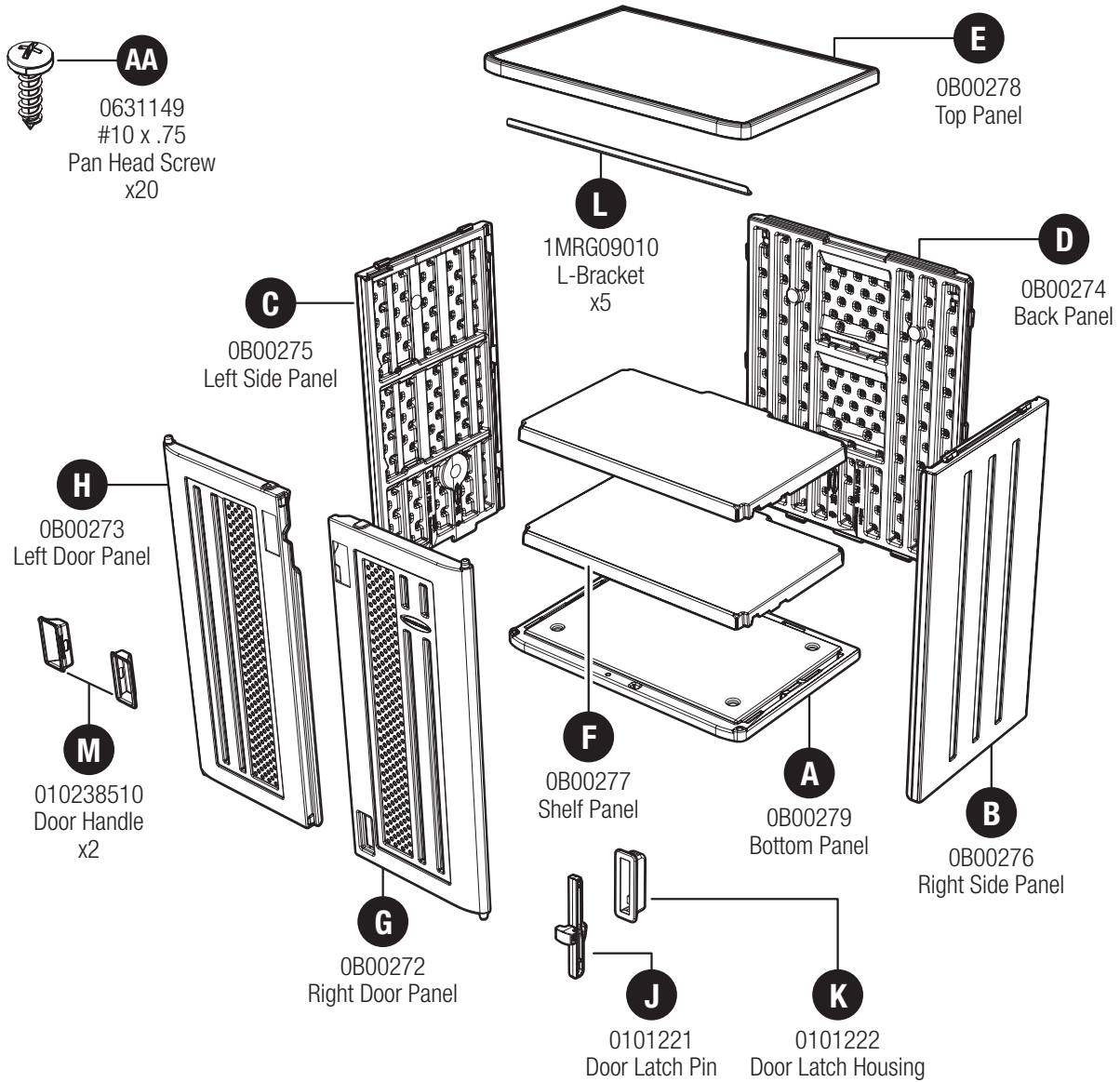
To learn about other Suncast products, please call
1-855-477-1260 or 1-630-381-6309.



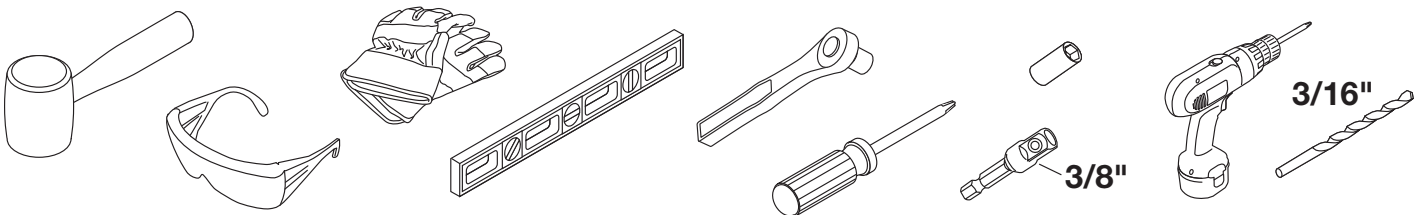
Product Feedback? Go To: [Suncastcommercial.com/feedback](https://www.suncastcommercial.com/feedback) OR
email us at: feedback@suncastcommercial.com

ITEM NUMBER: BMCCPD3600

PARTS



TOOLS NEEDED



BEFORE YOU BEGIN

- Read instructions thoroughly prior to assembly.

This kit contains parts that can be damaged if assembled incorrectly or in the wrong sequence.

- Please follow instructions.

Suncast is not responsible for replacing parts lost or damaged due to incorrect assembly.

- Check for all parts before you begin assembly.

Using the provided parts check list, verify that you have all the parts required to construct your cabinets.

- Assistance is required during parts of the assembly.

CAUTION

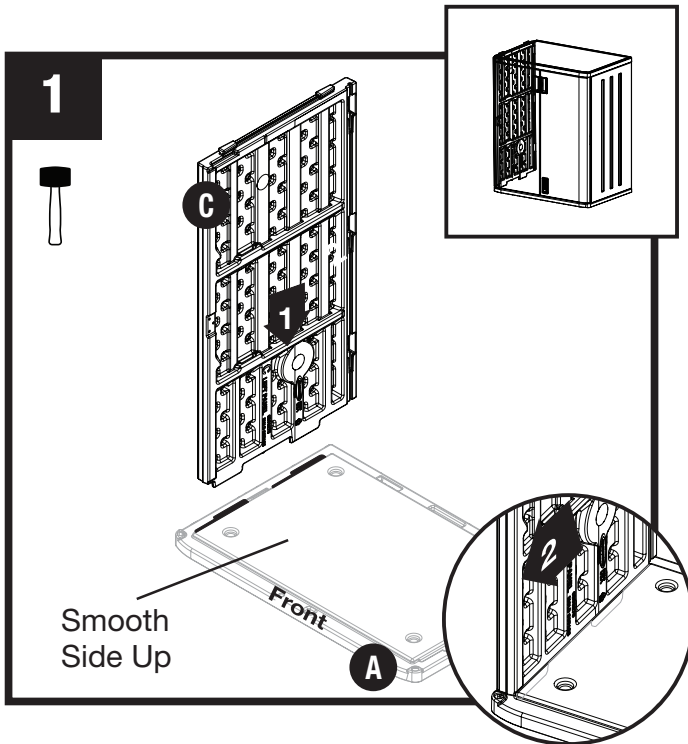
- Not intended for storage of flammable or caustic chemicals.
- Not intended for usage by children.
- To avoid risk of suffocation, do not allow children to play inside container.
- This product may become susceptible to impact damage in freezing temperatures.
- Do not store near excessive heat.
- Exercise caution when moving fully loaded product. This product is not intended for transporting heavy objects. Use as a stationary storage device only.
- Do not sit or stand on top.
- Do not store items on top.
- Max load 200lbs. per shelf.
- Mounting to wall studs is recommended.
- Mount flush and level to wall.
- Do not stack units.

CARE AND CLEANING

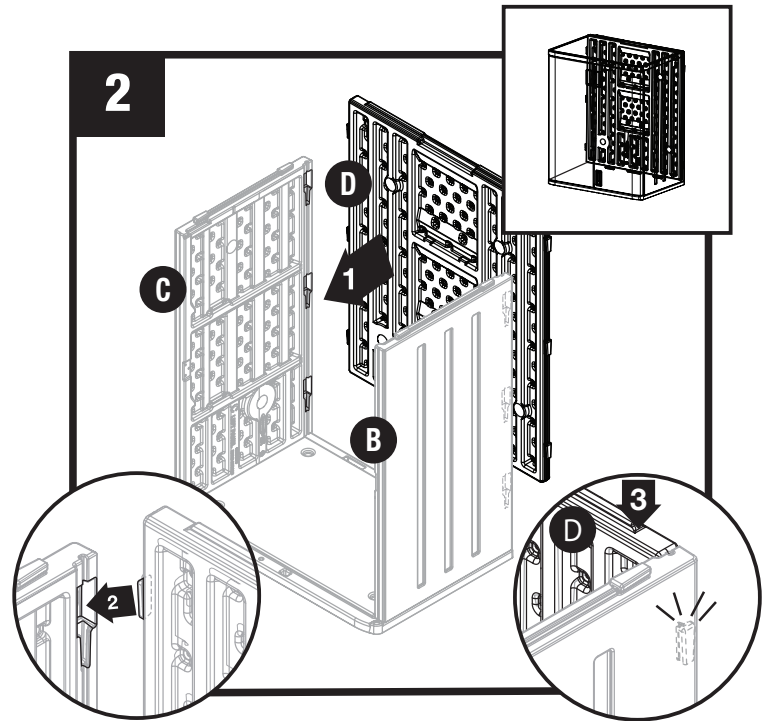
Exposure to the elements (such as dust, plant and animal life, moisture and sunlight) encourages moss, algae, and mold to grow on outdoor items. To maintain the look of your product, we recommend cleaning it each year with mild soap and water. DO NOT use bleach, ammonia, or other caustic cleaners, and DO NOT use stiff bristle brushes. Failure to perform annual cleaning could result in permanent staining of the plastic. This is not a manufacturing defect and is not covered under warranty.

ASSEMBLY

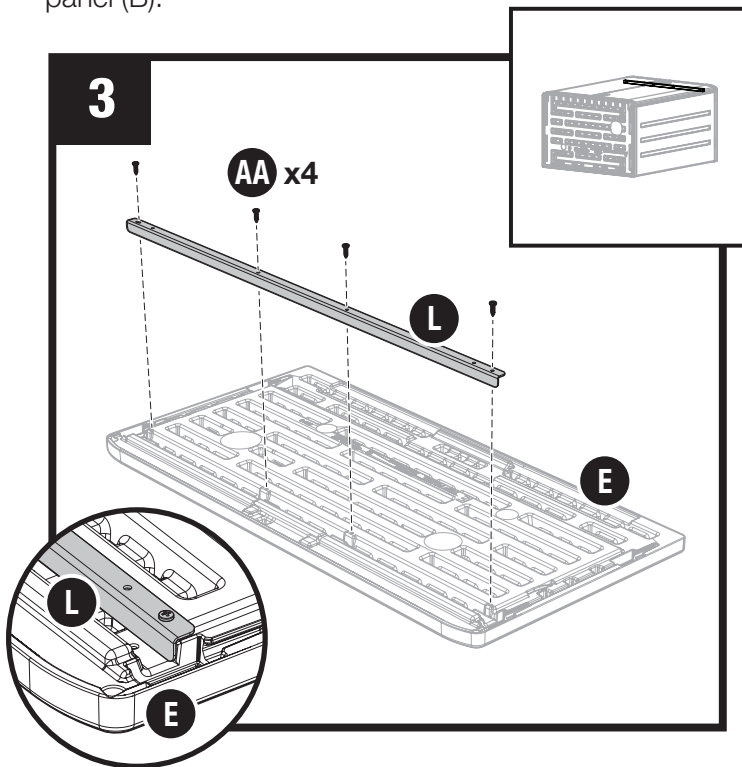
! Make sure all tabs are engaged before locking panels together.



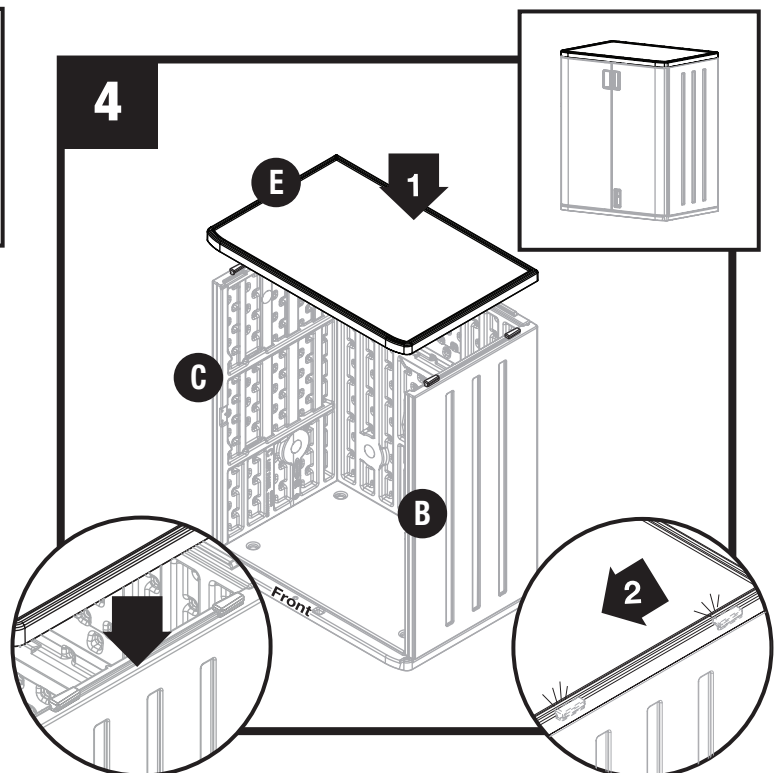
Align tabs on left side panel (C) with slots on bottom panel (A). Lower side panel into slots and lock in place by sliding panel towards front. Repeat with right side panel (B).



Align and engage tabs on back panel (D) with slots on side panels (C/B). Push panel (D) down to lock in place.

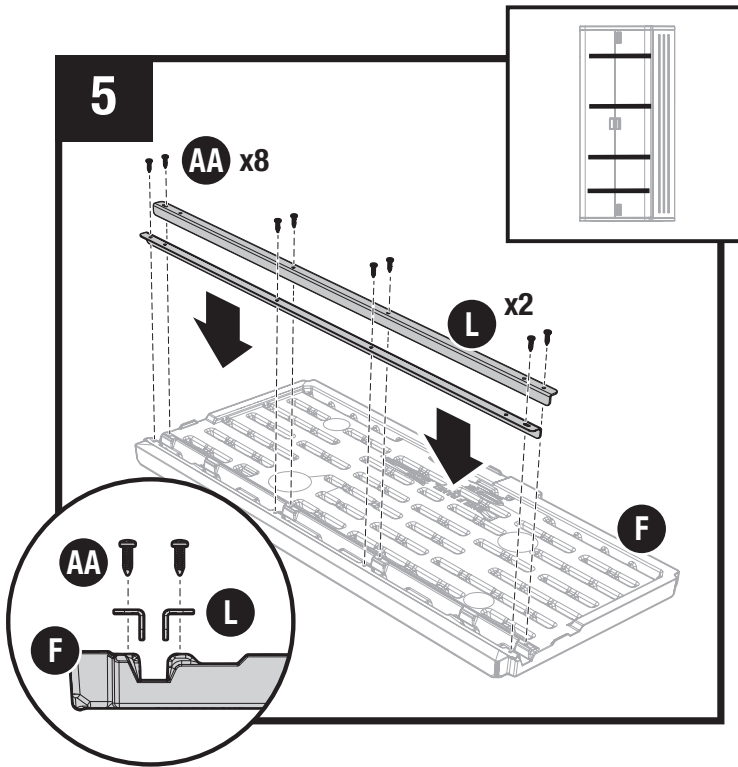


Attach one L-bracket (L) to top panel (E) using four screws (AA).

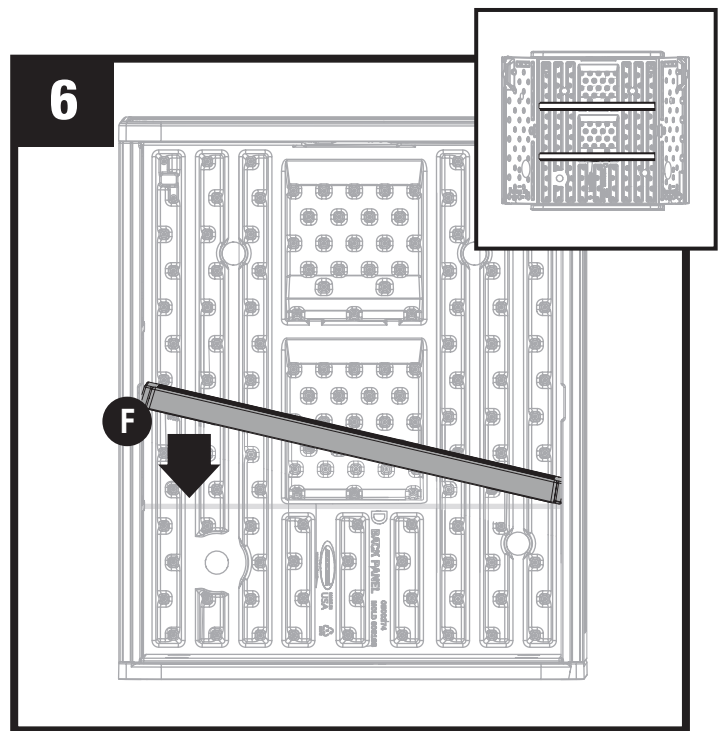


Align slots on top panel (E) with tabs on side panel (C/B). Lower top panel and lock in place by sliding panel towards front. Top will overhang front slightly.

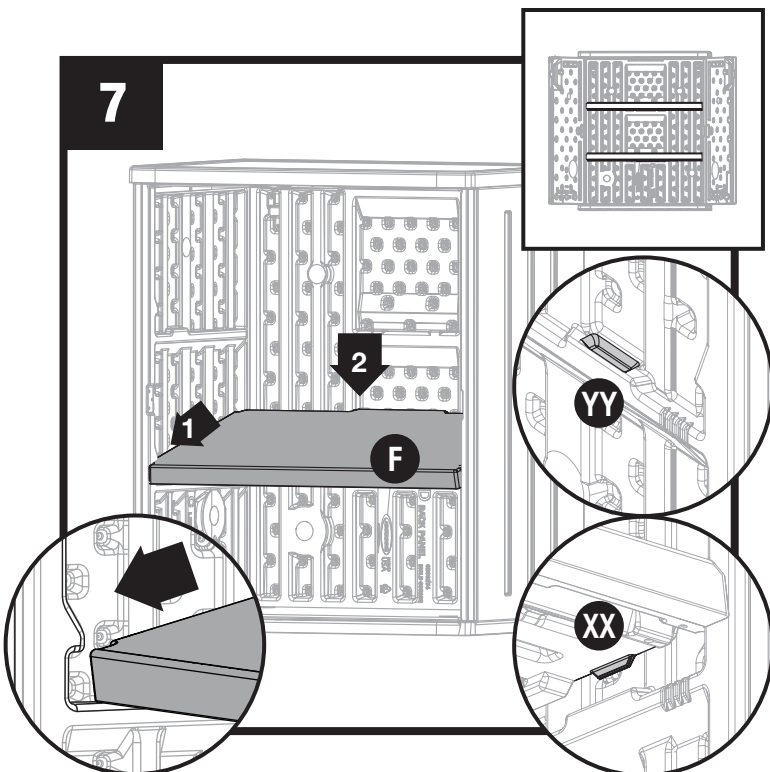
SHELF INSTALLATION



Attach two L-brackets (L) to one shelf (F) using four screws (AA) on each L-bracket. Repeat for remaining shelf.



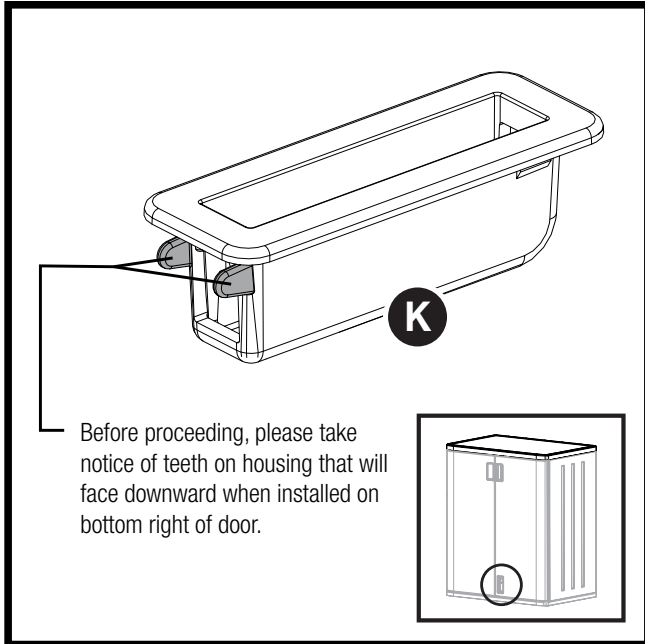
Insert shelf (F) on angle. Move to a level position while holding in hands.



IMPORTANT: Tab (XX) on shelf must engage with slot (YY) on the inside of side panels for each shelf. Push side panels inward to engage.

Tilt shelf (F) forward and place front corners of shelf into indented area on side panels. Push down on back of shelf to snap into position. Repeat steps for remaining shelves. Insert middle shelf last.

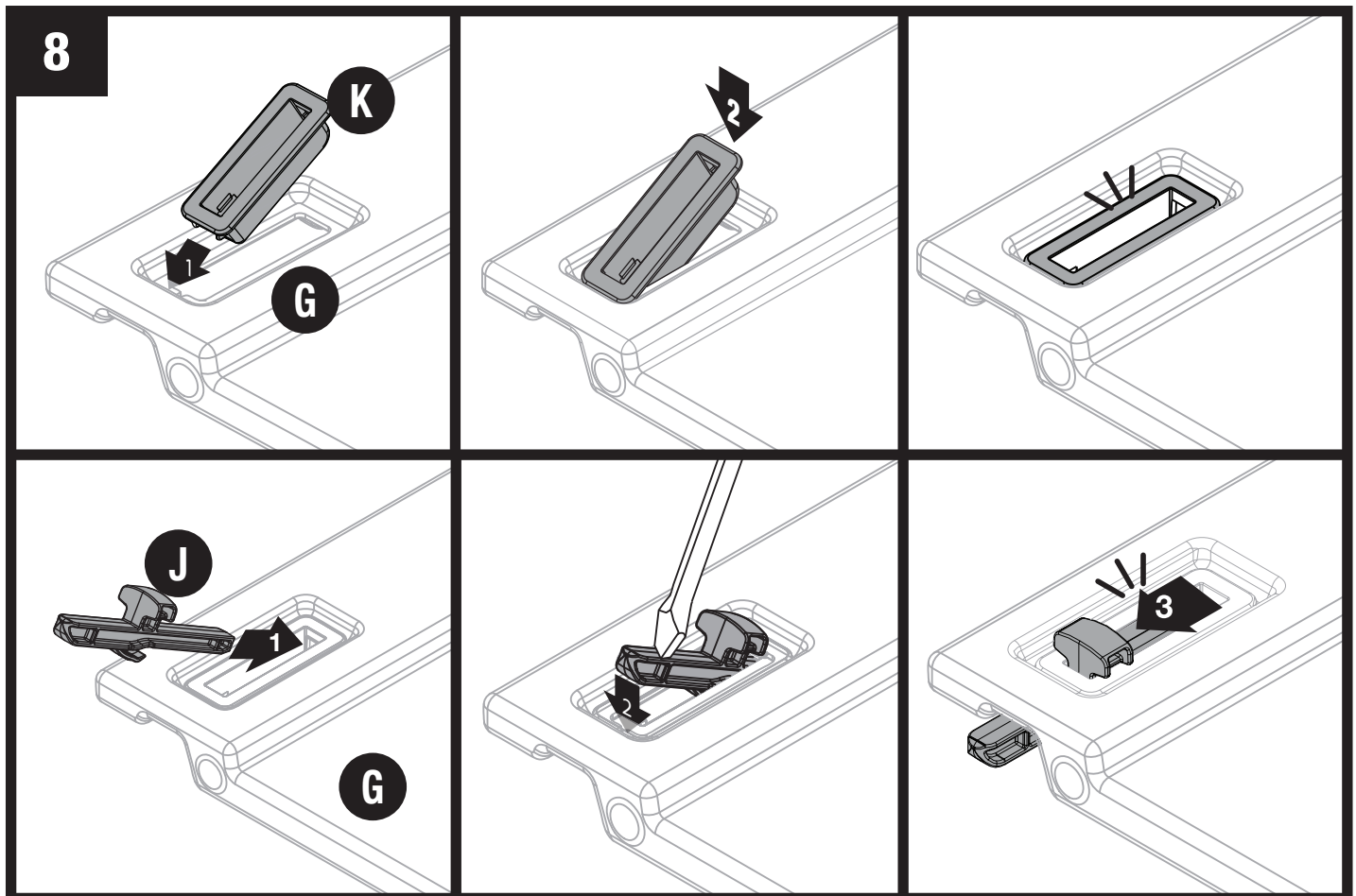
ASSEMBLY-DOORS



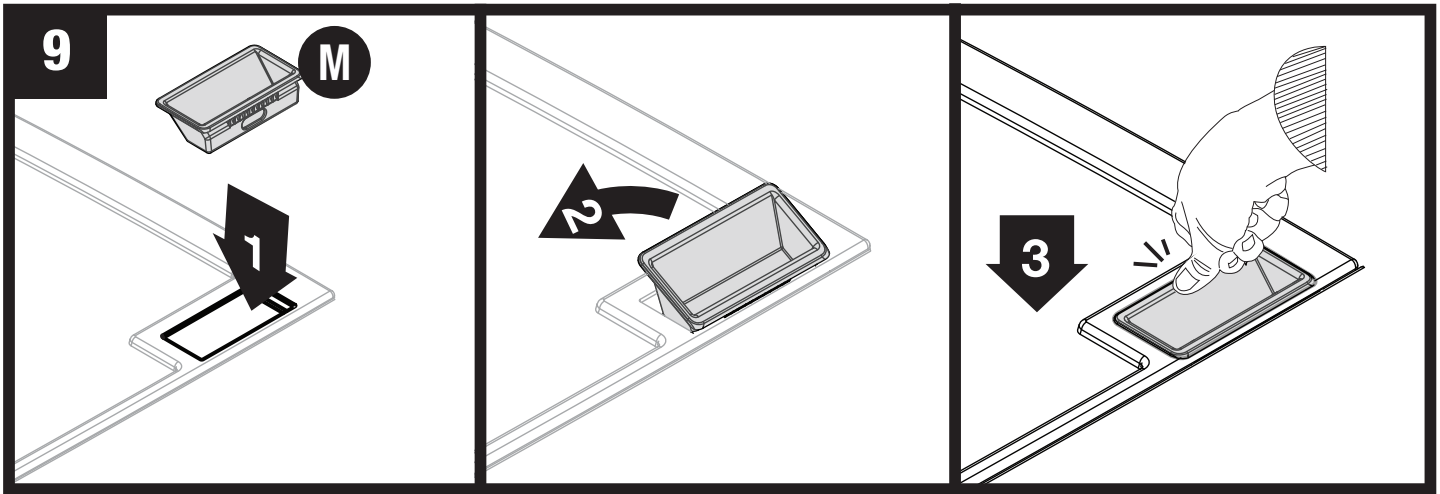
Insert door latch housing (K) into bottom right door (G) and snap into place. Insert door latch (J) into door latch housing. Push latch pin down so it is fully seated in latch housing. Push down with force until you hear a snap. Slide latch up and down to confirm it slides properly.

Note: You may need a screw driver to push the latch pin down. Push with force.

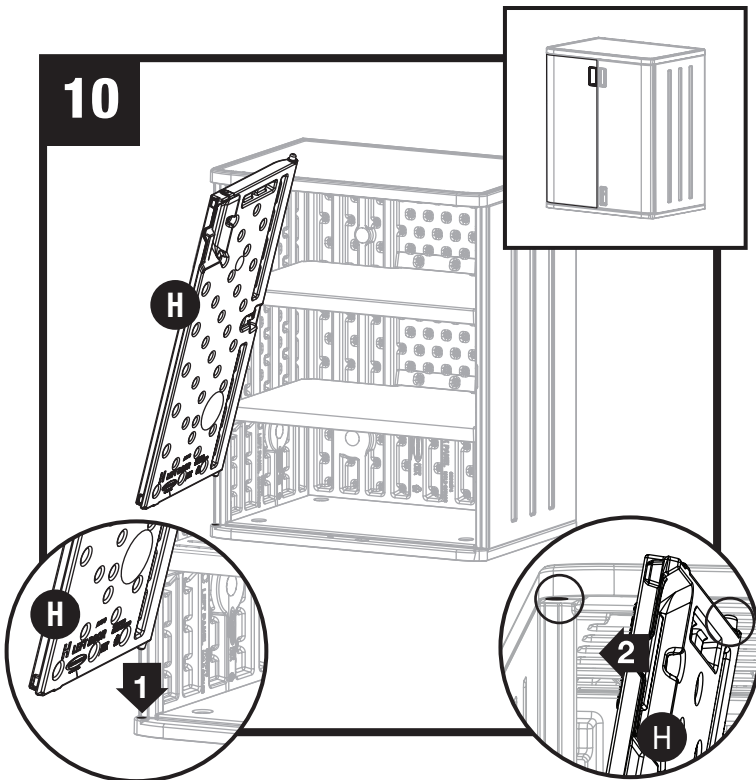
BOTTOM OF DOOR HOUSING AND LATCH PIN



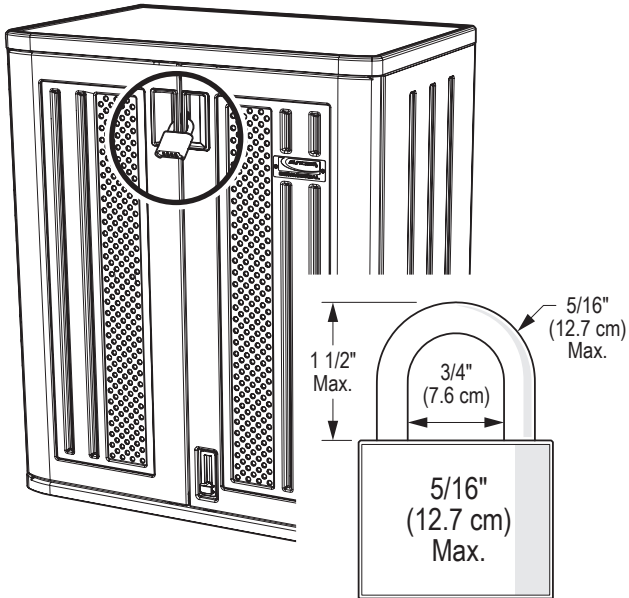
ASSEMBLY-DOORS (CONTINUED)



Place door on a flat hard surface. Lower (M) into left door. Insert on an angle. Hole for lock must be facing inside of cabinet. Push down hard on center of handle to snap in place. Repeat with right door.



With left door (H) in the open position, place door into hinge receptacle on bottom left of cabinet. Insert hinge pin under top panel and slide to the left into hinge receptacle. Repeat with right door (G).

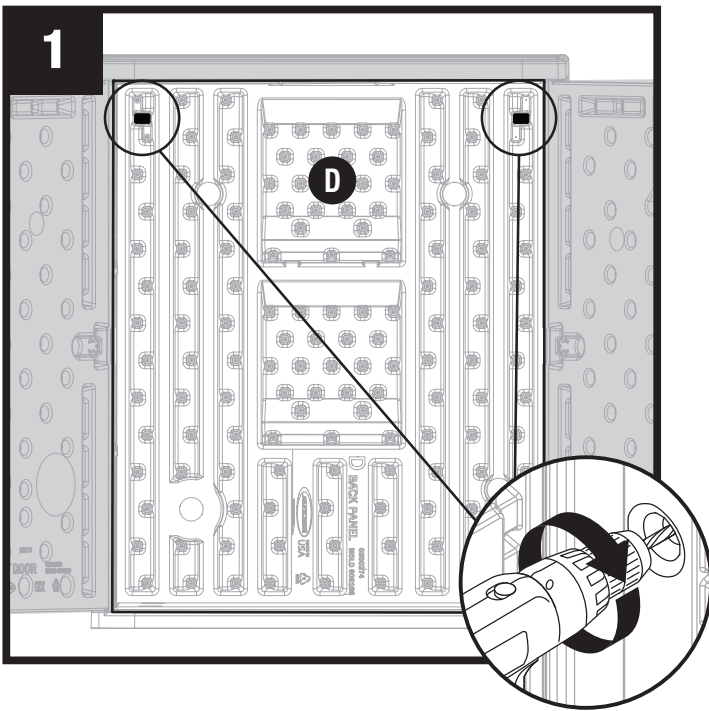


With doors closed, attach a 5/16" lock (not provided).

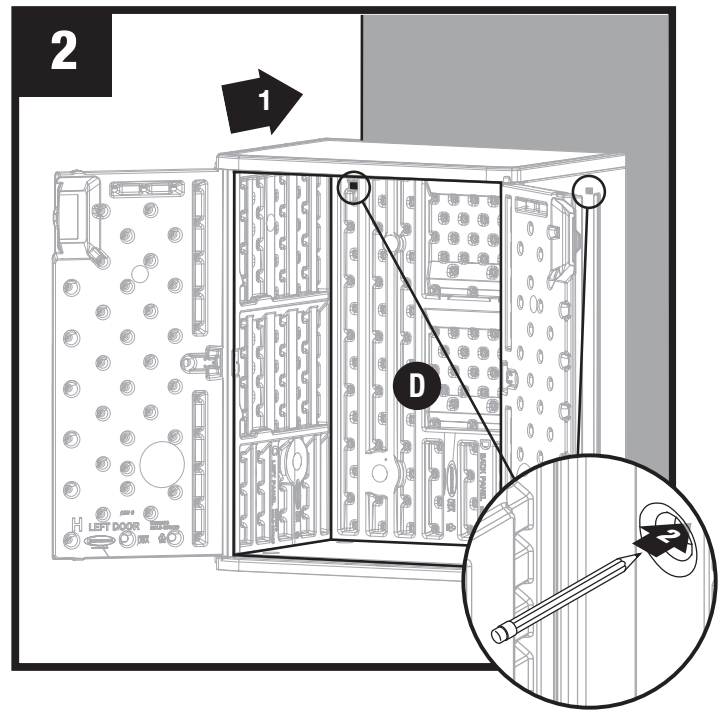
MOUNTING CABINET TO WALL

Mounting the cabinet to a wall for added stability is recommended.

Note: Securing cabinet to wall is easier with shelves removed.



Using a 3/16" drill bit, drill through two mounting locations on back wall of cabinet.



Move cabinet to desired location. Using mounting holes as a template, mark locations on wall. Consult your local hardware retailer for the correct mounting hardware for your application.

WARRANTY

SUNCAST COMMERCIAL® ONE Year Limited Warranty

Your SUNCAST COMMERCIAL® item has a ONE YEAR LIMITED WARRANTY against product failure resulting from defects in manufacturing or materials. The warranty period starts on the delivery date. Incidental and consequential damages are not covered.

Warranty Claims

To file a warranty claim contact the manufacturer, SUNCAST® CORPORATION, 701 North Kirk Road, Batavia, Illinois, 60510. Call toll free (855) 477-1260 or visit www.suncastcommercial.com. SUNCAST® will replace only the parts that failed under the terms of the warranty. In some cases, the replacement parts may not be identical, but they shall be of equal or greater performance than the original part. We require proof of purchase. We require evidence of the failure. Warranty excludes shipping and handling charges.

WARRANTY LIMITATIONS

THIS WARRANTY COVERS ONLY DEFECTS THAT AFFECT THE FORM, FIT OR FUNCTION OF THE UNIT. It excludes natural aging of the unit, discoloration, ordinary wear and tear, ordinary weathering, sunlight fading, or rust. It excludes staining caused by mold, mildew or tree sap and damage caused by animals including insects, vermin or household pets. The warranty does not cover damage caused by Acts of Nature including but not limited to: wind in excess of 50 mph; tornado; hurricane; microburst; hail; flood; blizzard; extreme heat; pollution or fire events.

The following actions void the warranty: improper assembly; use above intended and reasonable capacity; misuse; abuse; failure to perform ordinary maintenance. Modification of the original product voids all warranties. Suncast assumes no liability for any modified product or consequences resulting from failure of a modified product.

Suncast is not responsible for: loss of use of the unit; labor for repair, inspection fees or disposal costs.

THIS WARRANTY IS NONTRANSFERABLE. IT EXCLUDES FLOOR MODELS, CLEARANCE AND OPEN BOX UNITS.

THE MANUFACTURER'S LIABILITY HEREUNDER IS LIMITED SOLELY TO THE REPLACEMENT OF THE DEFECTIVE PRODUCT OR PART AND THE MANUFACTURER SHALL IN NO EVENT BE LIABLE FOR ANY INCIDENTAL OR CONSEQUENTIAL DAMAGES WHICH MAY RESULT FROM ANY DEFECT IN MATERIAL OR WORKMANSHIP OR FROM THE BREACH OF ANY EXPRESS OR IMPLIED WARRANTY.

This warranty gives you specific legal rights, and you may also have other rights which vary from state to state. Some states do not allow the exclusion or limitation of incidental or consequential damages; the limitation or exclusion may not apply to you.