



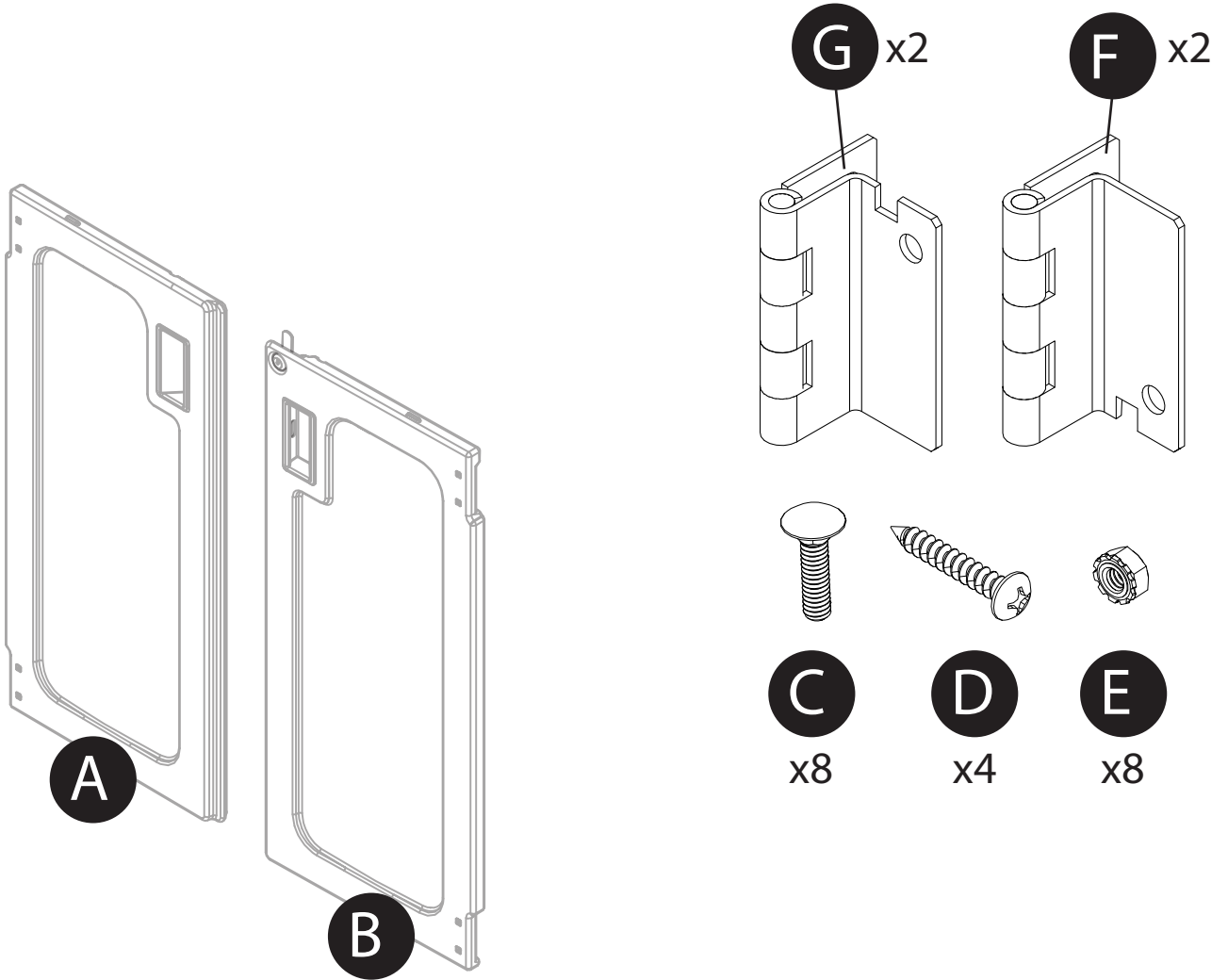
To learn about other Suncast products, please call
1-855-477-1260 or 1-630-879-2050.



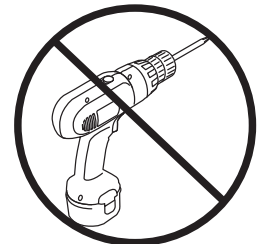
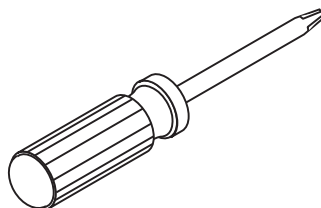
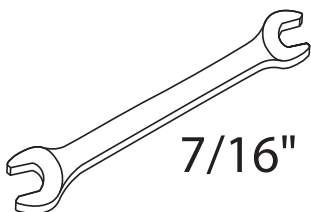
Product Feedback? Go To: Suncastcommercial.com/feedback
OR email us at: feedback@suncastcommercial.com

ITEM NUMBER: HKCBMDOOR

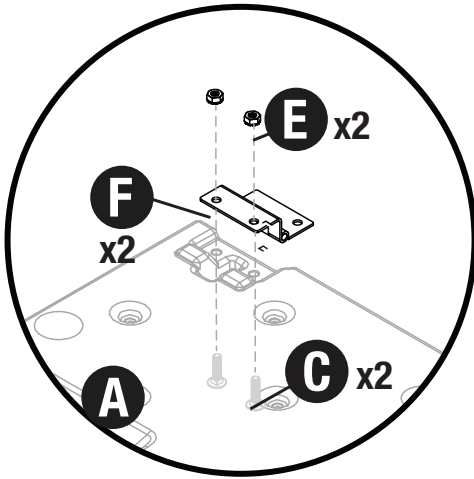
PARTS



TOOLS NEEDED

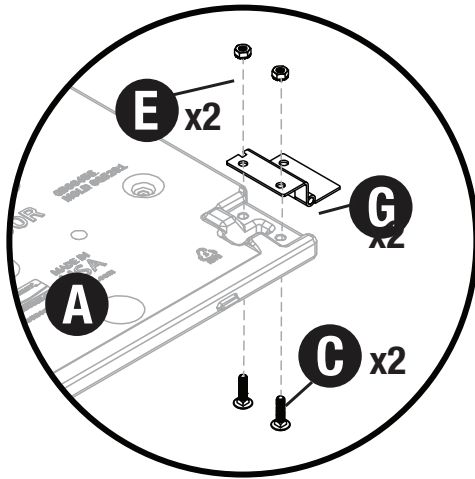


1

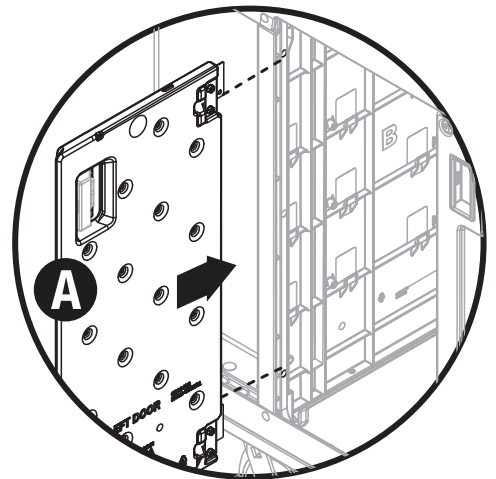


Left Door Top
Notch on bottom

2



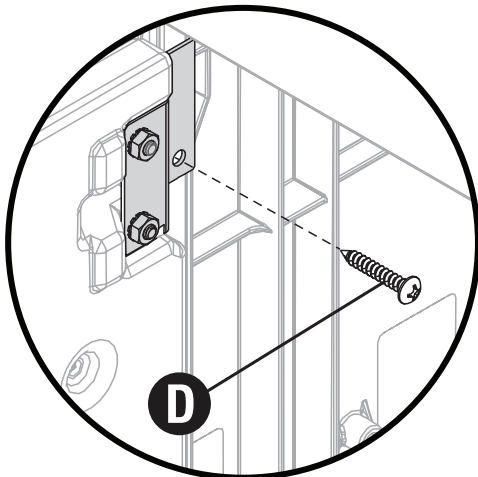
Left Door Bottom
Notch on top



Left Door

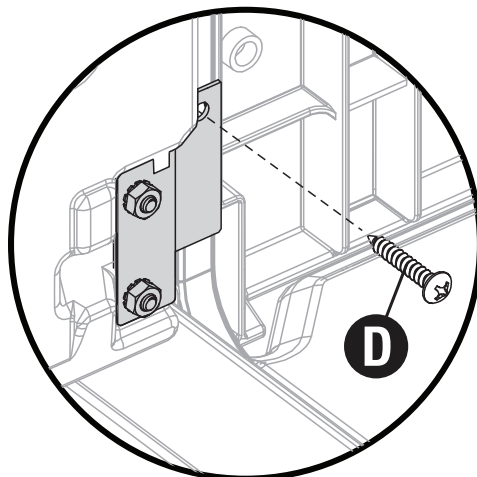
Attach two hinges (F & G) to left door (A) using two bolts (C), and two nuts (E). Notice notches in each hinge for placement. Repeat with the right door. On right door (G) hinge will go on top and (F) on bottom. Attach left door to cart. Note: DO NOT over-tighten.

3

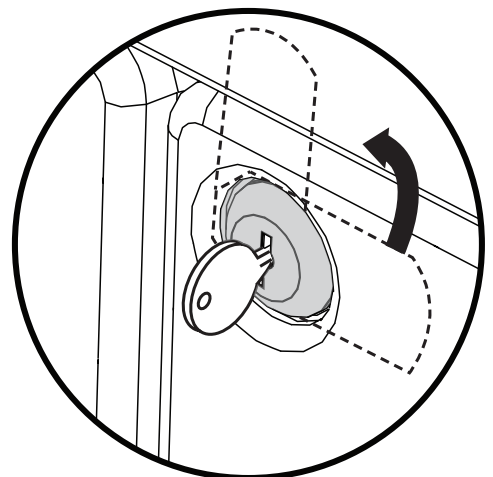


Left Door Top

4



Left Door Bottom



Right Door

Insert one screw (D) in each hinge of the left door. Repeat on the right door. To lock doors turn key counter clockwise until lock is in vertical position. After doors are installed, check the door closure. If door closure is too difficult or doesn't make enough contact, loosen screws and adjust up or down accordingly.