

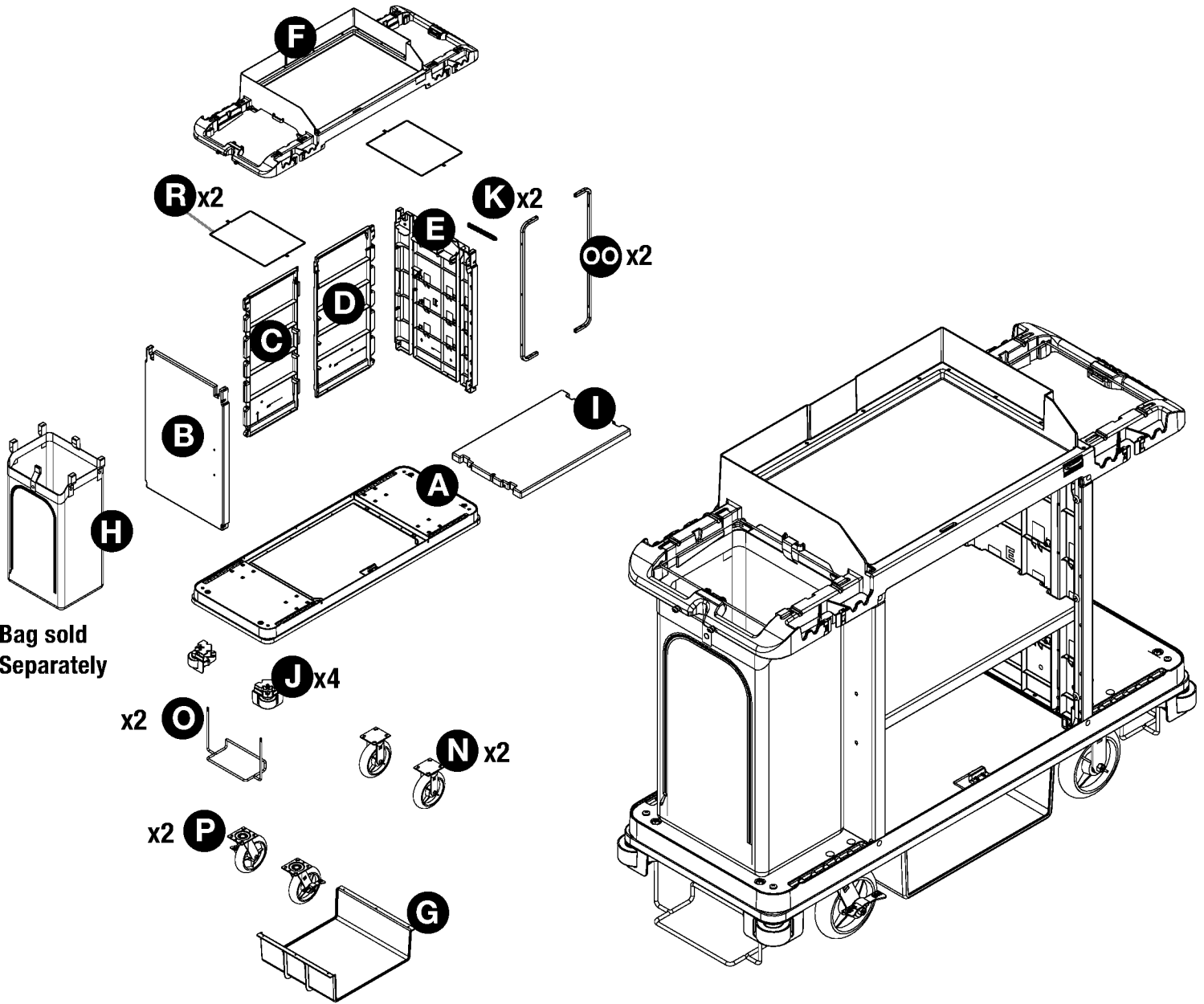
To learn about other Suncast products, please call 1-800-846-2345 or 1-630-879-2050.



Product Feedback? Go To: Suncastcommercial.com/feedback OR email us at: feedback@suncastcommercial.com

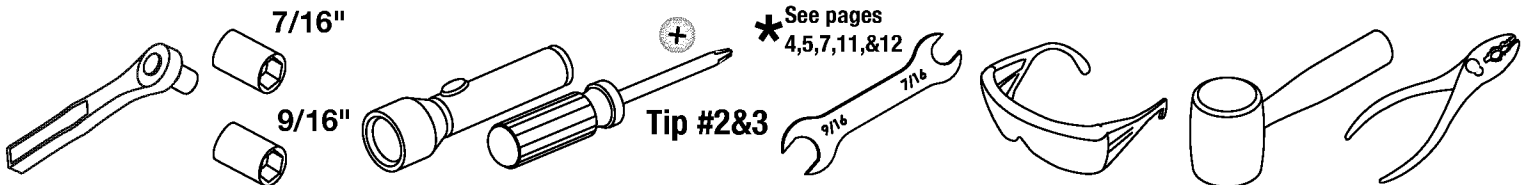
ITEM NUMBER: HKC1000

PARTS



Bag sold Separately

TOOLS NEEDED



* See pages 4,5,7,11,&12

BEFORE YOU BEGIN

- **Read instructions thoroughly prior to assembly.**

This kit contains parts that can be damaged if assembled incorrectly or in the wrong sequence.

- **Please follow instructions.**

Suncast is not responsible for replacing parts lost or damaged due to incorrect assembly.

- **Assistance is required during parts of the assembly.**

IMPORTANT

OPEN **ALL** BOXES FIRST AND NEATLY LAYOUT PARTS. SMALL PARTS MAY BE CONTAINED IN EACH BOX. PLEASE REFERENCE THE PARTS LIST WITHIN THIS MANUAL TO VERIFY **ALL** PARTS ARE PRESENT.

CAUTION

- Not intended for usage by children.
- This product may become susceptible to impact damage in freezing temperatures.
- Do not store near excessive heat.
- Exercise caution when moving fully loaded product. This product is not intended for transporting heavy objects.

CARE AND CLEANING

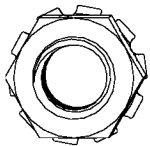
- To maintain the look of your product, we recommend cleaning it each year with mild soap and water. DO NOT use bleach, ammonia, or other caustic cleaners, and DO NOT use stiff bristle brushes. Failure to perform annual cleaning could result in permanent staining of the plastic. This is not a manufacturing defect and is not covered under warranty.

HARDWARE

0480435A

0671174A

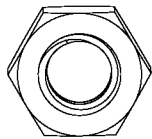
JJ



0631458
3/8"-16 inch
nut
x7

0671211

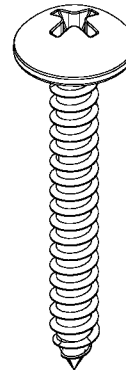
GG



0631869
3/8"-16 inch
locknut
x18

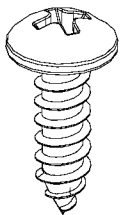
0671175A

QQ



0631903
1/4 x 1 1/2"
screw
x7

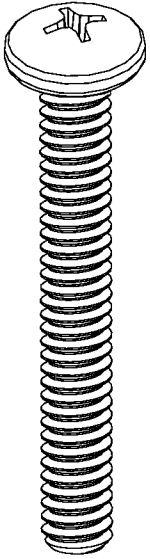
HH



0631869
1/4 x 3/4"
screw
x15

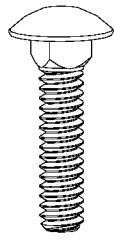
0671176

AA



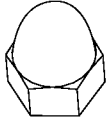
0631454
3/8" x 2 1/2"
Bolt
x5

CC



0631462
1/4" x 1"
Bolt
x2

PP



0631508
3/8"-16
acorn nut
x5

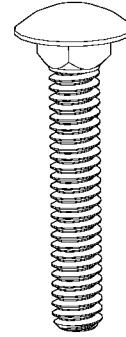
0671177

RR



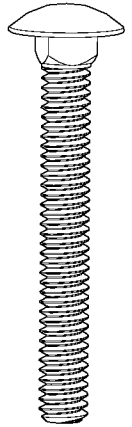
0631536
1/4" x 1/2"
screw
x5

DD



0631456
1/4" x 1 1/2"
Bolt
x5

EE

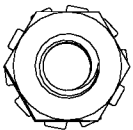


0631457
1/4" x 2"
Bolt
x 5

0480434A

0671178

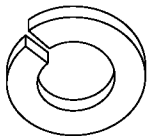
MM



0631459
1/4"-20 nut
x10

06711216

SS



0631013
3/8" split washer
x18

0671180

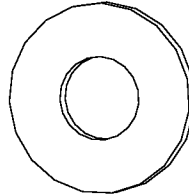
NN



0631535
cap
x16

0671179A

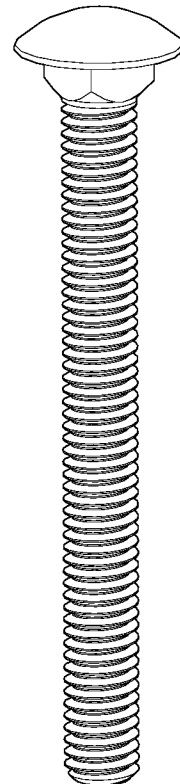
KK



0631178
3/8"
washer
x5

0480412B

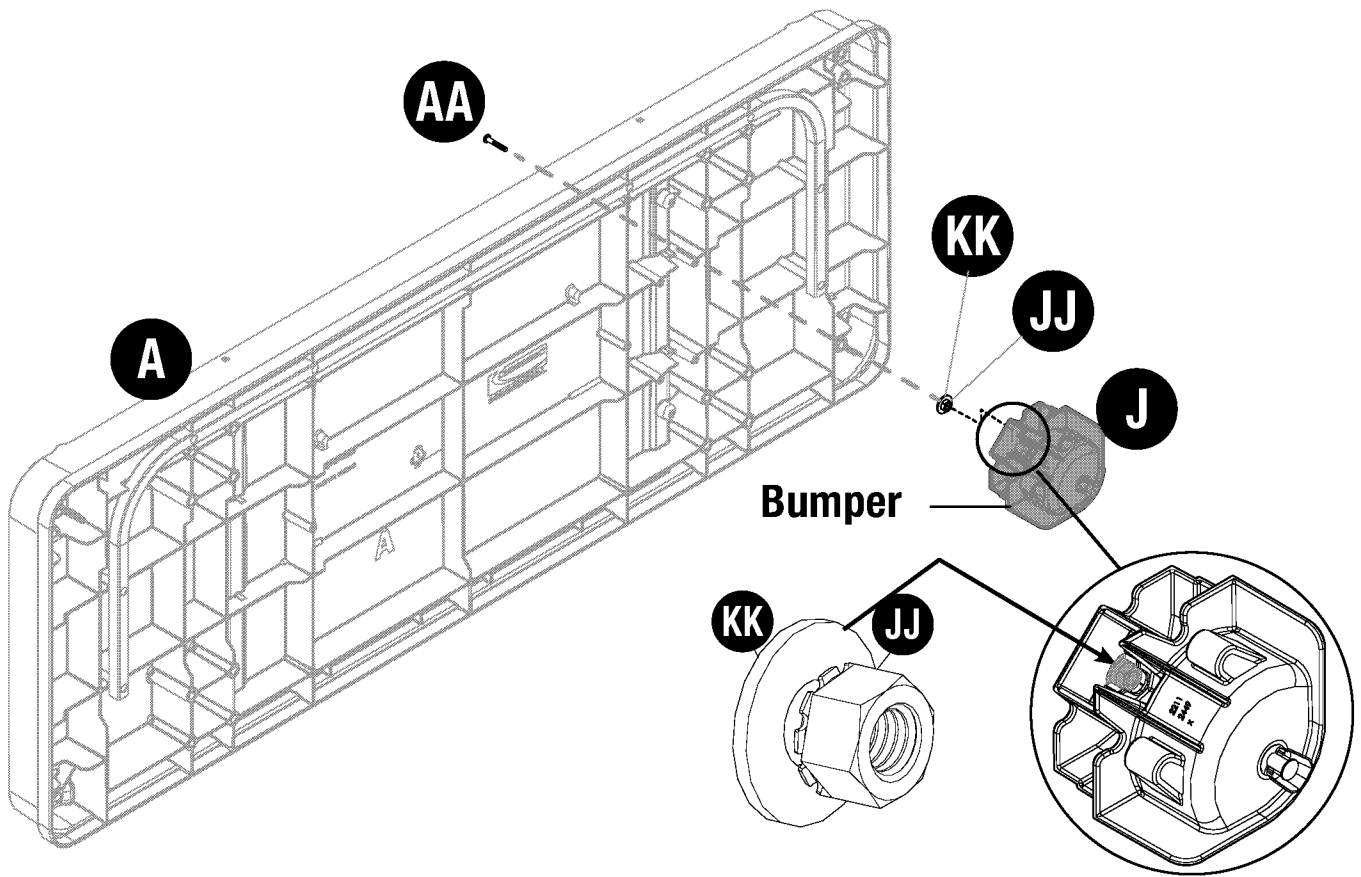
FF



0631455
3/8" x 3 3/4"
Bolt
x18

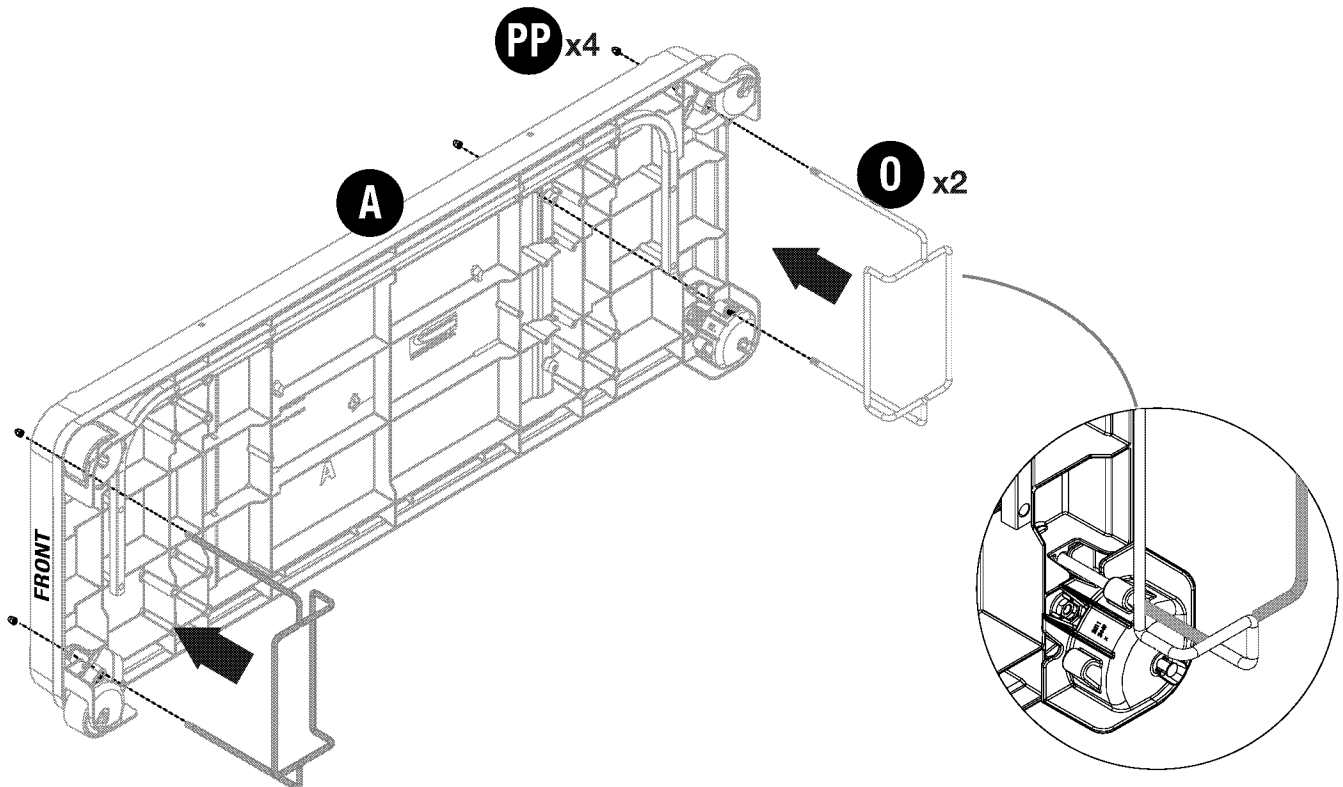
ASSEMBLY

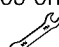
1



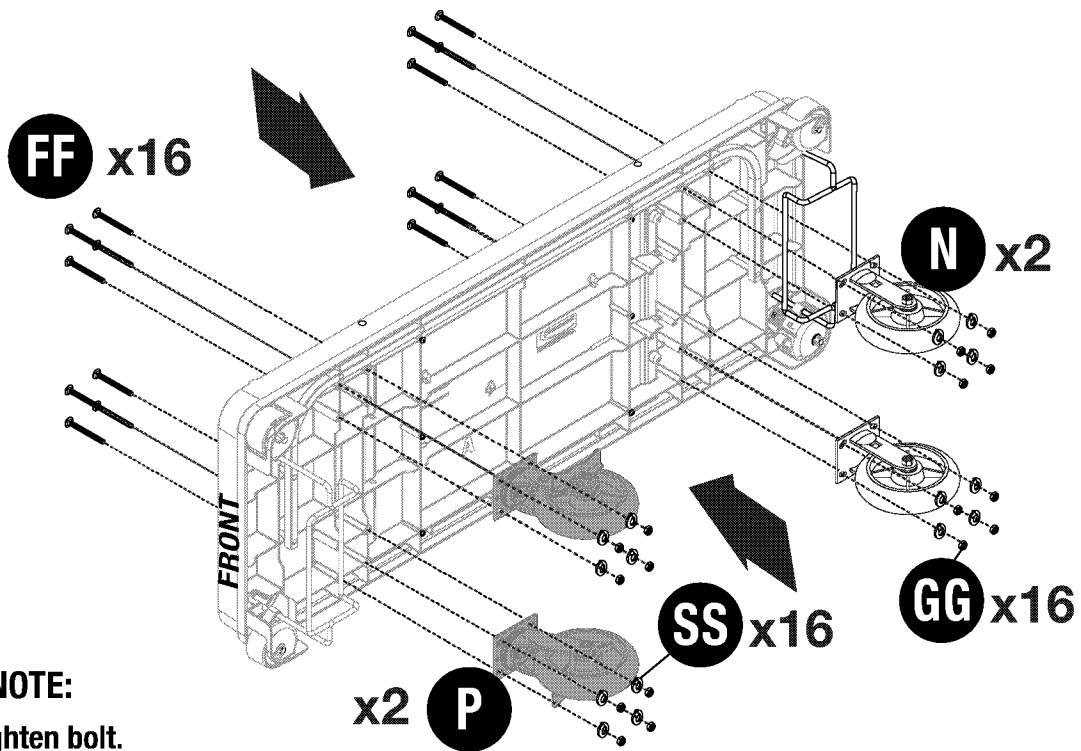
EN: Insert both washer (KK) and nut (JJ) into slot inside bumper then attach to bottom (A) using bolt (AA). Repeat with other bumpers. Make sure nut is inserted all the way to allow bolt to thread through nut.

2




EN: Insert vacuum rim (O) through inside holes on bumpers and through bottom (A). Attach from other side using Acorn nut (PP). Tighten nuts (PP). **Note: Use supplied wrench *** 

3

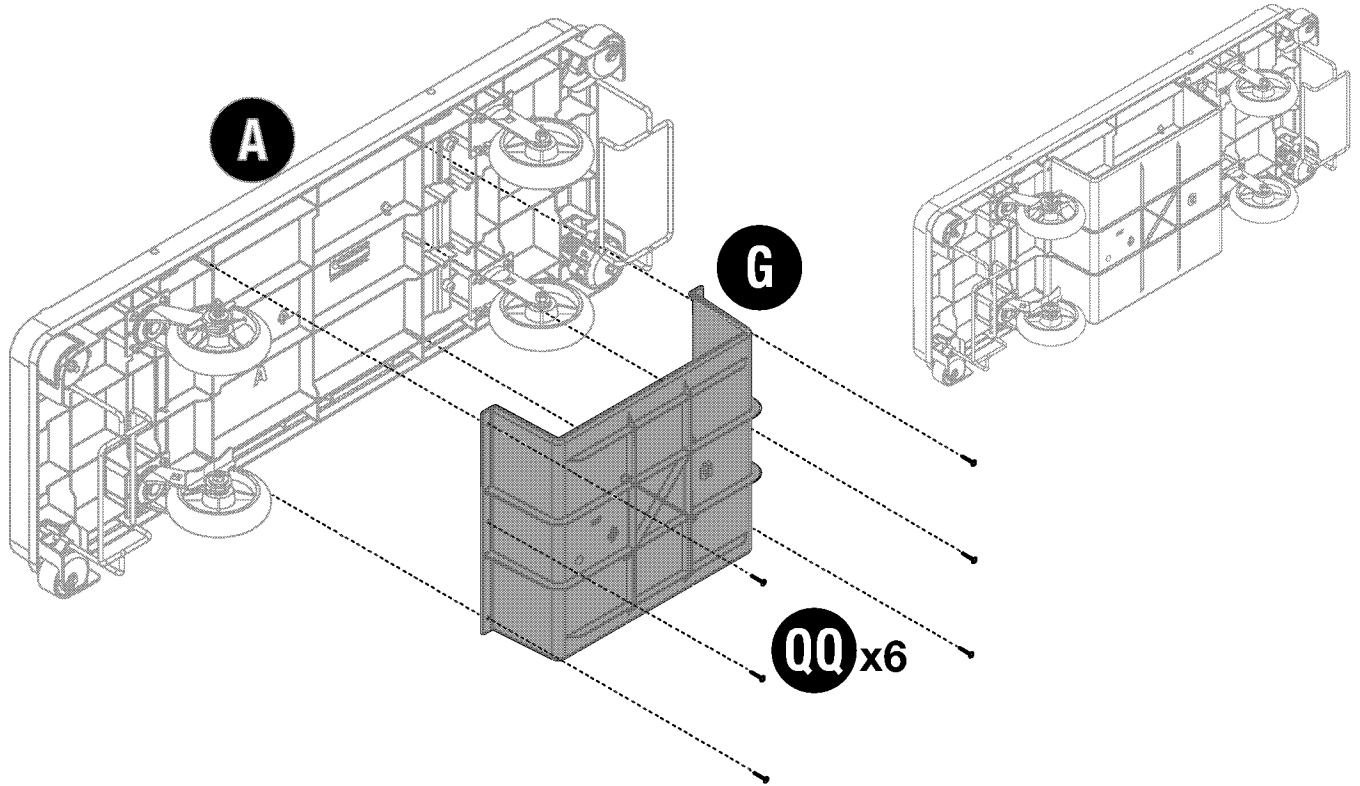


IMPORTANT NOTE:

DO NOT over tighten bolt.
Head must not deform the top surface.

EN: Attach front/back casters (P and N) to under side of cart using sixteen bolts (FF) sixteen washers (SS) and sixteen nuts (GG). Attach braking casters (P) to the front. Attach fixed casters (N) to the back. **Note:** Use supplied wrench * 

4

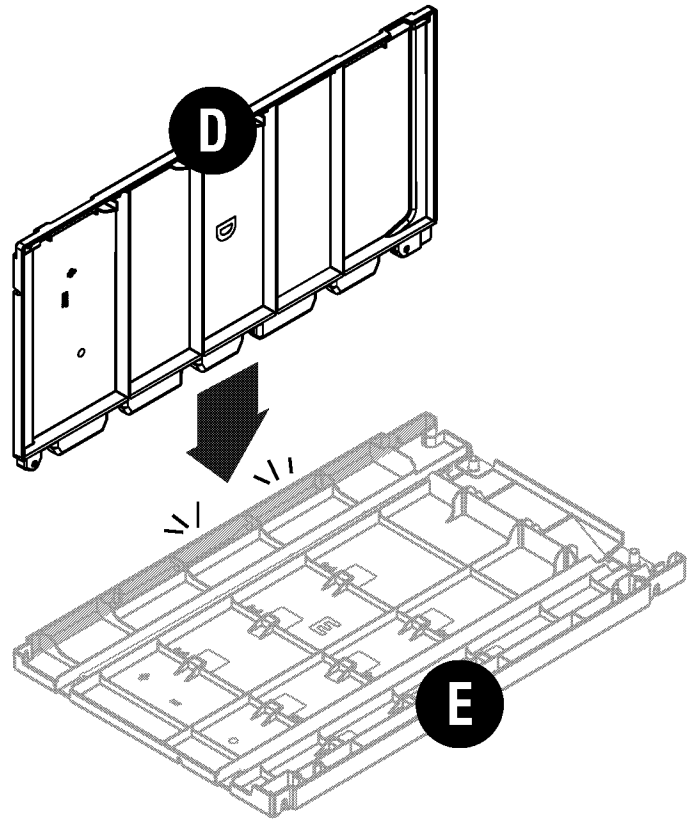
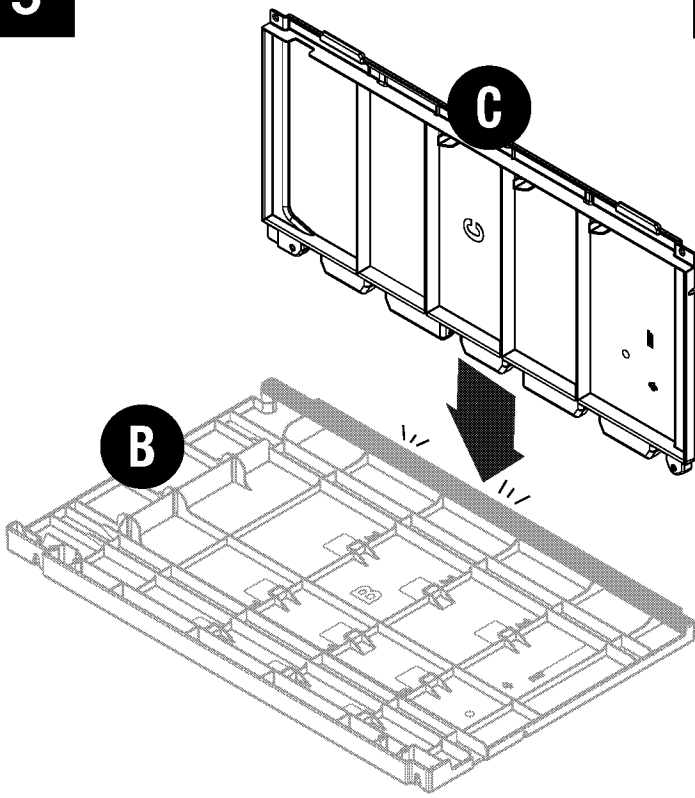


EN: Attach dish rack (G) to bottom of the cart (A) using six screws (QQ).

ASSEMBLY (Continued)

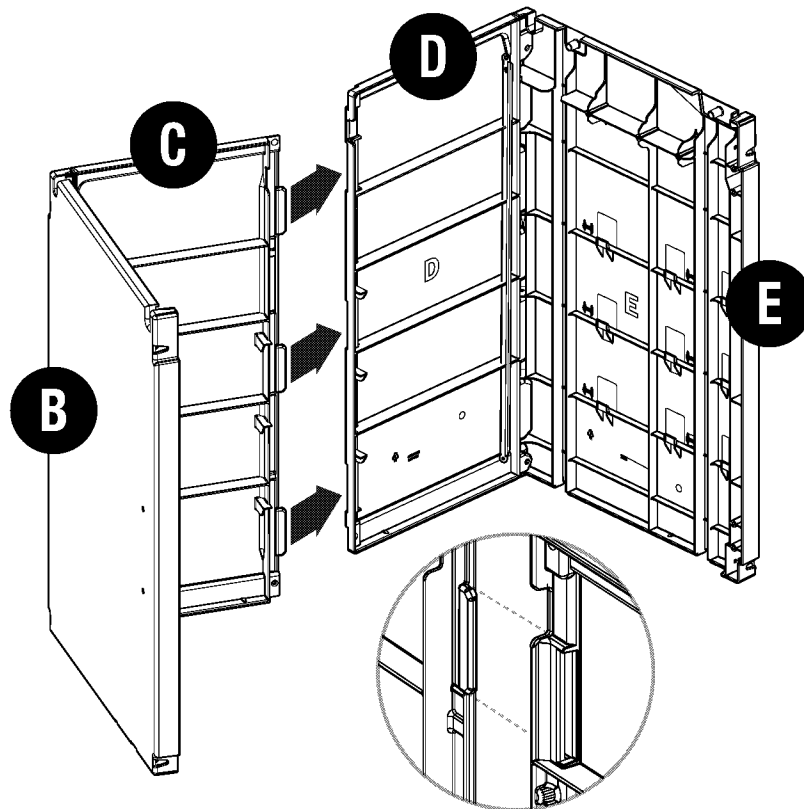
5

6



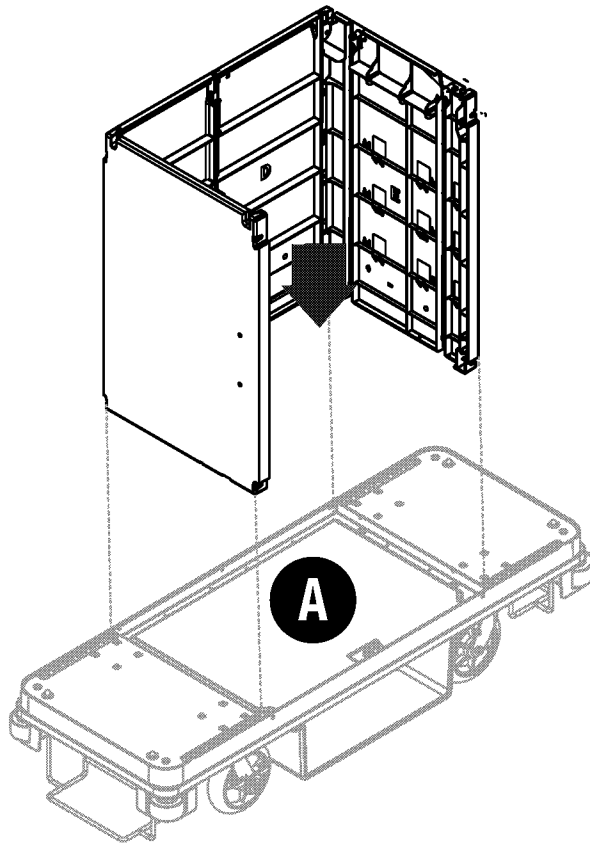
EN: Insert back left panel (C) into left side panel (B) until secure. Insert back right panel (D) into right side panel (E) until secure.

7



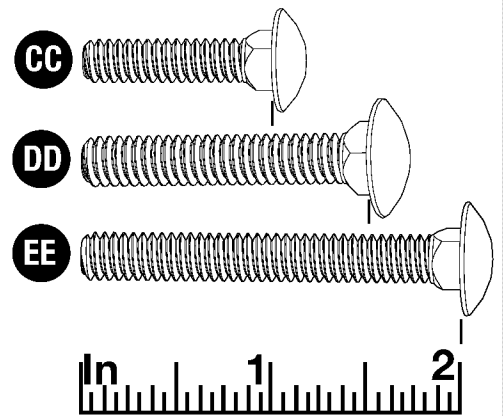
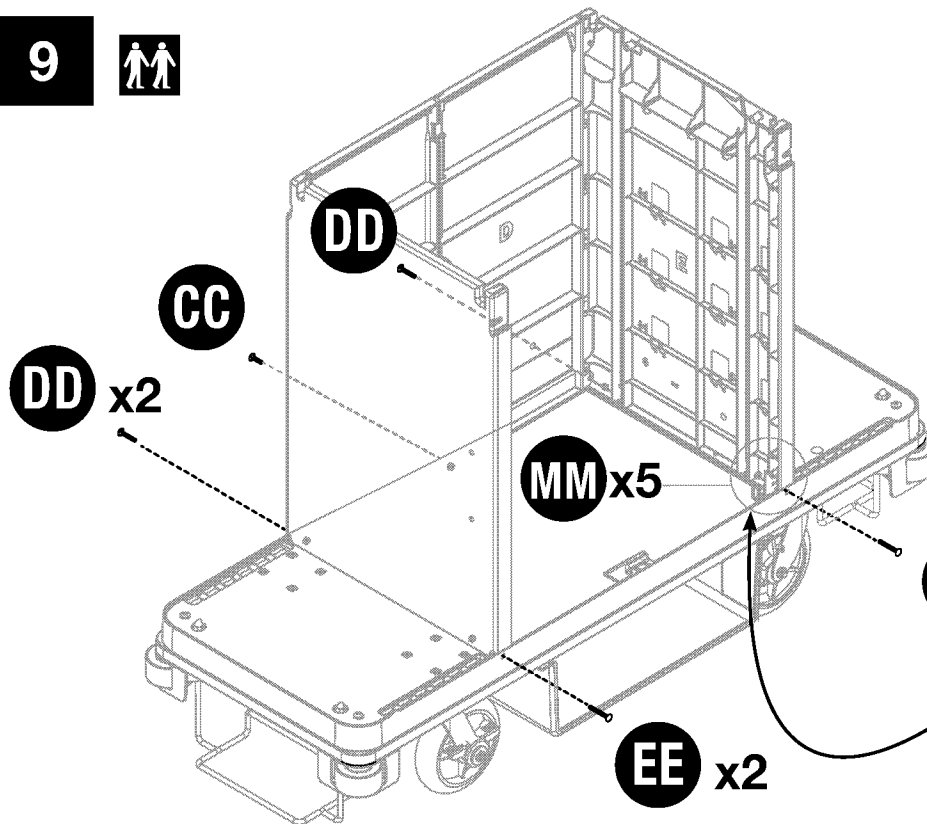
EN: Insert Left back panel tabs (B/C) into slots on right back panel (D/E) on an angle and push together.

8



EN: Lower assembled panel down onto top of cart (A). Place in center rectangular area.

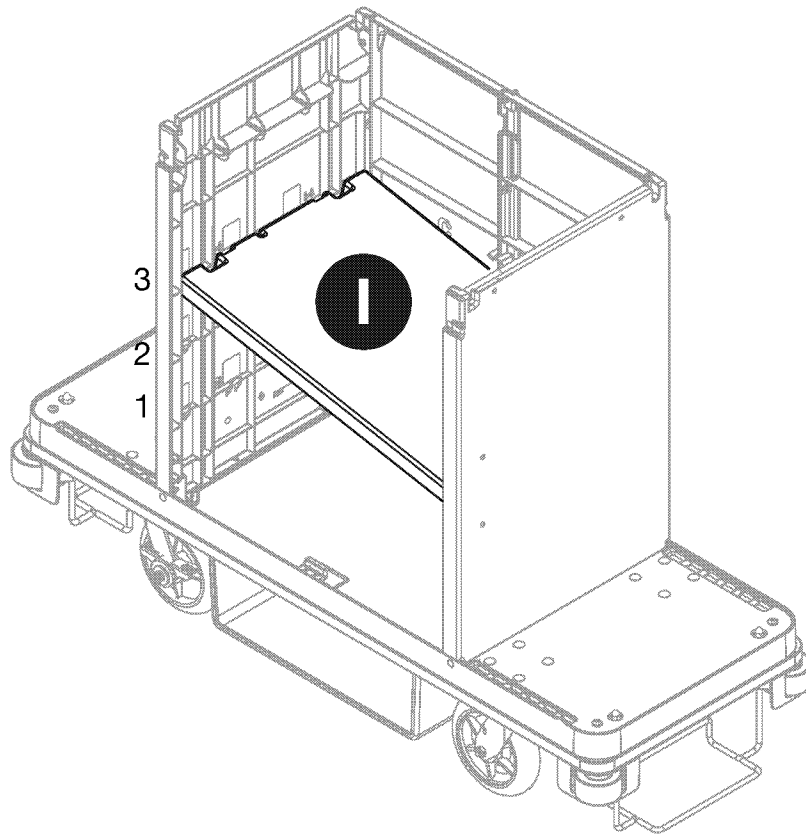
9



EN: Attach sides to cart in four corners using five screws (CC /DD /& EE) and five nuts (MM).

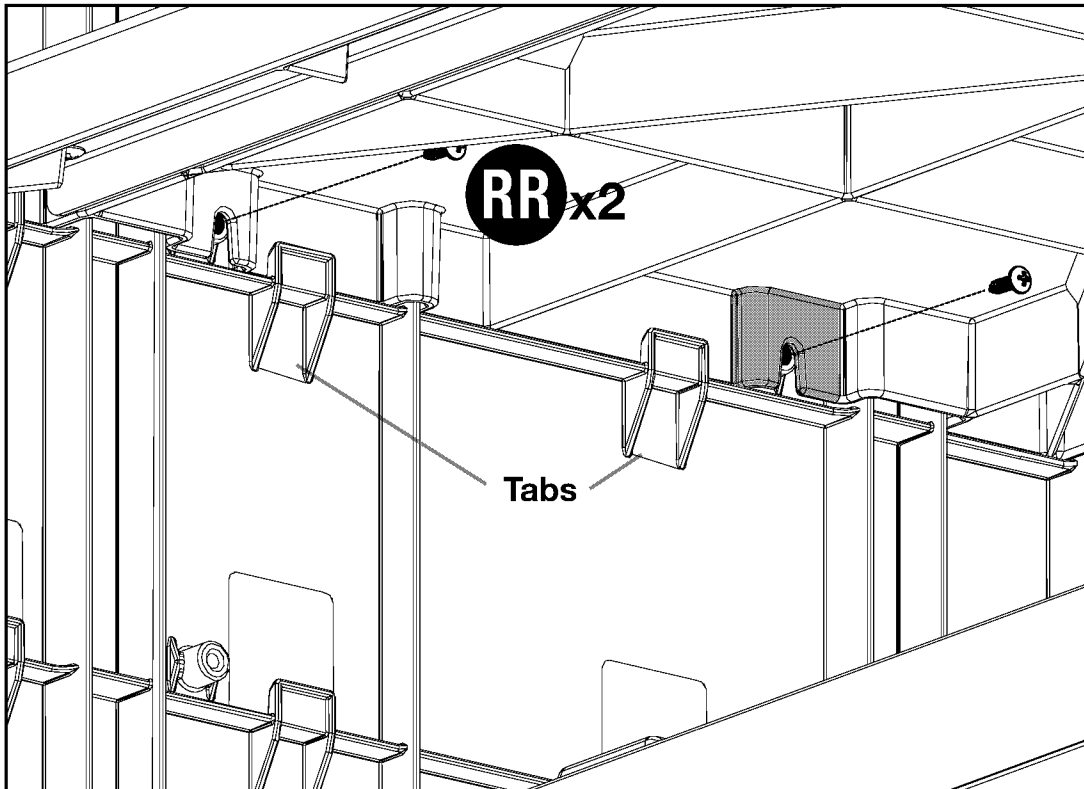
Note: Use supplied wrench * 

10



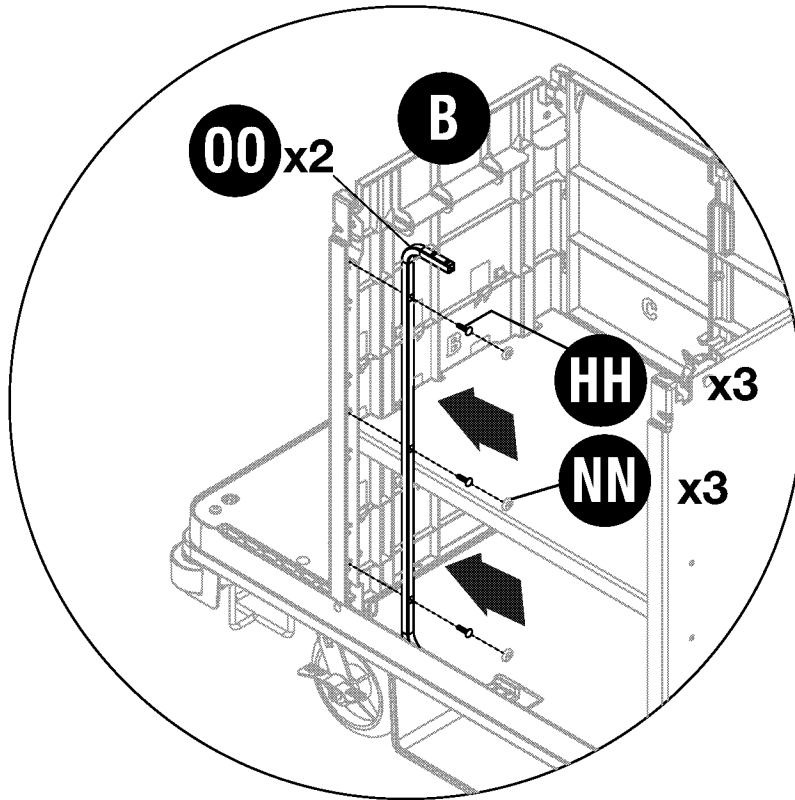
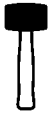
EN: Insert shelf (I) into cart at an angle in one of three positions.

11



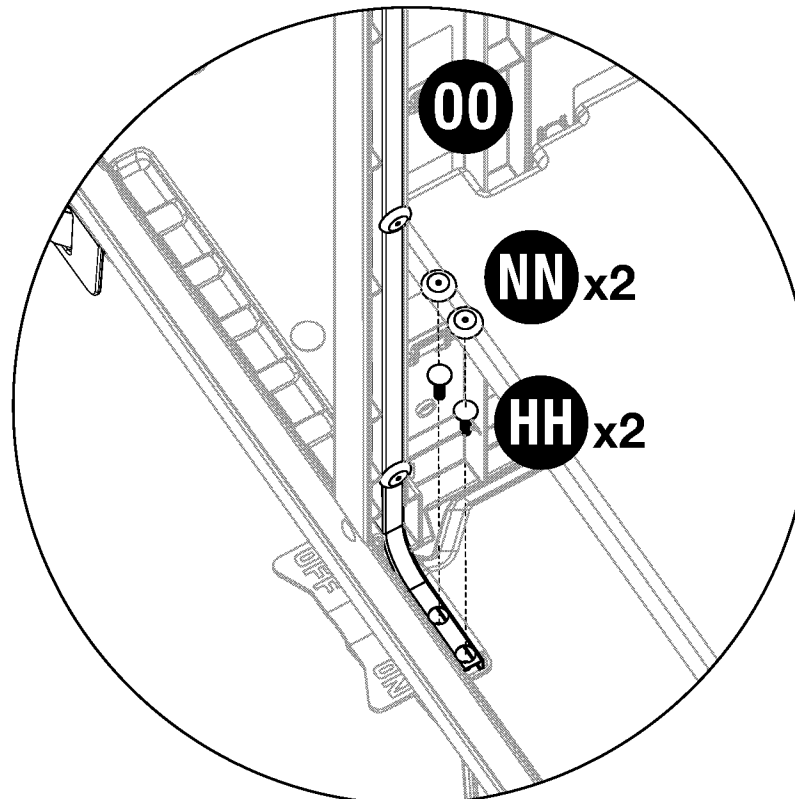
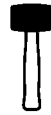
EN: Push down till sides of shelf engage with tabs on sides of cart. Attach shelf to sides using two screws (RR). Repeat other side.

12



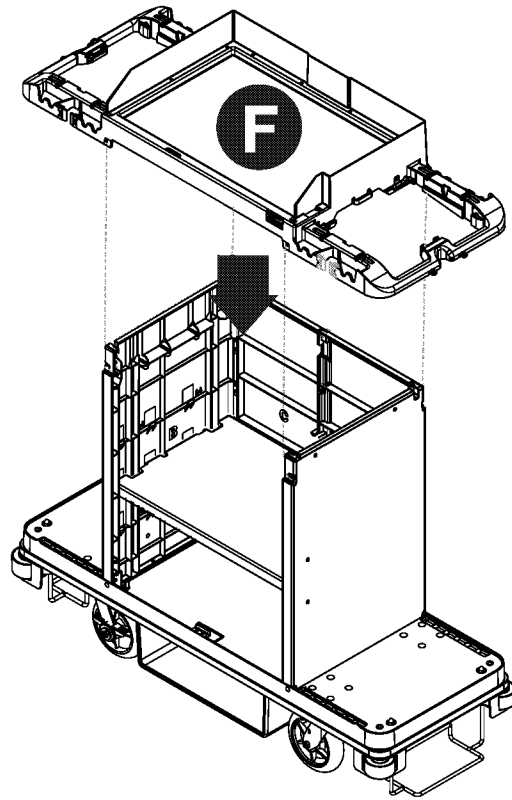
EN: Insert tube (OO) into pocket in (B) and attach using three screws (HH) and three caps (NN). Repeat on right side. Use a mallet to attach caps (NN).

13



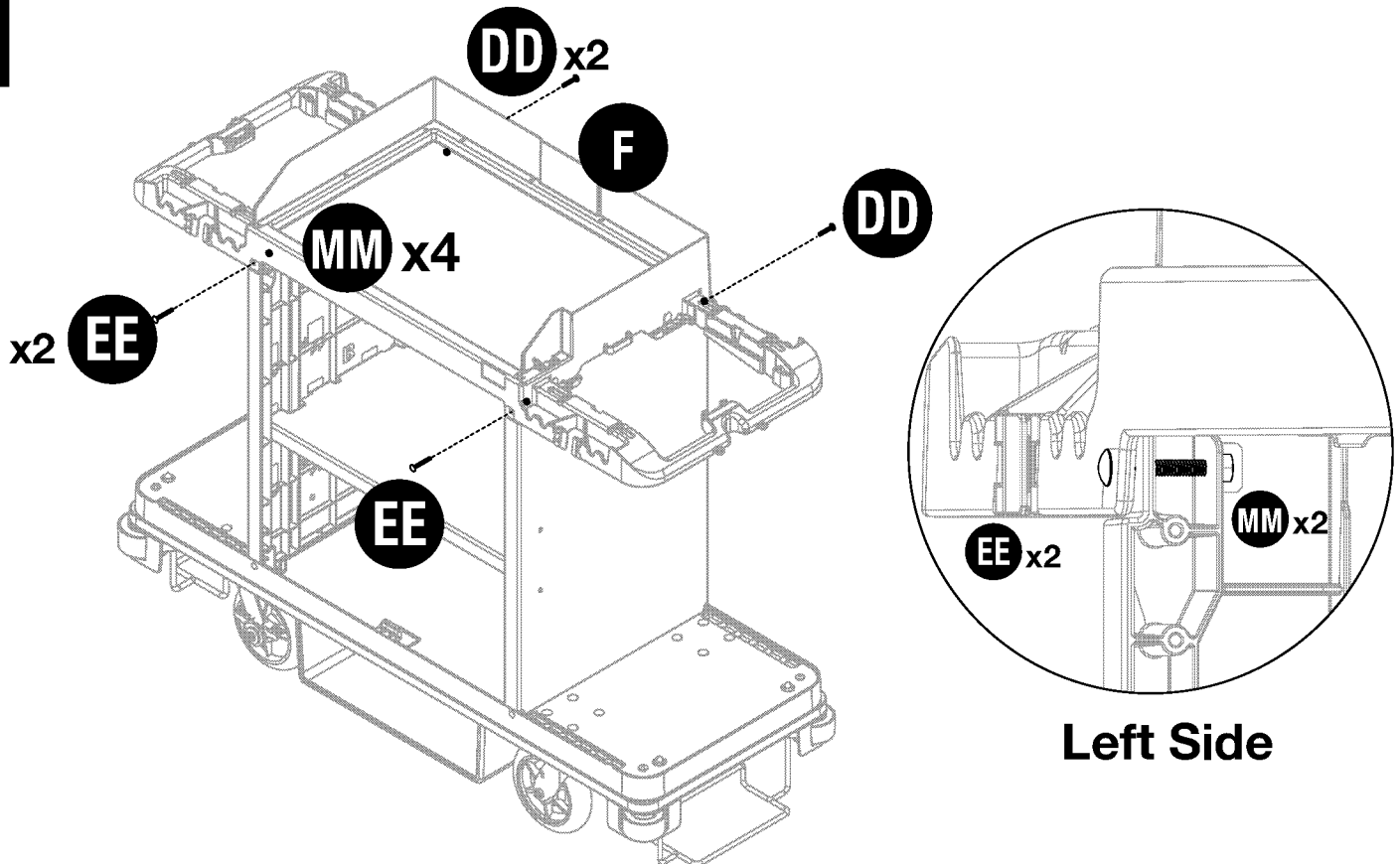
EN: Attach (OO) to bottom using two screws (HH) and two caps (NN). Repeat on right side. **Note:** Do Not attach top of tube (OO) to lid until after step (15). Use a mallet to attach caps (NN).


14



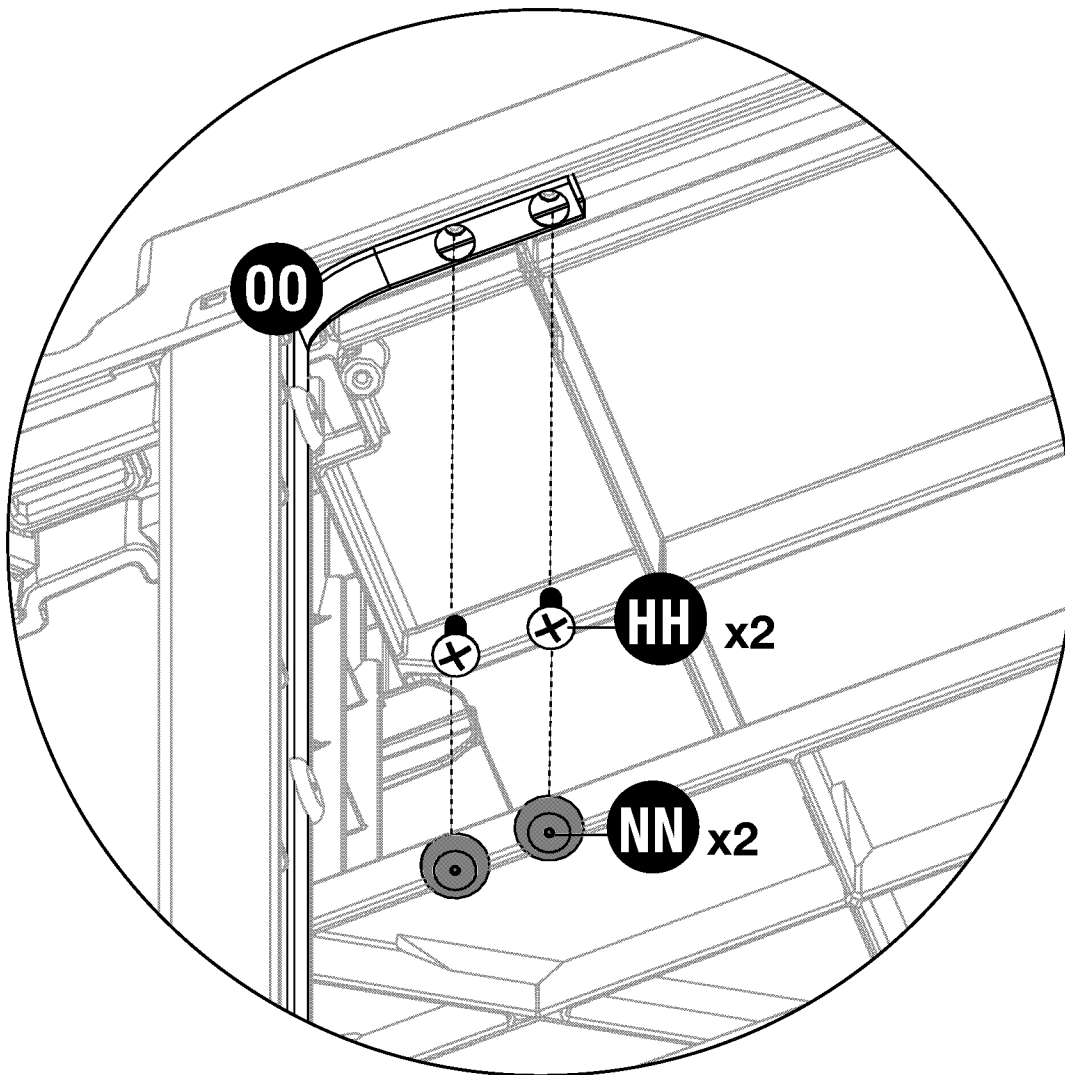
EN: Lower top (F) to top of cart.

15



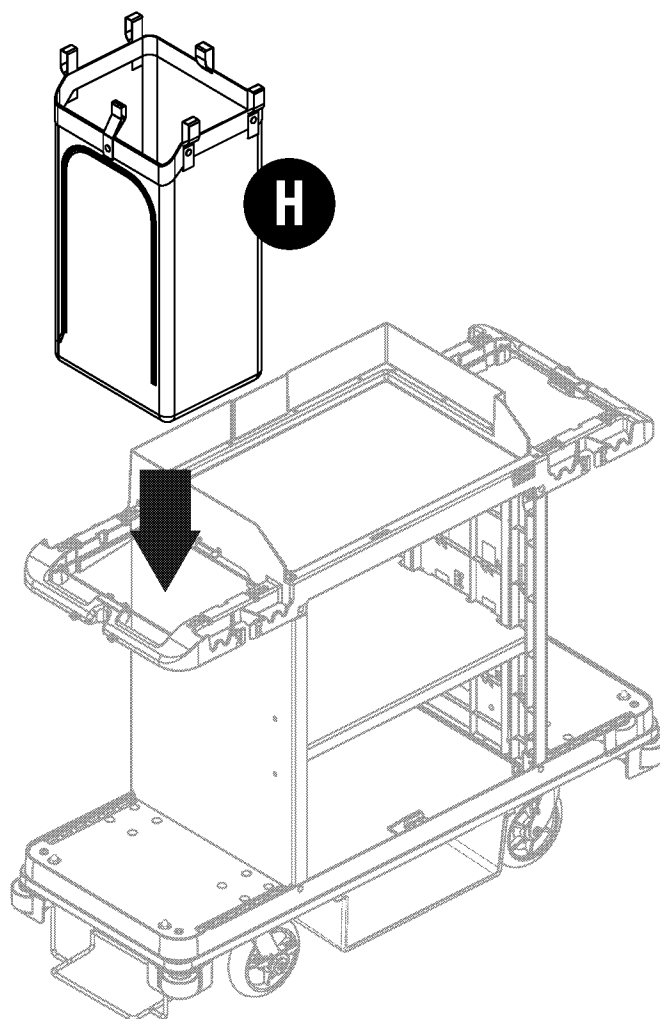
EN: To attach lid (F) insert screw (EE / DD) through lid and attach nut (MM) from underneath lid. **Note: Use supplied wrench *** 

16

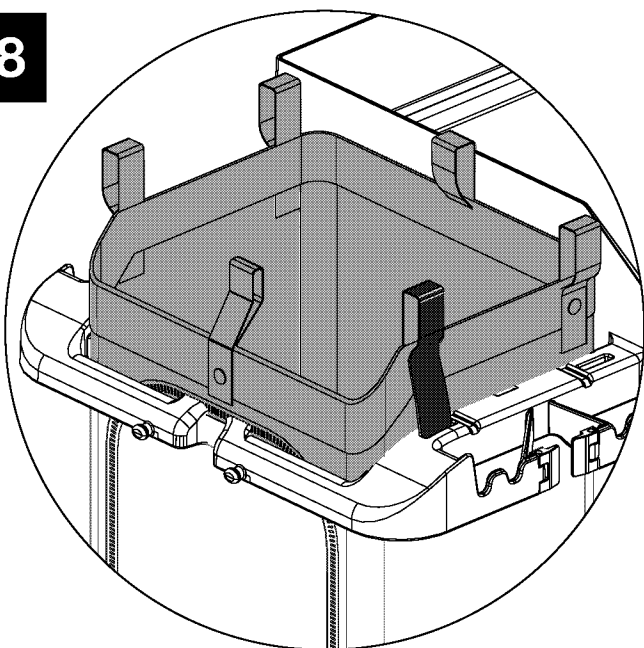


EN: Attach tube (00) top top using two screws (HH) and two caps (NN). Repeat right side. Use a mallet to attach caps (NN).

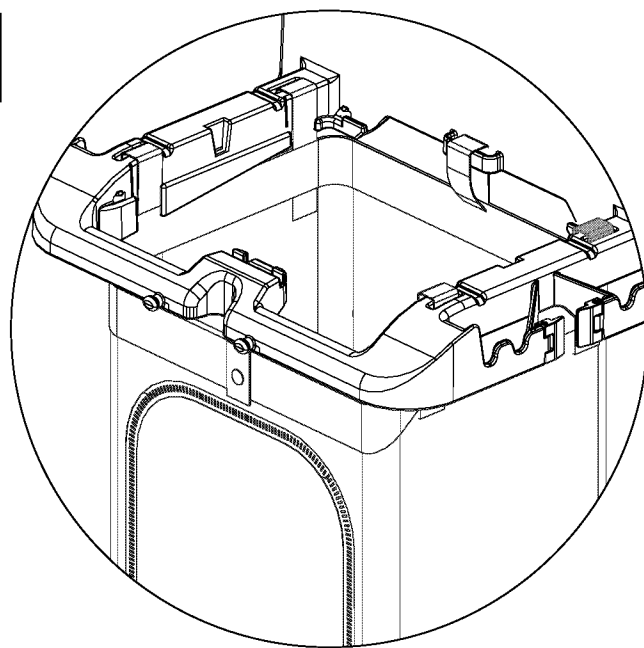
17



18

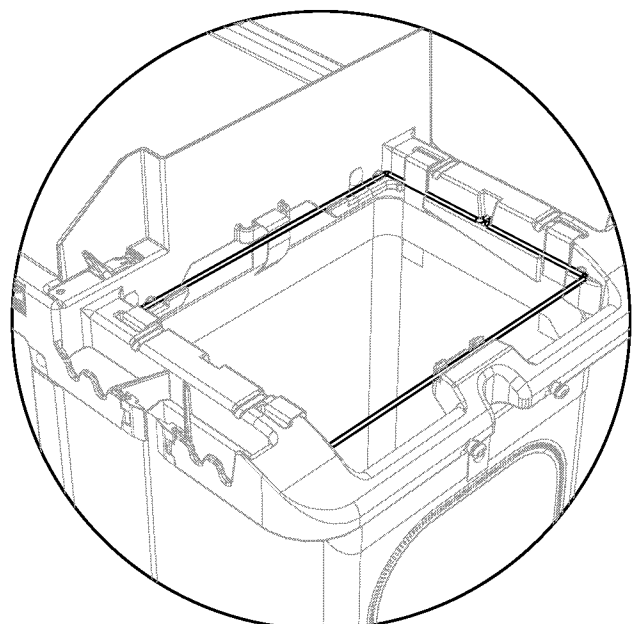
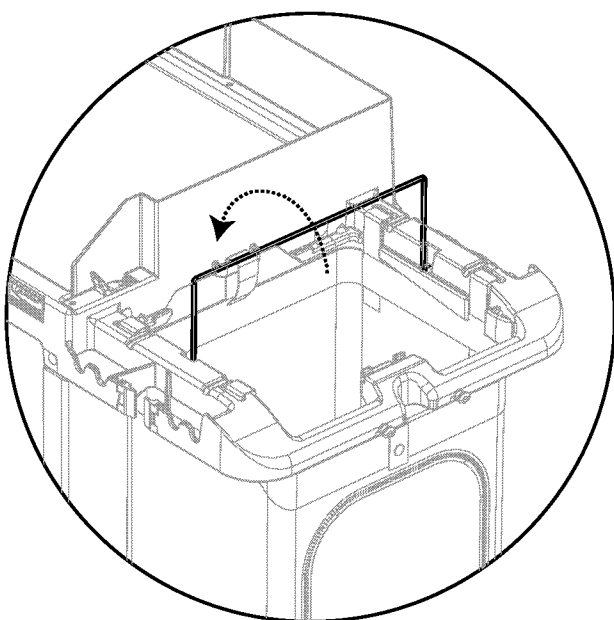
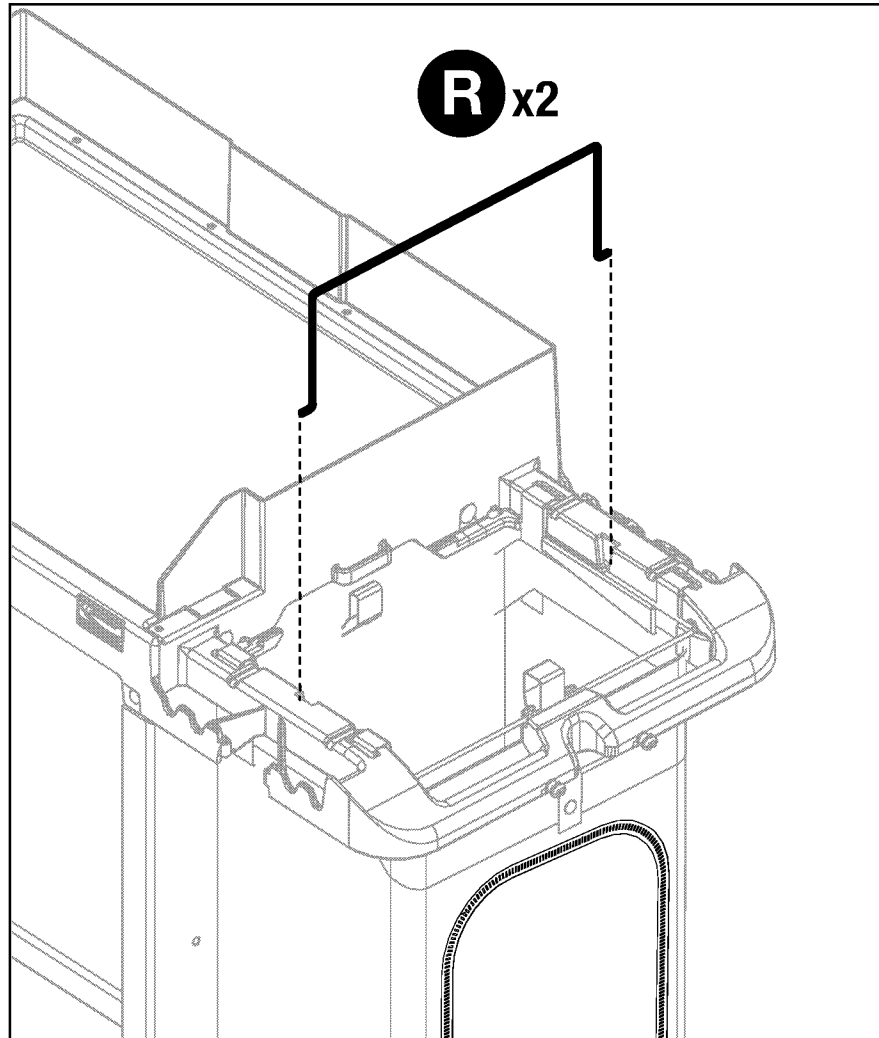


19



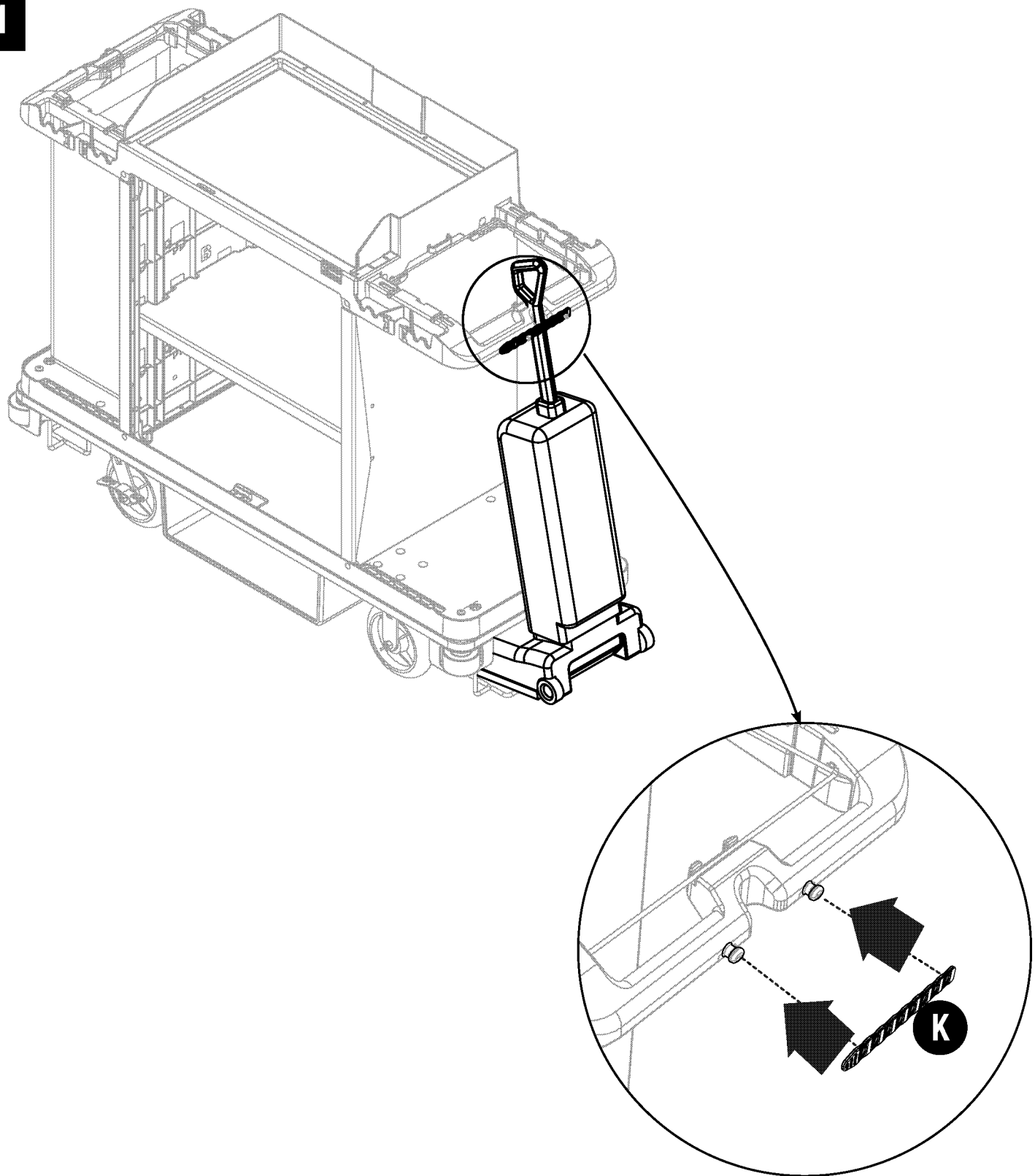
EN: Lower garbage bag (H) through frame of cart. Unsnap and feed through the six slots on frame. Re-snap the bag once strap is through each slot. **Note:** Bag can be switched to other side if necessary.

20



EN: Lower garbage bag rim (R) and insert into two center slots provided. Guide rim into position. Repeat with right rim. **Note:** Rims can be put on both sides.

21



EN: Attach rubber strap (K) over two knobs on side of cart to secure vacuum cleaner. Vacuum cleaner is not included.

