

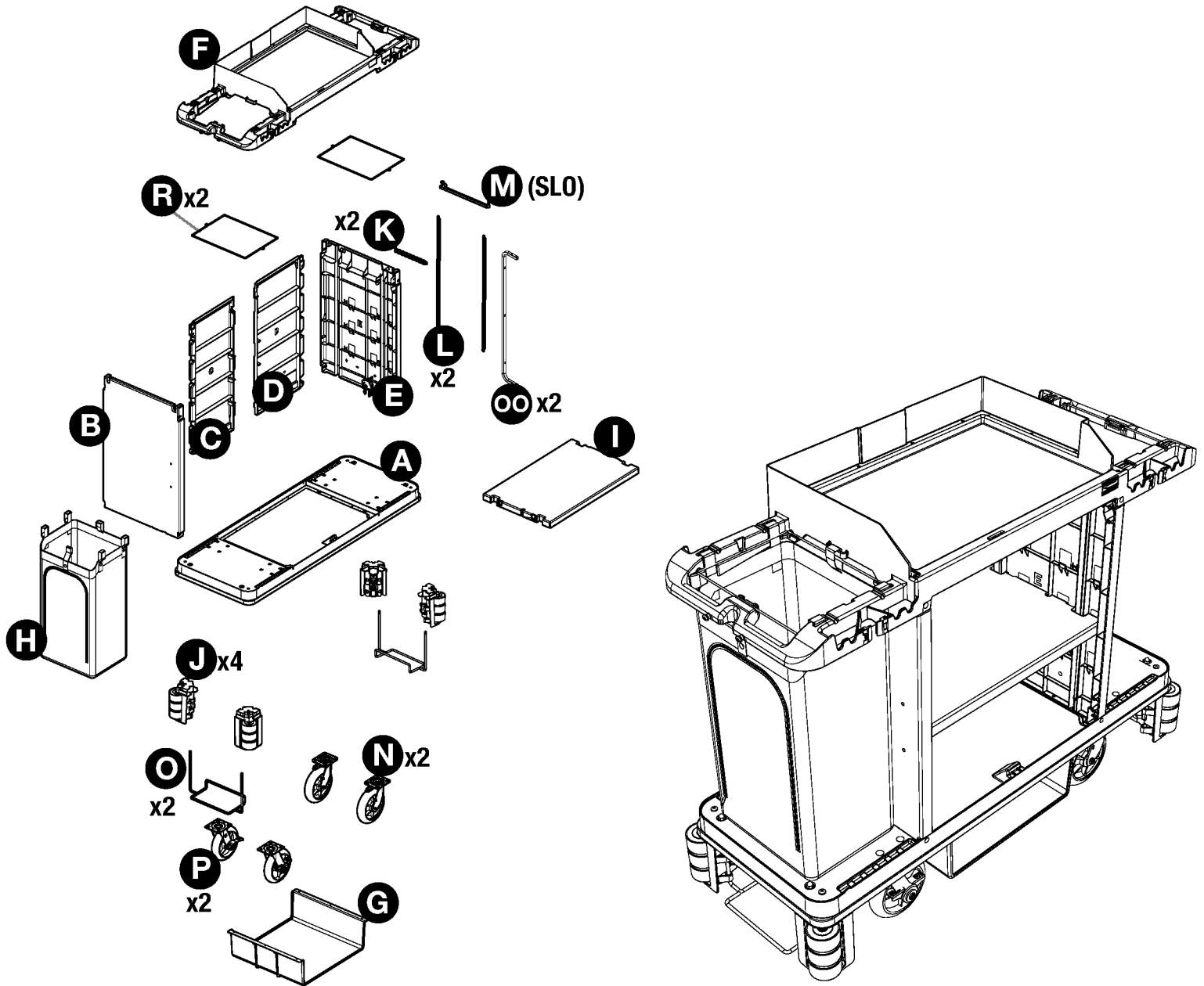
To learn about other Suncast products, please call 1-855-477-1260 or 1-630-879-2050.



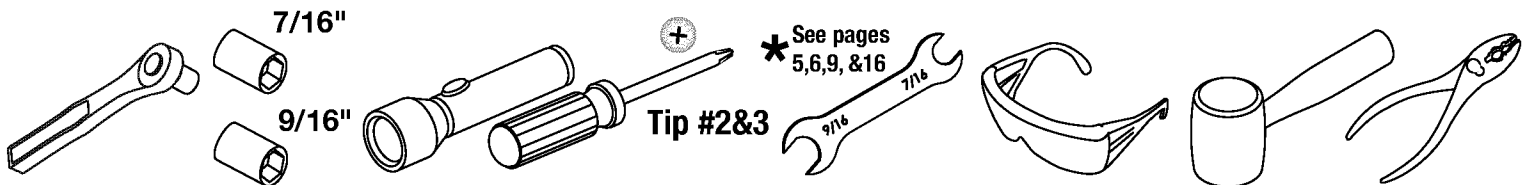
Product Feedback? Go To: Suncastcommercial.com/feedback OR email us at: feedback@suncastcommercial.com

ITEM NUMBER: HKC2000

PARTS



TOOLS NEEDED





BEFORE YOU BEGIN

- **Read instructions thoroughly prior to assembly.**

This kit contains parts that can be damaged if assembled incorrectly or in the wrong sequence.

- **Please follow instructions.**

Suncast is not responsible for replacing parts lost or damaged due to incorrect assembly.

- **Assistance is required during parts of the assembly.**

IMPORTANT

OPEN ALL BOXES FIRST AND NEATLY LAYOUT PARTS. SMALL PARTS MAY BE CONTAINED IN EACH BOX. PLEASE REFERENCE THE PARTS LIST WITHIN THIS MANUAL TO VERIFY ALL PARTS ARE PRESENT.



CAUTION

- Not intended for usage by children.
- This product may become susceptible to impact damage in freezing temperatures.
- Do not store near excessive heat.
- Exercise caution when moving fully loaded product. This product is not intended for transporting heavy objects.
- Do not store items on top.

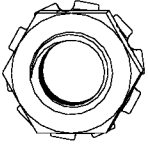
CARE AND CLEANING

- To maintain the look of your product, we recommend cleaning it each year with mild soap and water. **DO NOT** use bleach, ammonia, or other caustic cleaners, and **DO NOT** use stiff bristle brushes. Failure to perform annual cleaning could result in permanent staining of the plastic. This is not a manufacturing defect and is not covered under warranty.

0480435A

0671174A

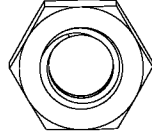
JJ



0631458
3/8"-16 inch
nut
x7

0671211

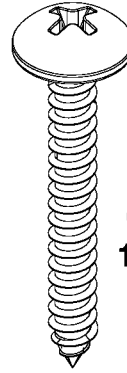
GG



0631869
3/8"-16 inch
locknut
x18

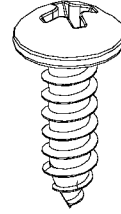
0671175A

QQ



0631903
1/4 x 1 1/2"
screw
x7

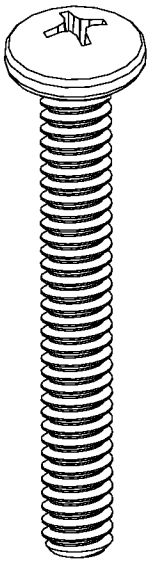
HH



0631506
1/4 x 3/4"
screw
x15

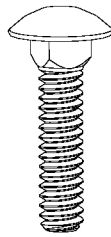
0671176

AA



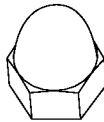
0631454
3/8" x 2 1/2"
Bolt
x5

CC



0631462
1/4" x 1"
Bolt
x2

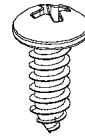
PP



0631508
3/8"-16
acorn nut
x5

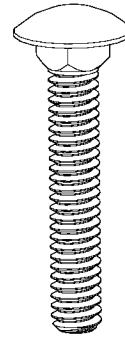
0671177

RR



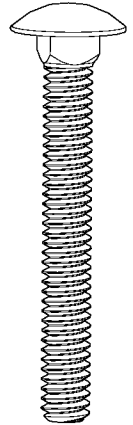
0631536
1/4" x 1/2"
screw
x5

DD



0631456
1/4" x 1 1/2"
Bolt
x5

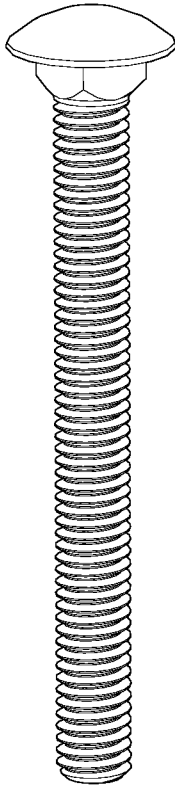
EE



0631457
1/4" x 2"
Bolt
x 5

0480412B

FF

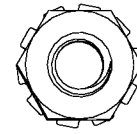


0631455
3/8" x 3 3/4"
Bolt
x18

0480434A

0671178

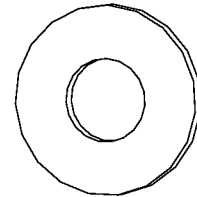
MM



0631459
1/4"-20 nut
x10

0671179A

KK



0631178
3/8"
washer
x5

0671180

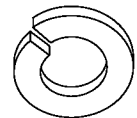
NN



0631535
cap
x16

06711216

SS

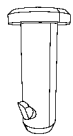


0631013
3/8" split washer
x18

0480436

0671172

II



0510874
.588"L
pin
x3

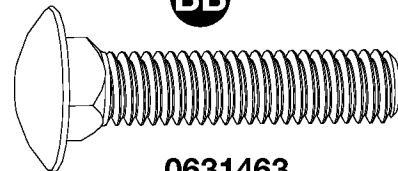
LL



0631452
.692 Long
Cotter Pin
x3

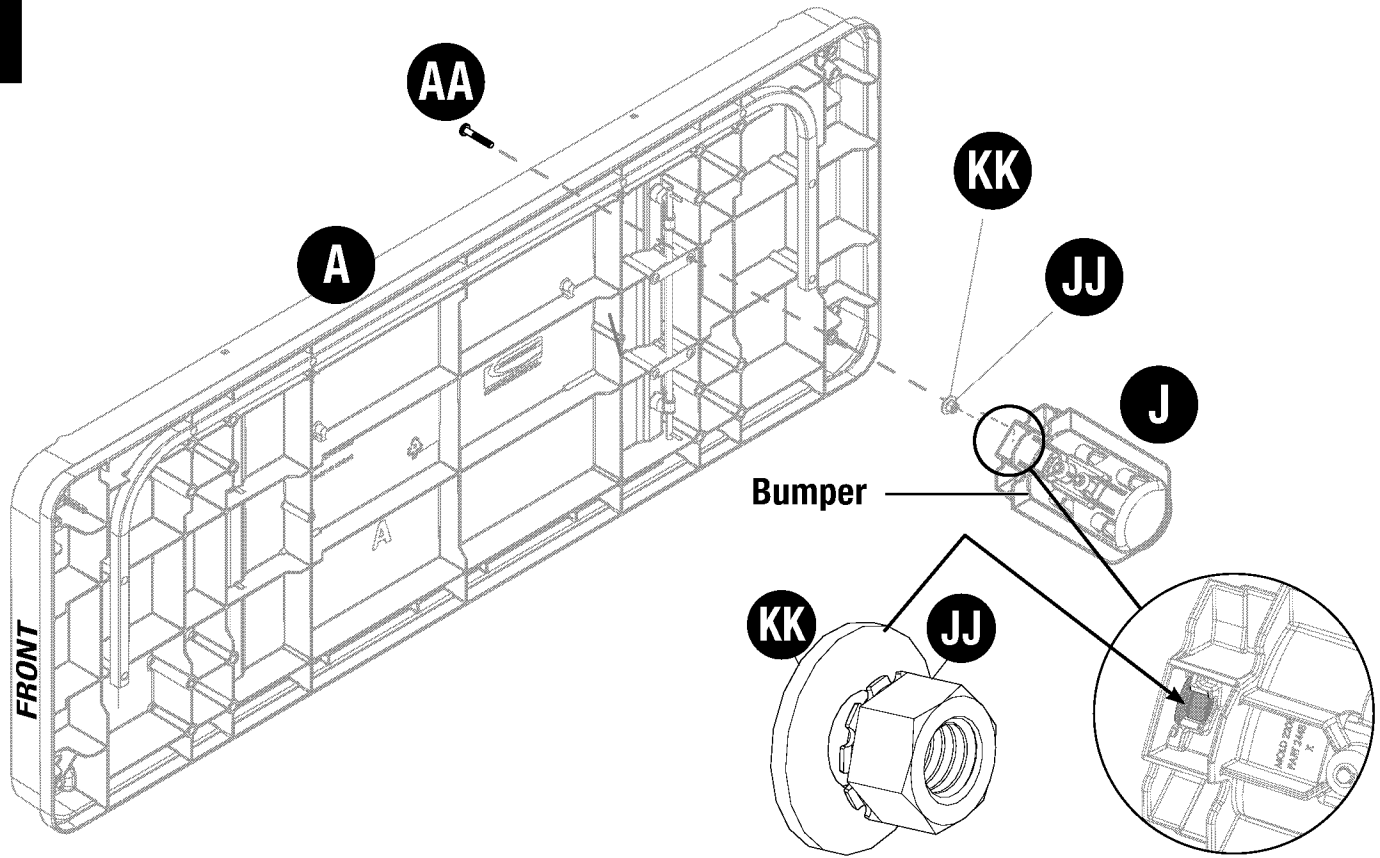
0671173

BB



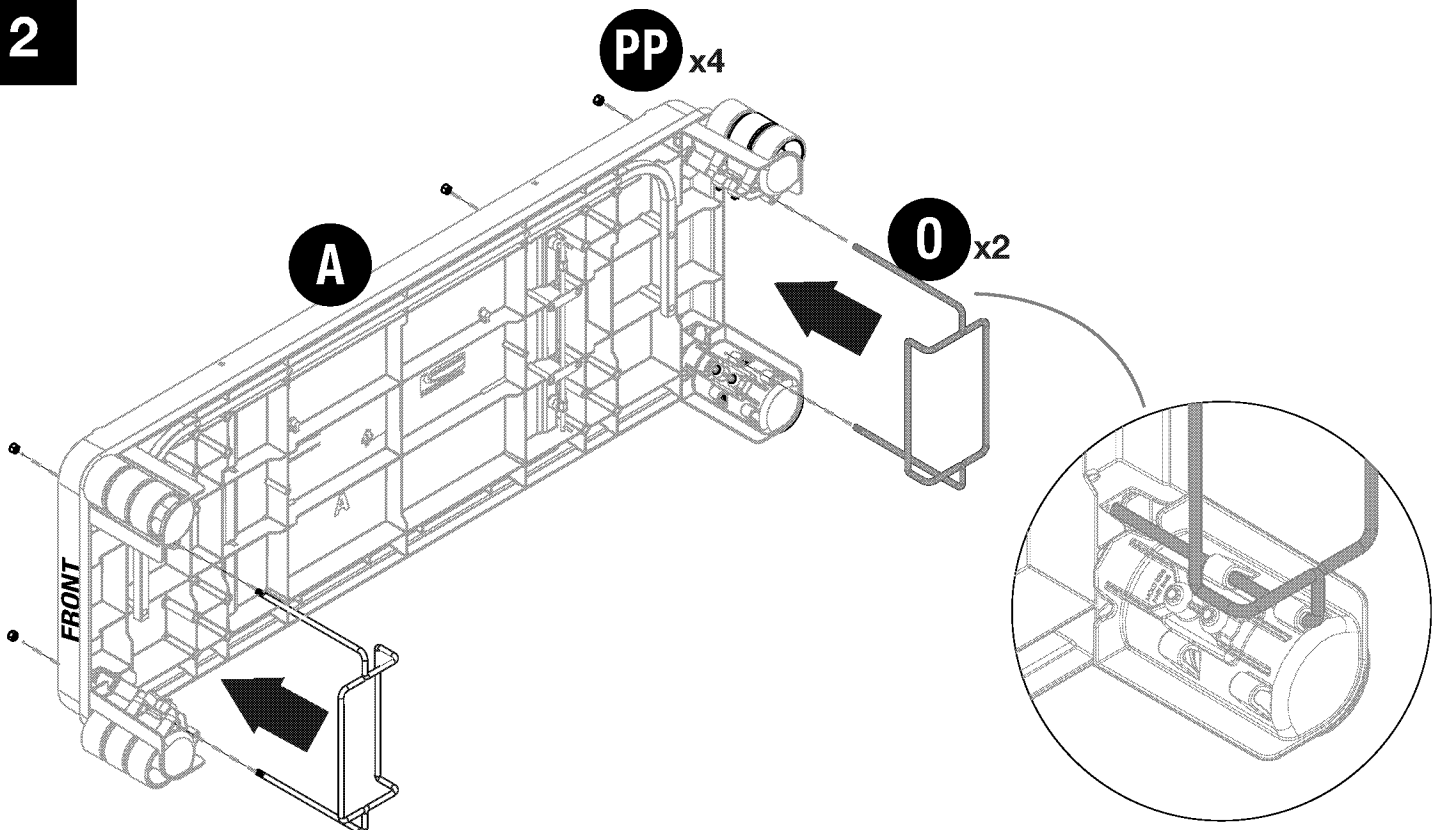
0631463
3/8" x 1 3/4"
Bolt
x3


1



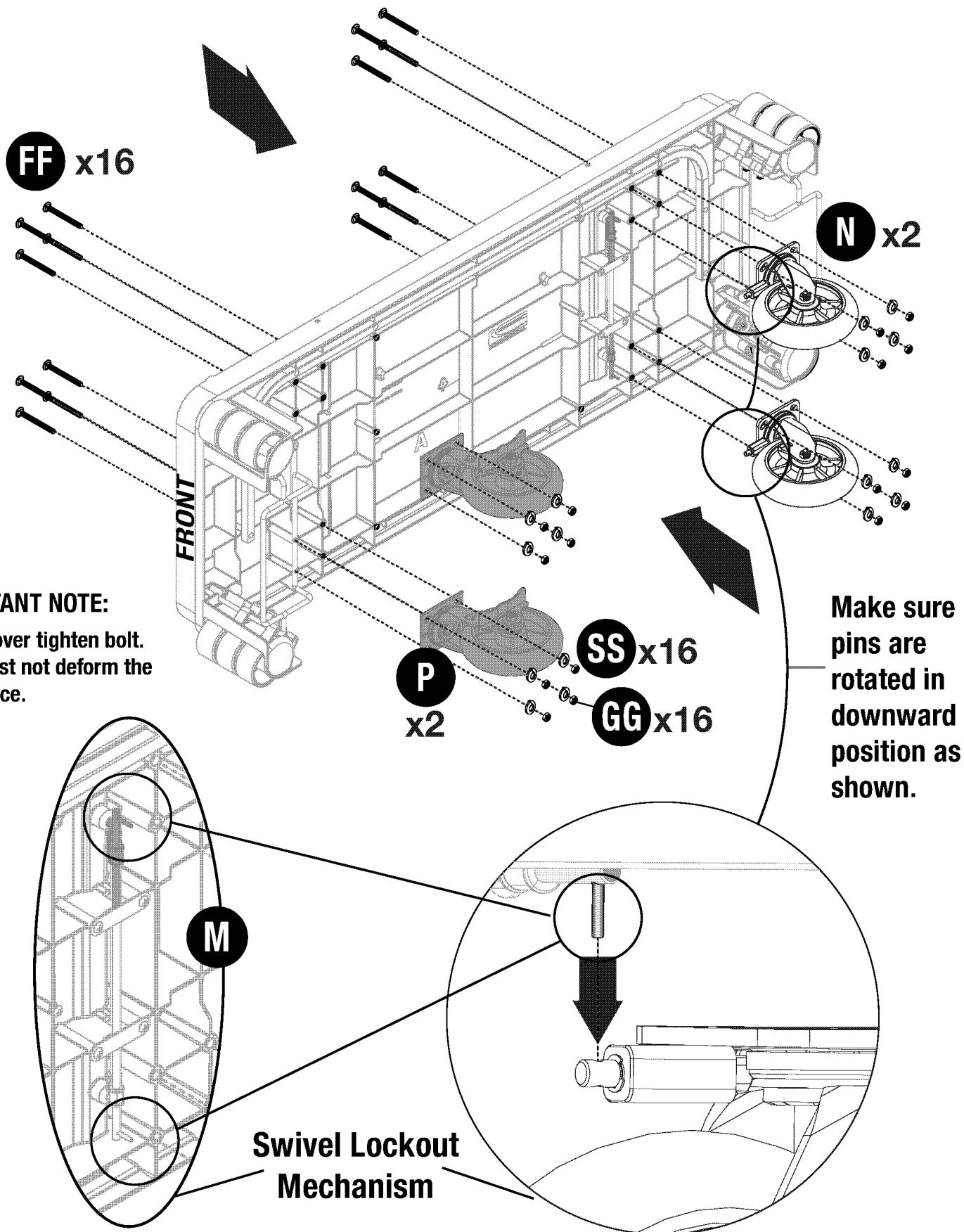
Insert both washer (KK) and nut (JJ) into slot inside bumper then attach to bottom (A) using bolt (AA). Repeat with other bumpers. Make sure nut is inserted all the way to allow bolt to thread through nut.

2



Insert vacuum rim (O) through inside holes on bumpers and through bottom (A). Attach from other side using Acorn nut (PP). Tighten nuts (PP). **Note: Use supplied wrench *** 

3



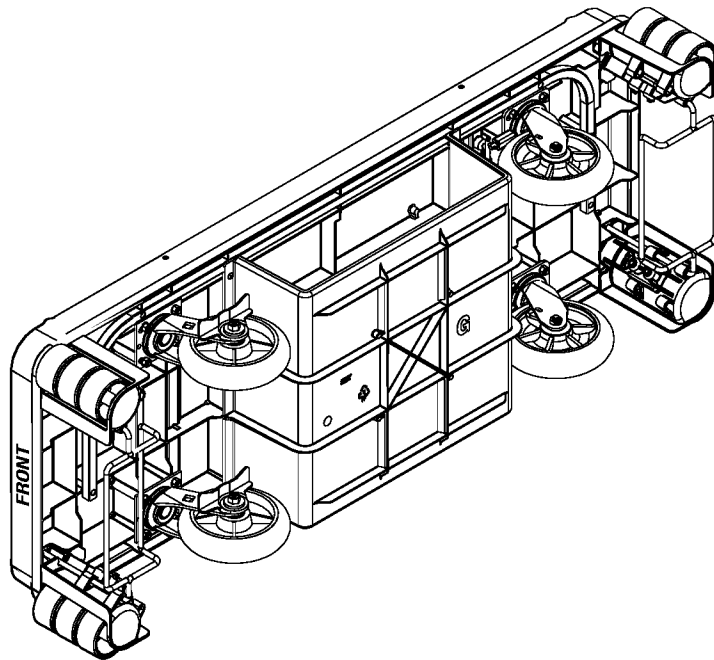
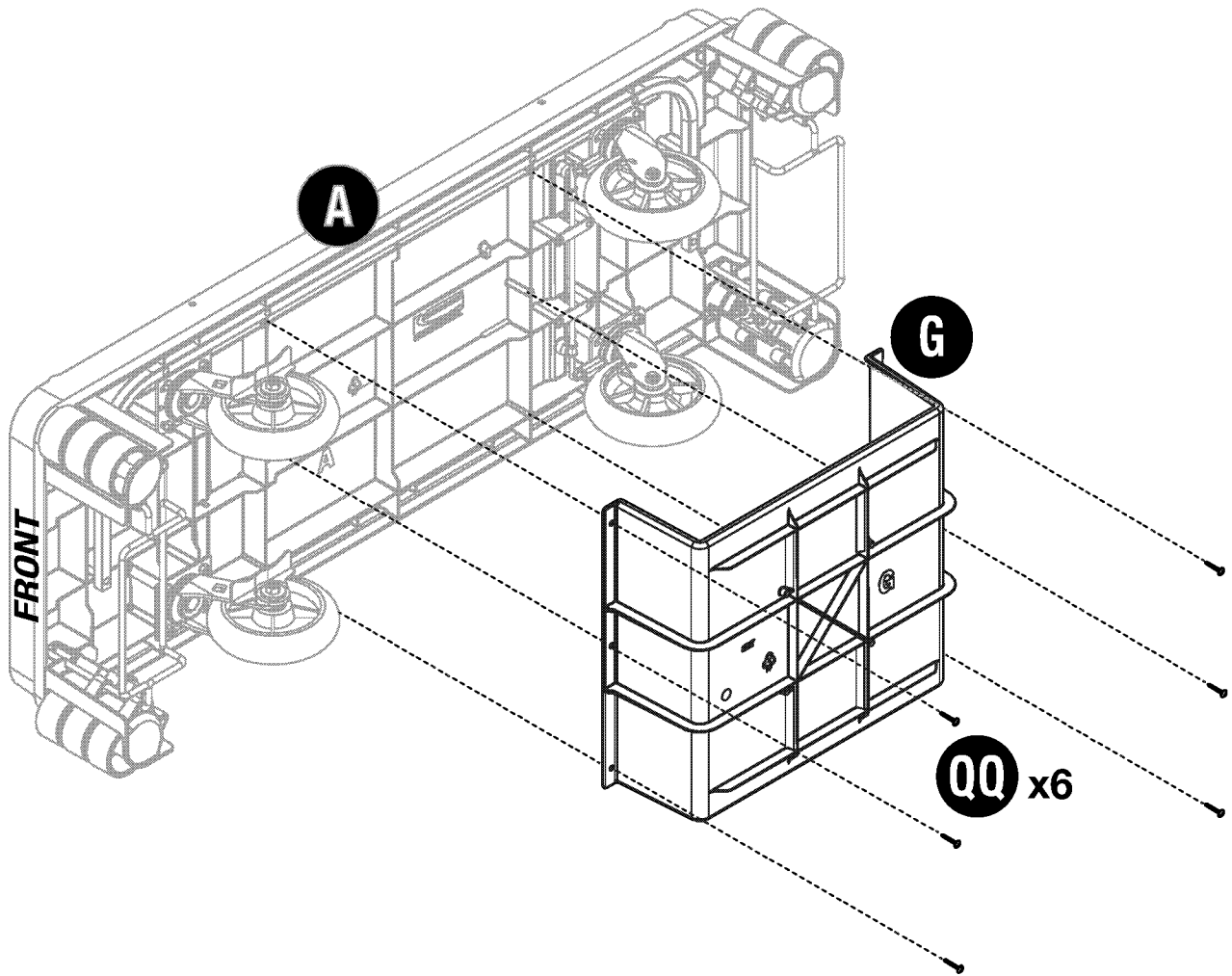
IMPORTANT NOTE:
DO NOT over tighten bolt.
Head must not deform the
top surface.

Make sure
pins are
rotated in
downward
position as
shown.

**Swivel Lockout
Mechanism**

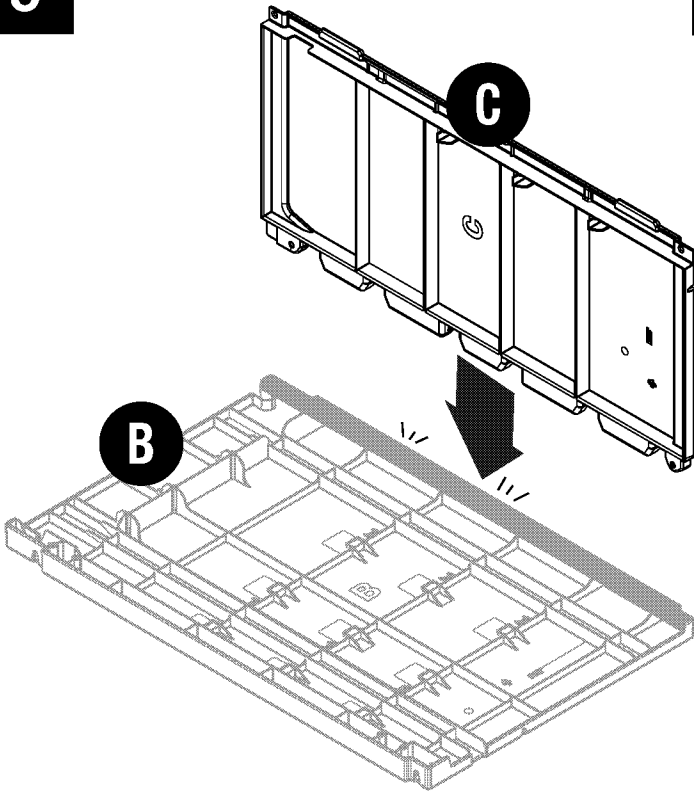
Attach front/back casters (P and N) to under side of cart using sixteen bolts (FF), sixteen washers (SS) and sixteen nuts (GG). Braking casters (P) attach to front and Swivel lockout casters (N) attach to the back. While attaching the back casters make sure to line up Swivel Lock Out Mechanism (M) with hole on caster. **Note: Use supplied wrench ***

4

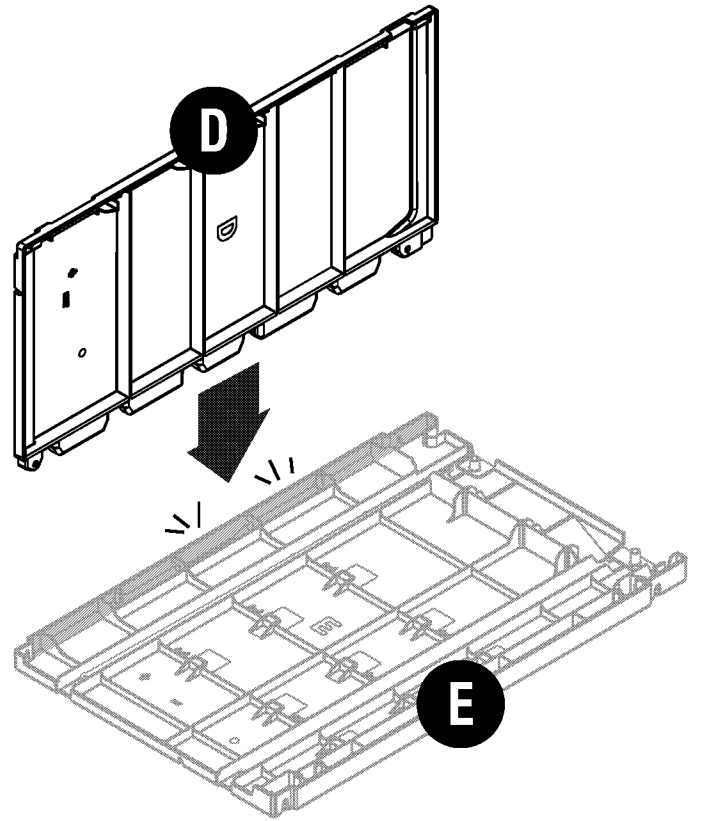


Attach dish rack (G) to bottom of the cart (A) using six screws (QQ).

5

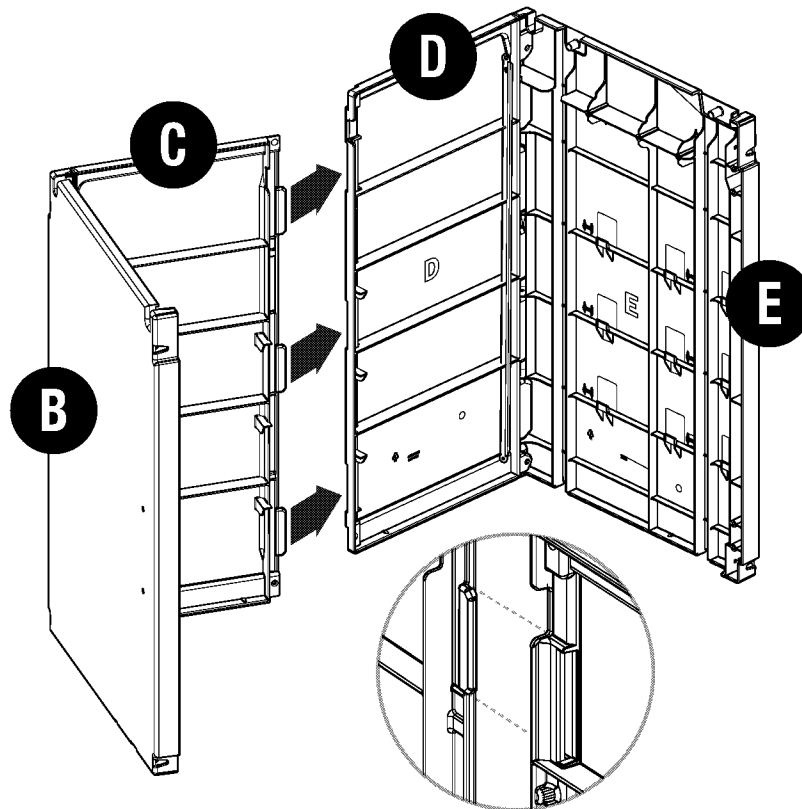


6



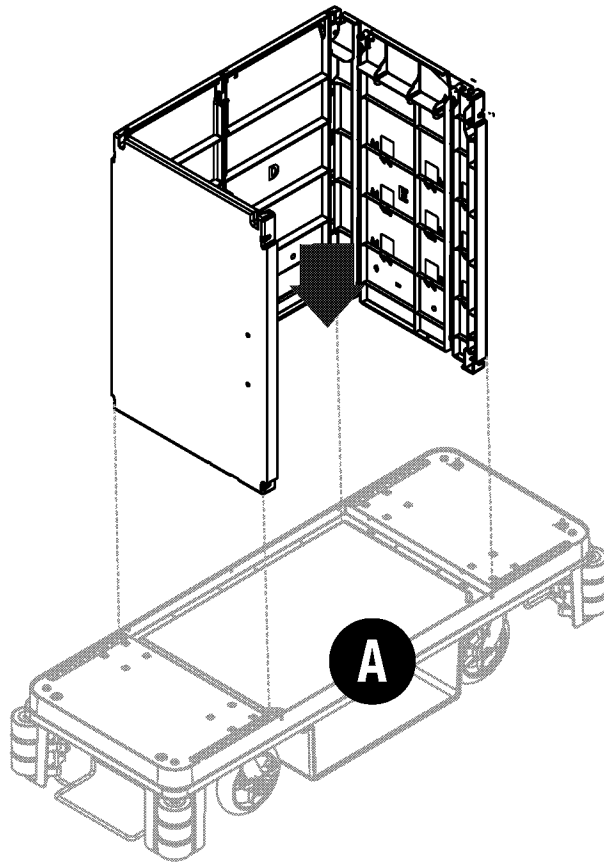
Insert back left panel (C) into left side panel (B) until secure. Insert back right panel (D) into right side panel (E) until secure.

7



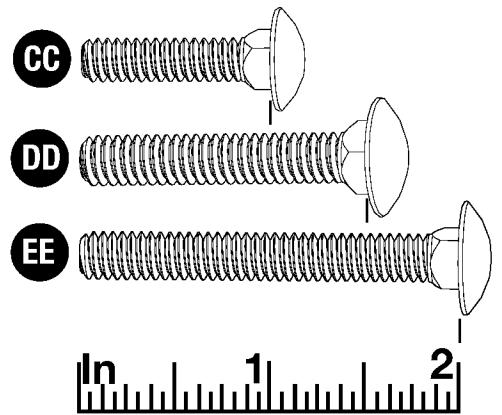
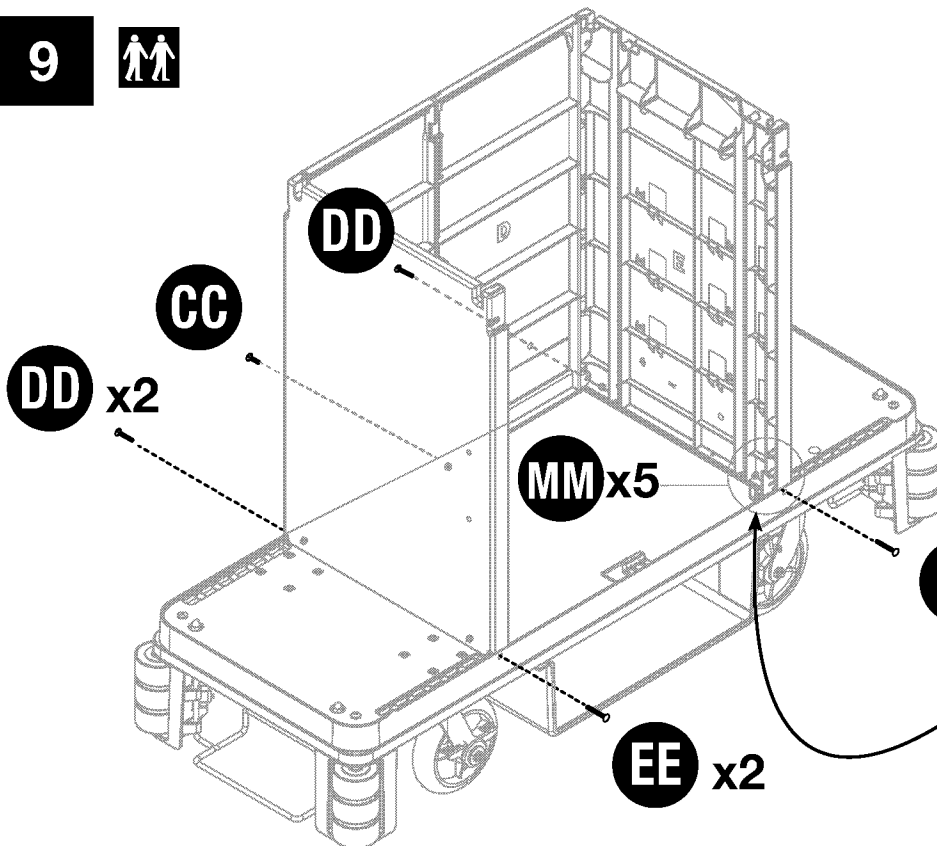
Insert Left back panel tabs (B/C) into slots on right back panel (D/E) on an angle and push together.

8



Lower assembled panel down onto top of cart (A). Place in center rectangular area.

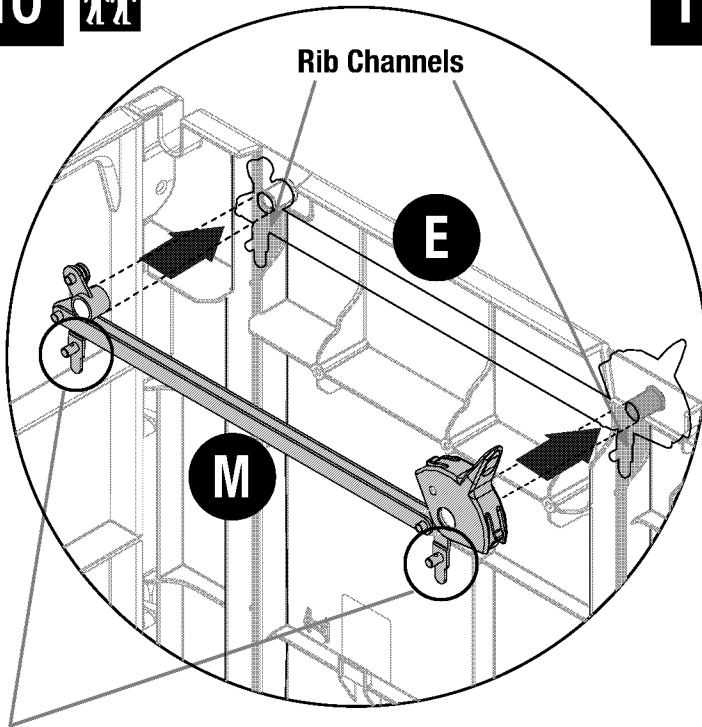
9



Attach sides to cart in four corners and center using five screws (CC / DD / & EE) and five nuts (MM).

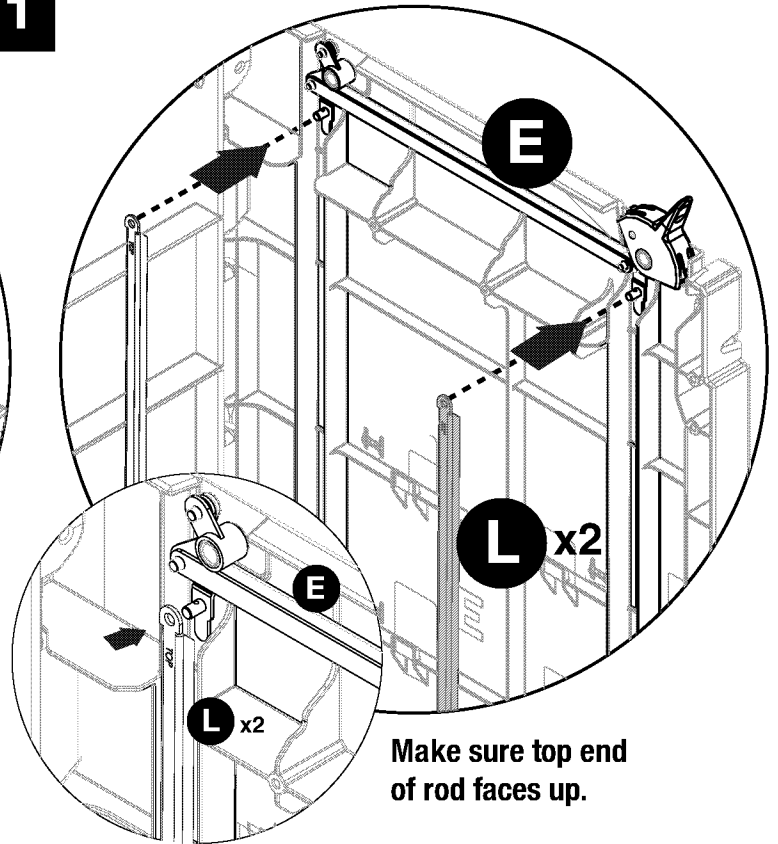
Note: Use supplied wrench * 

10



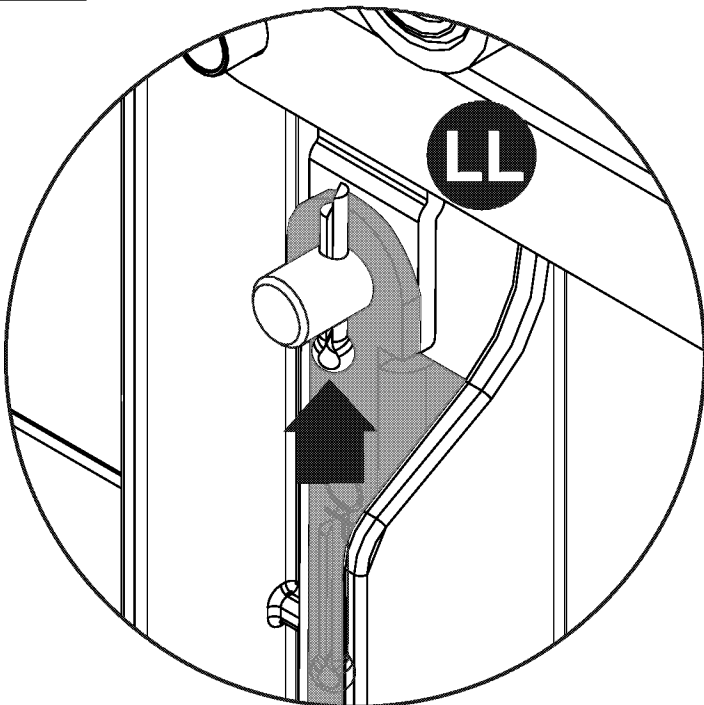
Important:
Make sure these legs fall within rib channels

11

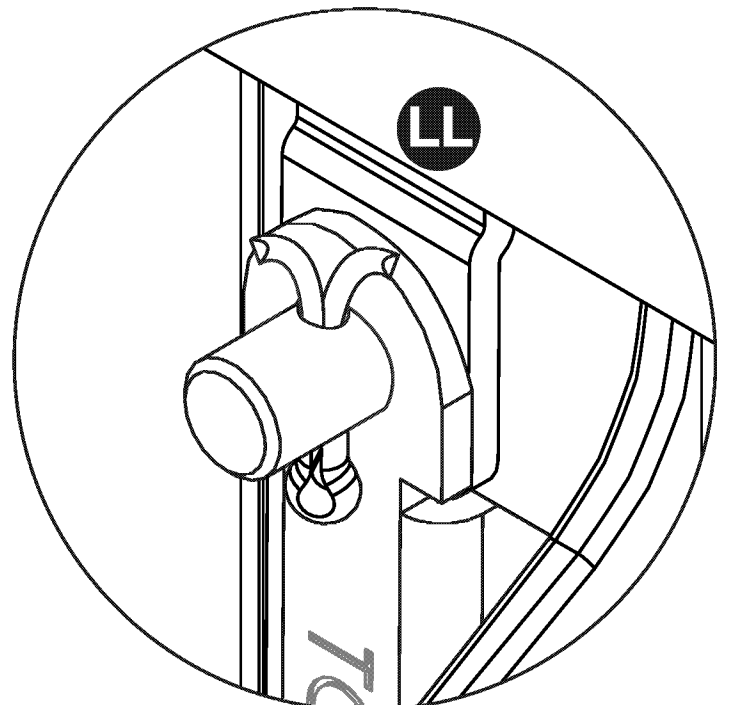


Make sure top end of rod faces up.

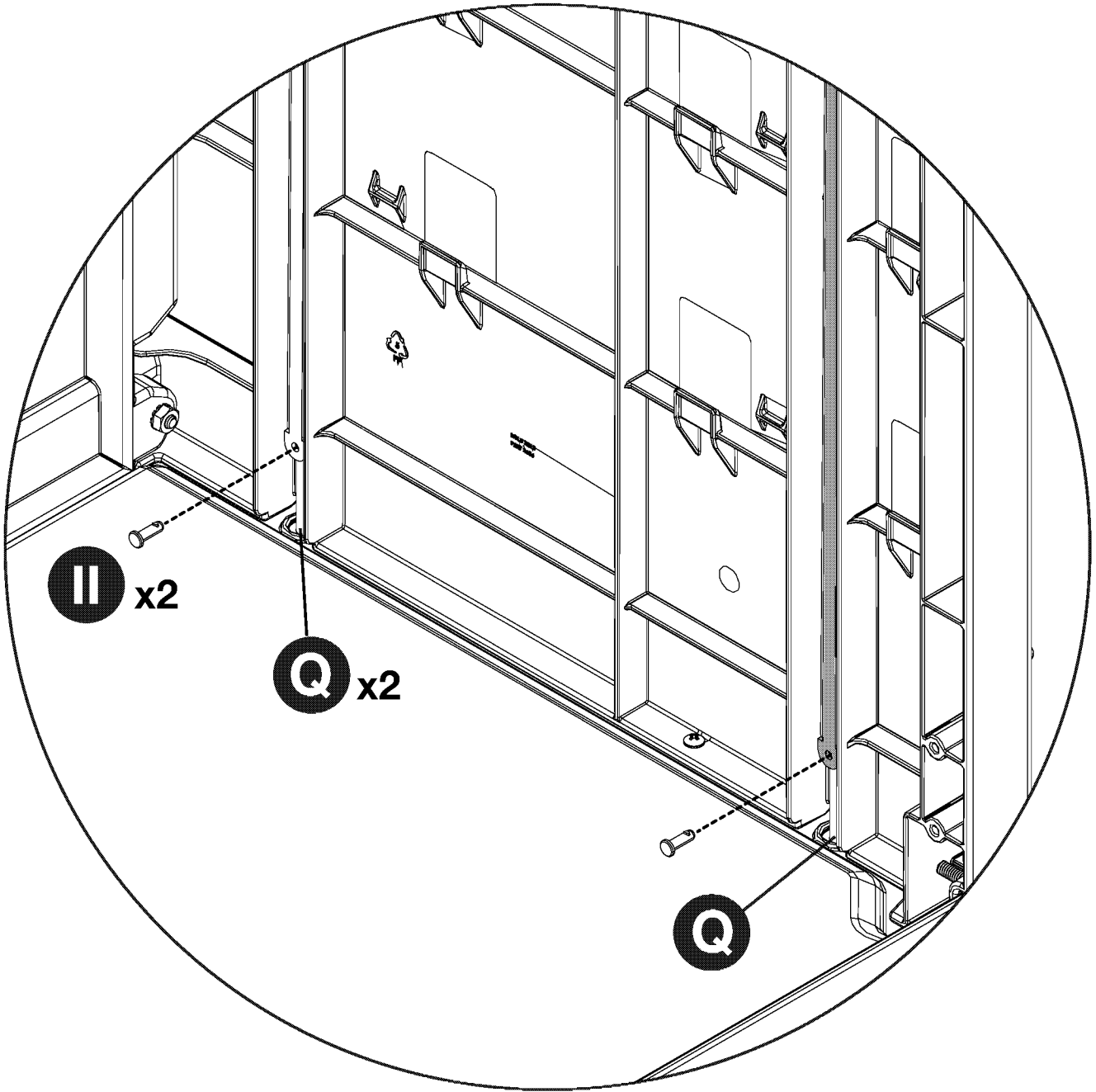
12



13



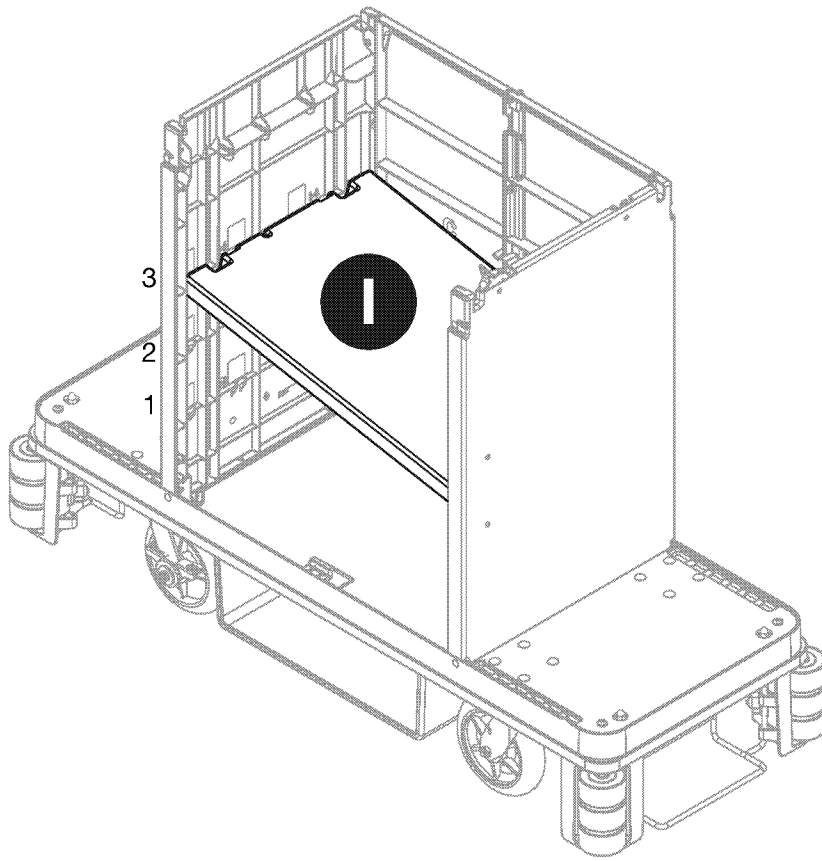
Insert two holes on Swivel Lockout Mechanism (M) onto two pegs on side panel (E). Slide linkage arm (L) onto pin using the side with the larger hole also stamped "top". Slide all the way to the back. Attach by placing cotter pin (LL) through hole. Fold Cotter pin over using a needle nosed pliers. Repeat other side.



**Bottom
Right Side Panel**

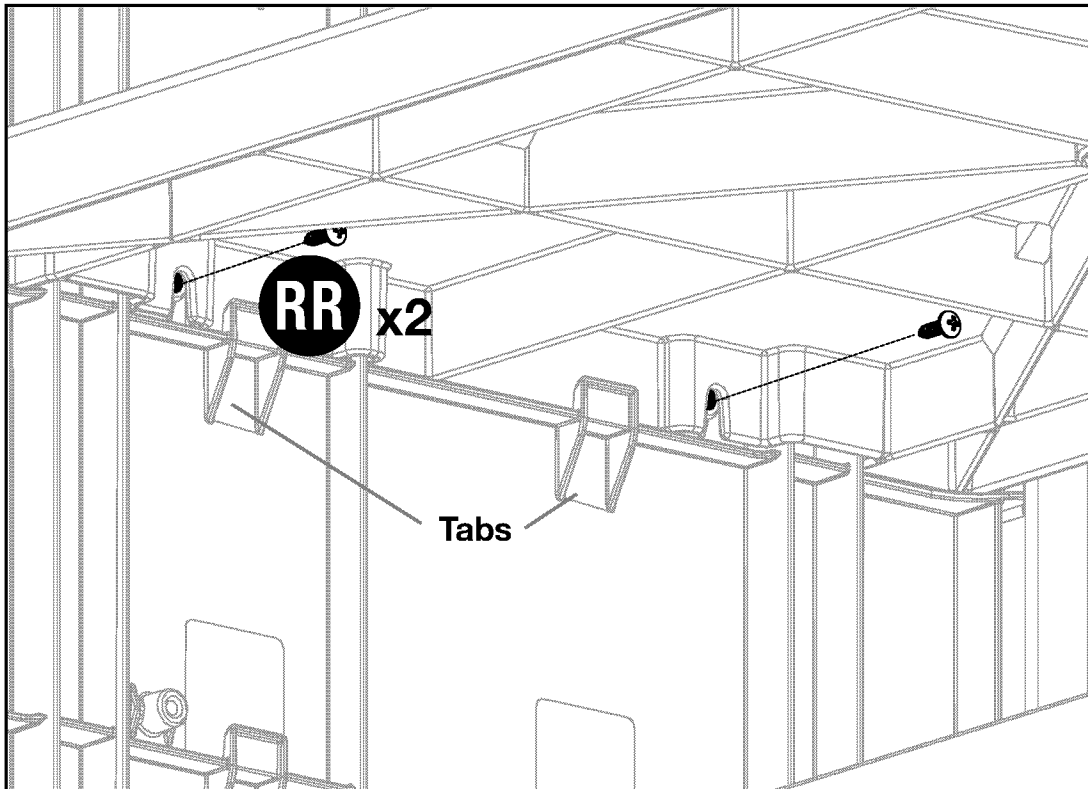
Attach lower Swivel Lockout Bar (Q) (Refer to step 3 for reference) to linkage arm (L) using pin (II). Repeat other side. **NOTE:** You may have to hold upper Swivel Lockout Bar in place with one hand while attaching pin.

15



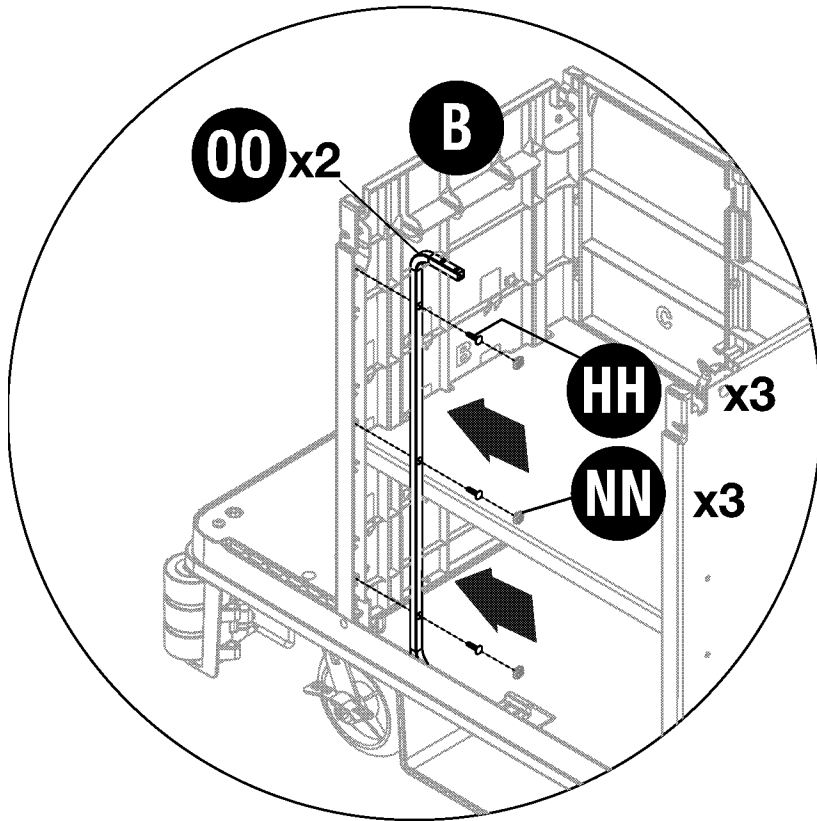
Insert shelf (I) into cart at an angle in one of three positions.

16



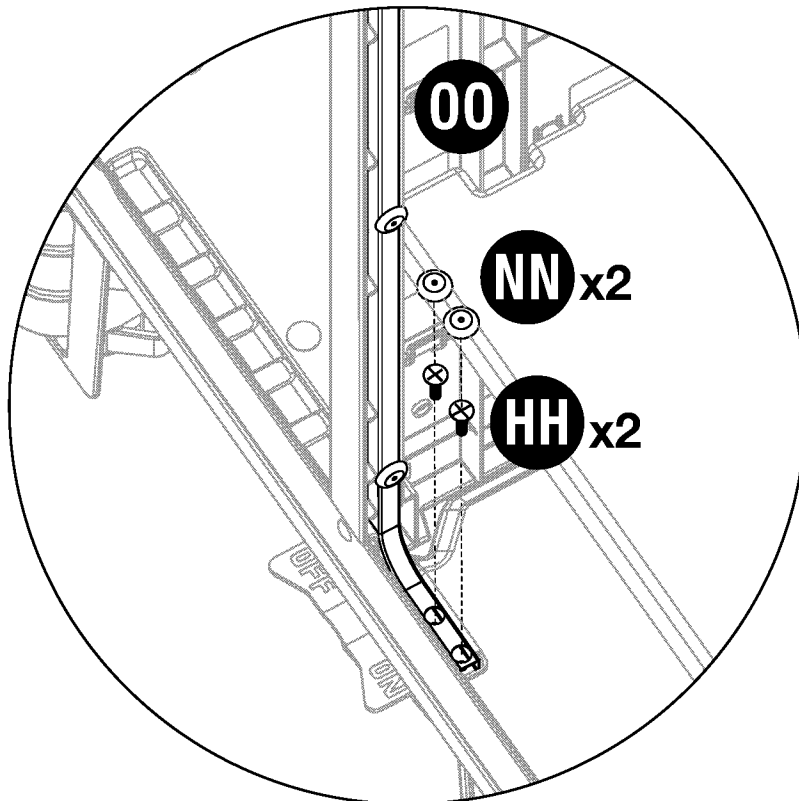
Push down till sides of shelf engage with tabs on sides of cart. Attach shelf to sides using two screws (RR). Repeat other side.

17



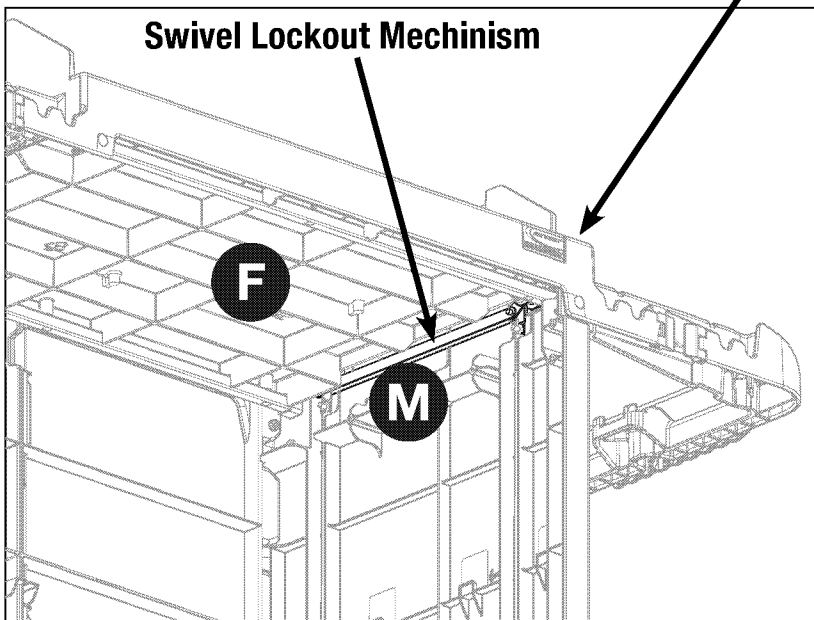
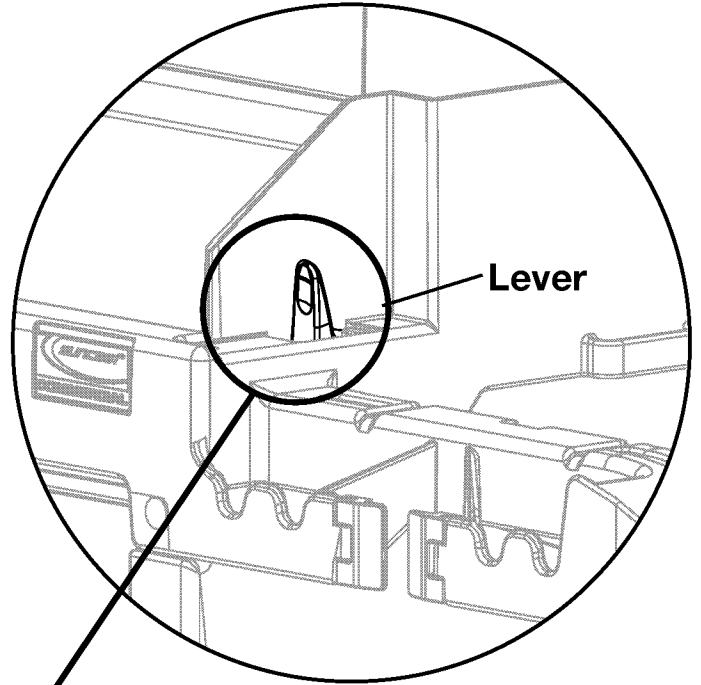
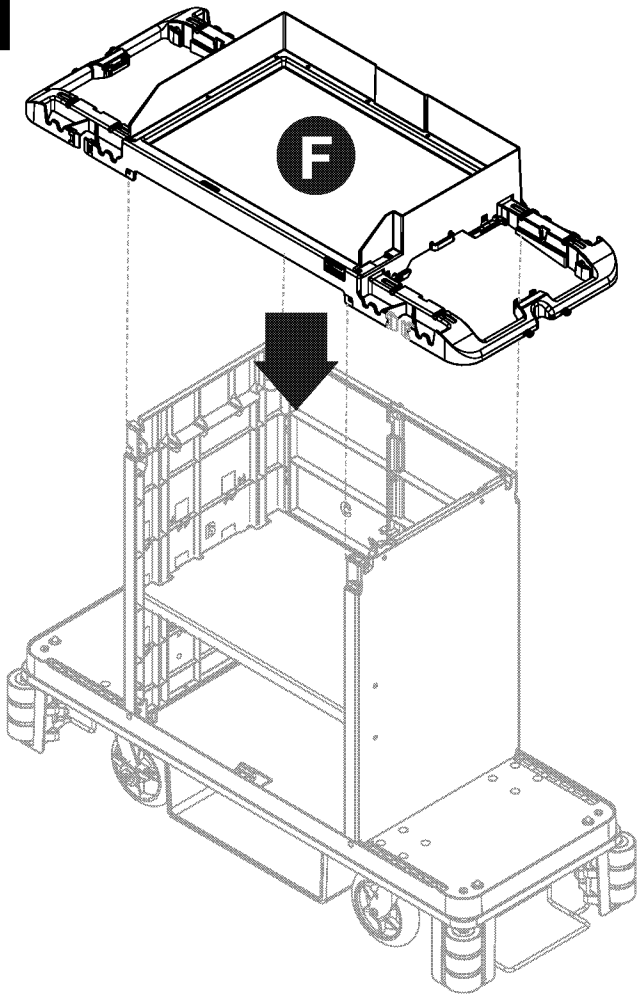
Insert tube (00) into pocket in (B) and attach using three screws (HH) and three caps (NN). Repeat on right side. Use a mallet to attach caps (NN).

18



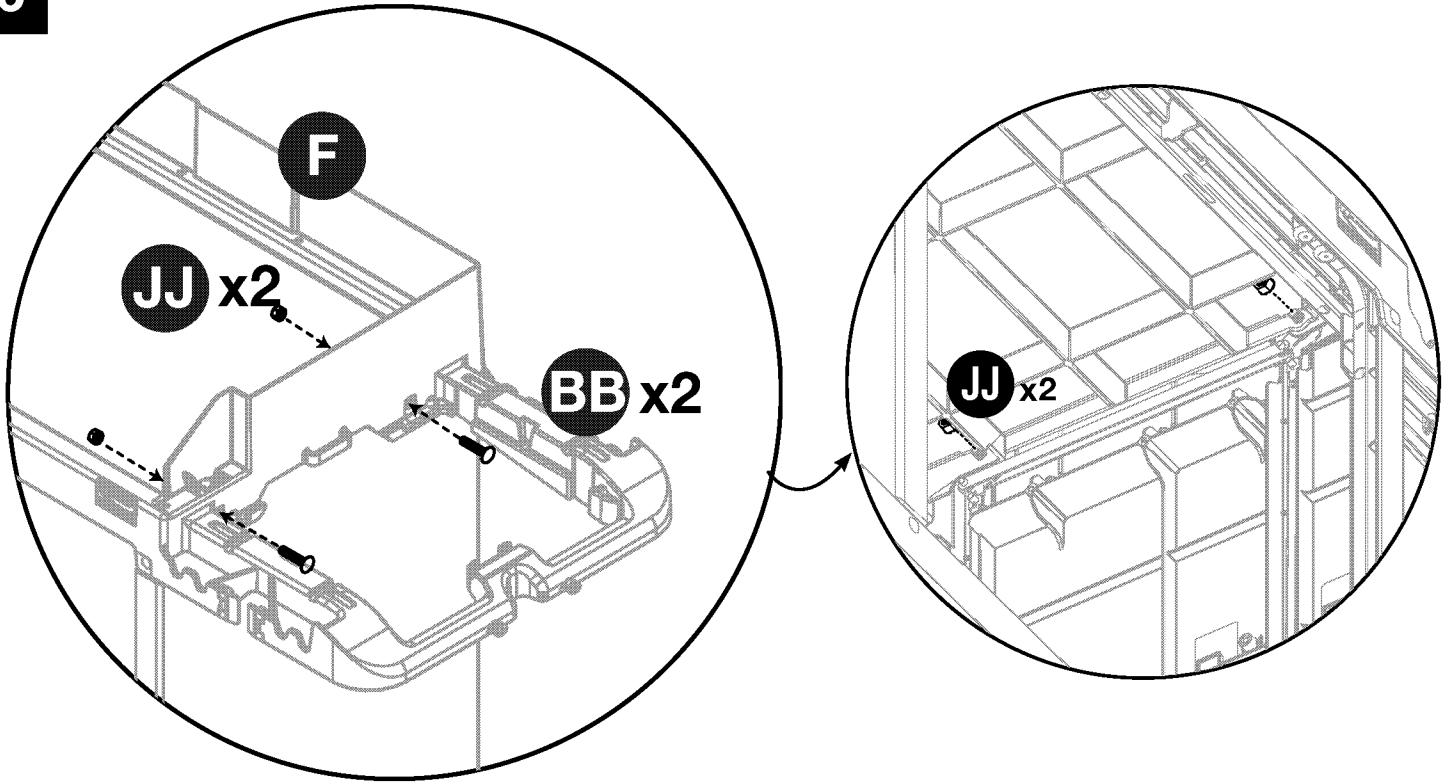
Attach (00) to bottom using two screws (HH) and two caps (NN). Repeat on right side. **Note:** Do Not attach top of tube (00) to lid until after step (21). Use a mallet to attach caps (NN).


19



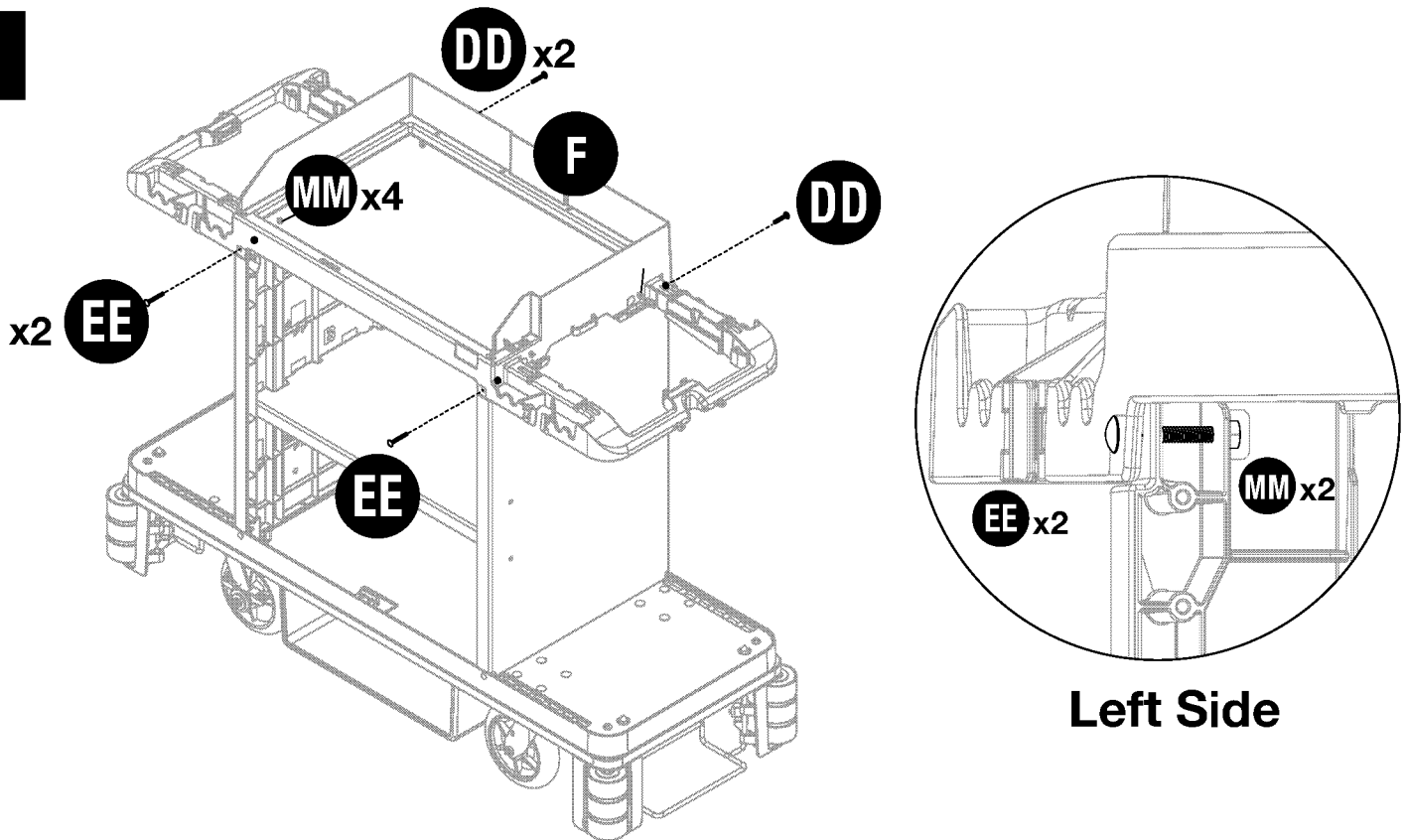
Lower top (F) to top of cart. Make sure the upper Swivel Lockout Bar (M) stays in position. The red lever should remain vertical so it fits properly through the hole on the lid (F). Lid (F) should cover part of upper Swivel Lockout Bar (M) on the inside.


20



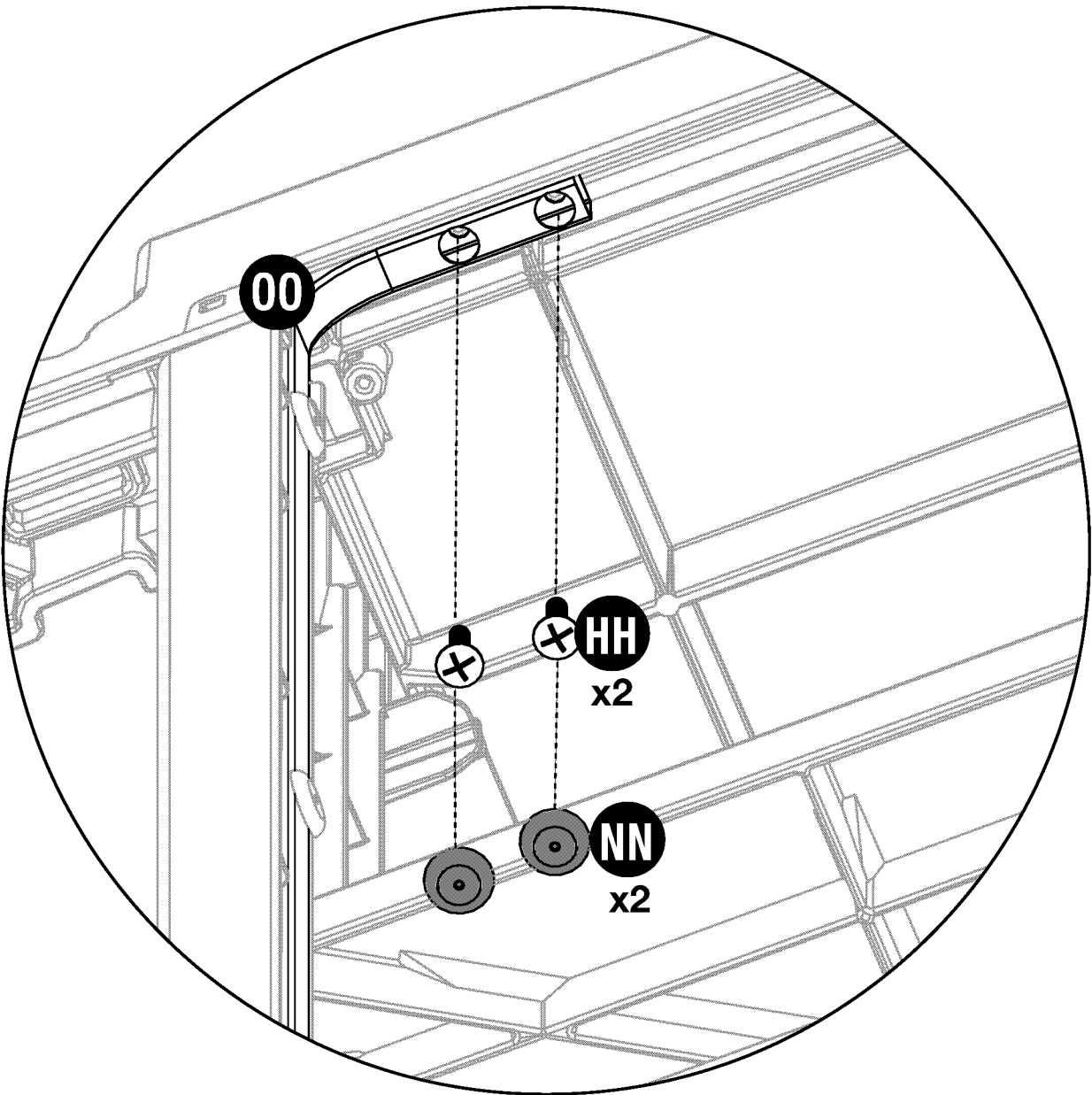
To attach lid (F) insert bolt (BB) through hole on side of cart and attach from underneath lid using nut (JJ). Repeat other side.
Note: Close up views have had shelf taken out for clarity. **Note: Use supplied wrench *** 

21



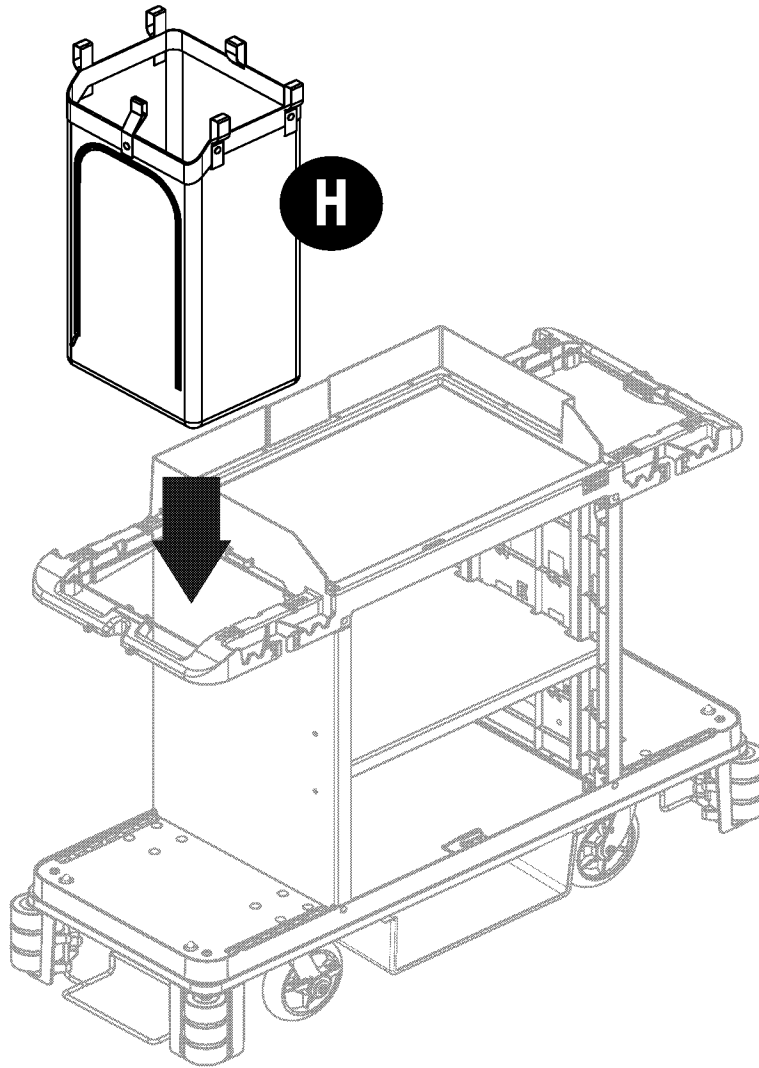
To attach lid (F) insert screw (EE / DD) through lid and attach nut (MM) from underneath lid. **Note: Use supplied wrench *** 

22

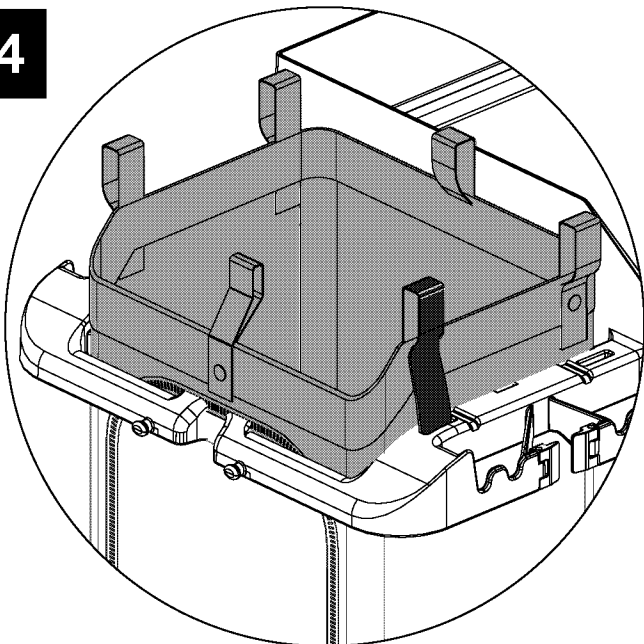


Attach tube (00) to top using two screws (HH) and two caps (NN). Use a mallet to attach caps (NN). Repeat other side.

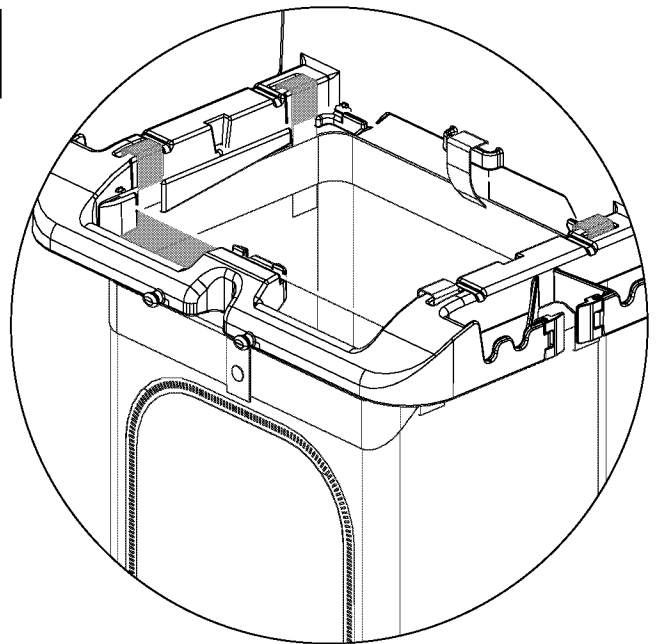
23



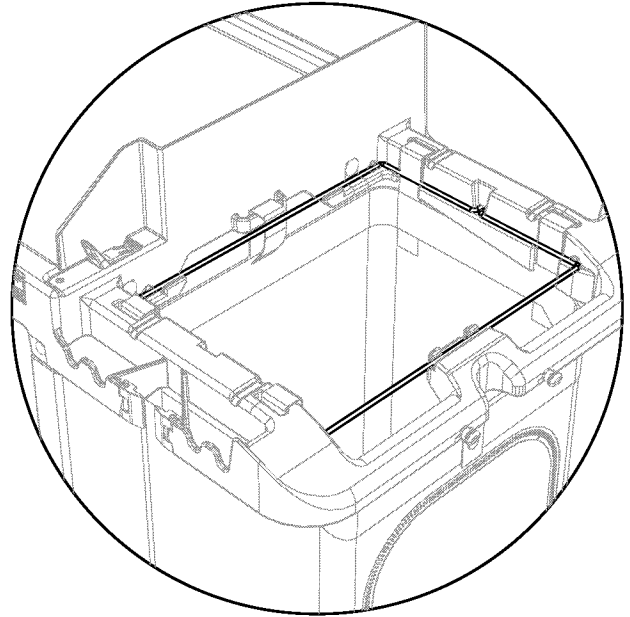
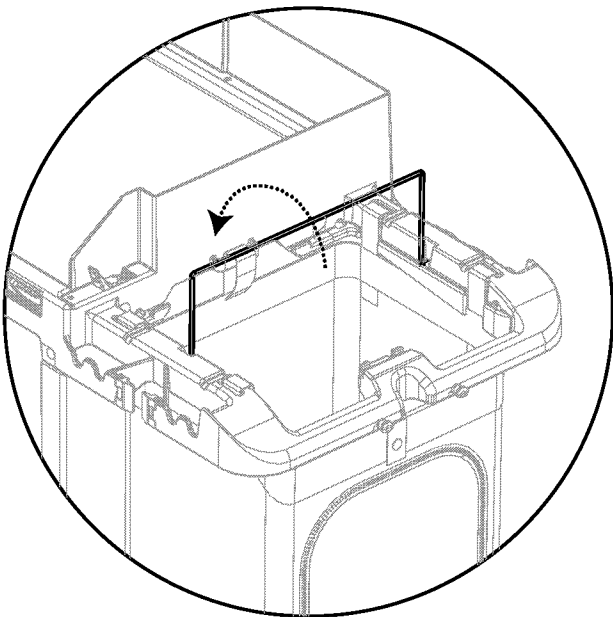
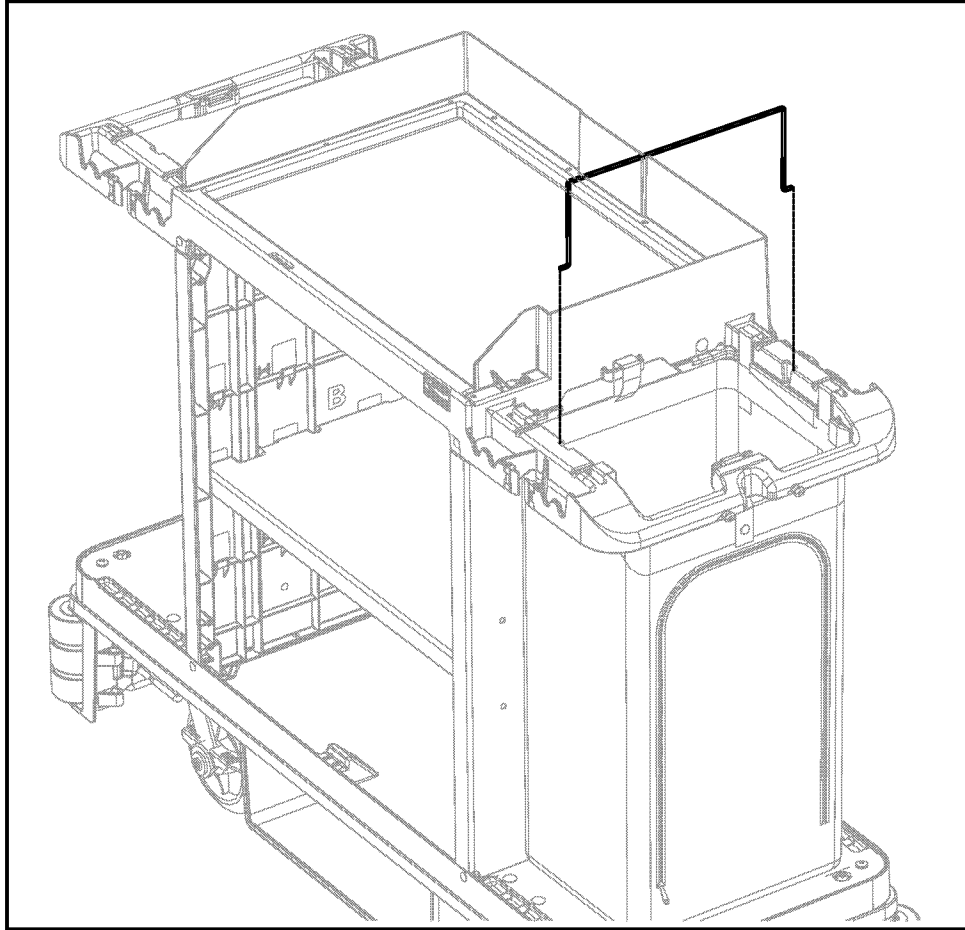
24



25

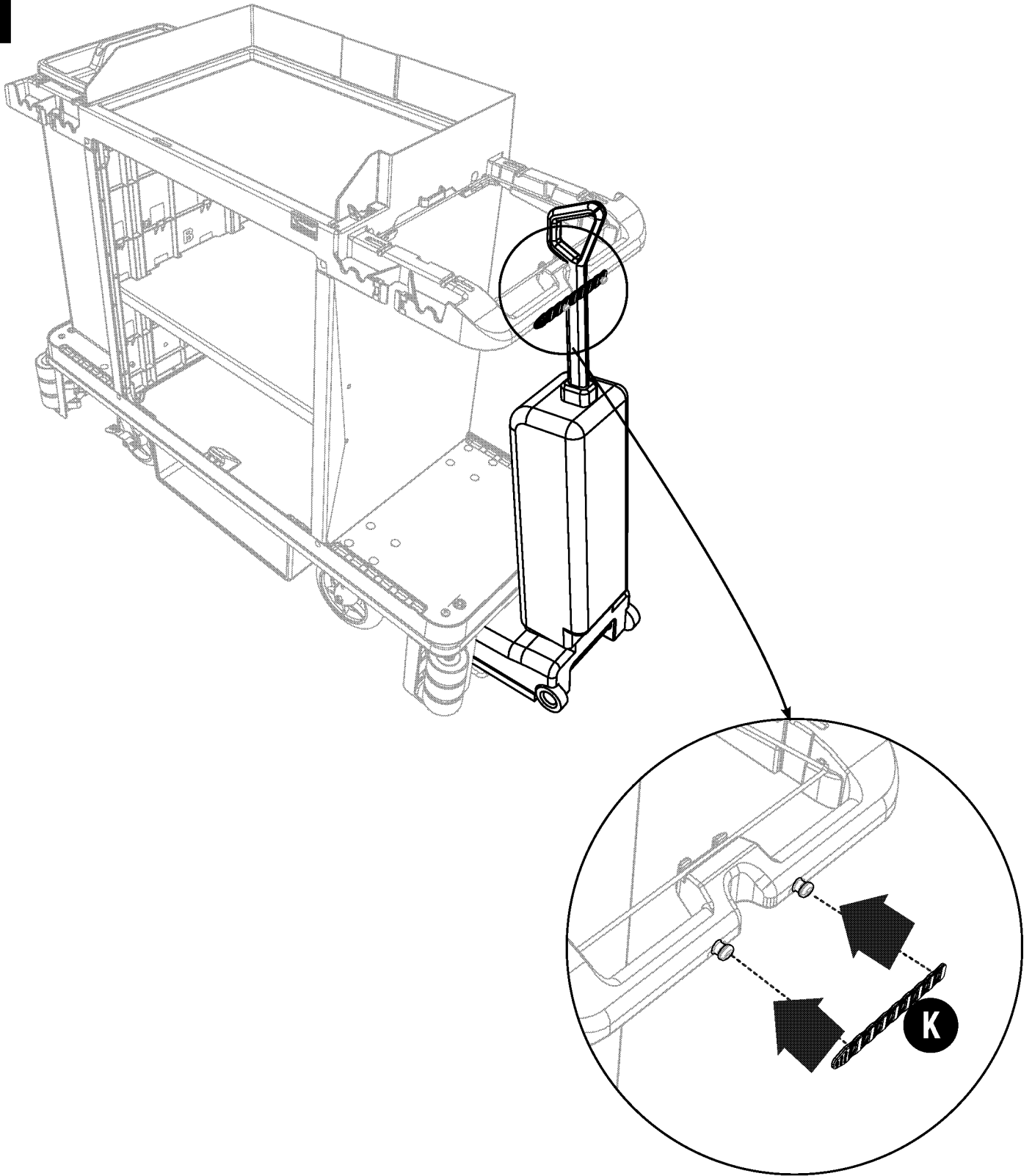


Lower garbage bag (H) through frame of cart. Unsnap and feed through the six slots on frame. Re-snap the bag once strap is through each slot. **Note:** Bag can be switched to other side if necessary.



Lower garbage bag rim (R) and insert into two center slots provided. Guide rim into position. Repeat with right rim. **Note:** Rims can be put on both sides.

27



Attach rubber strap (K) over two knobs on side of cart to secure vacuum cleaner. Vacuum cleaner not included.

