

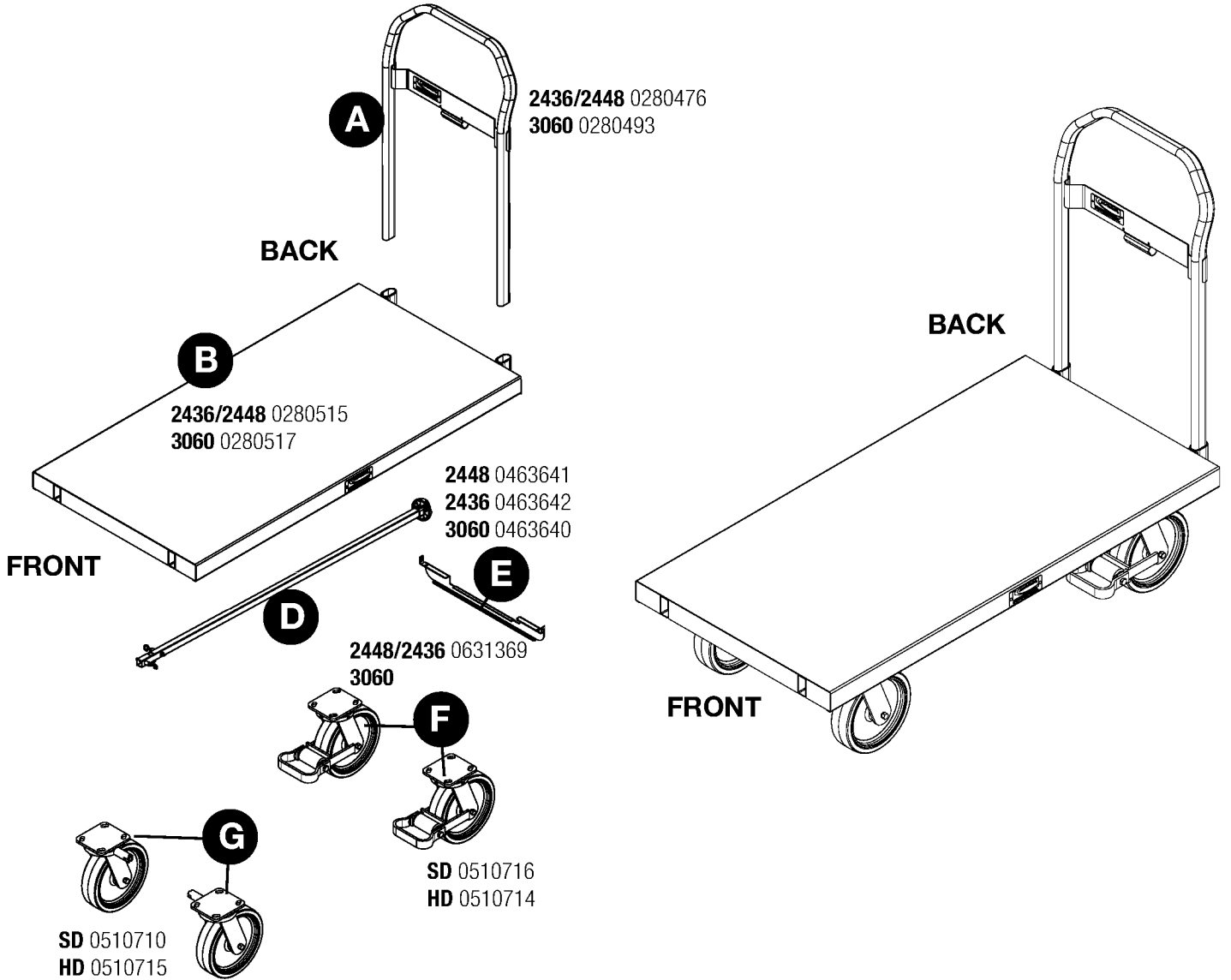
To learn about other Suncast products, please call
1-855-477-1260 or 1-630-879-2050.



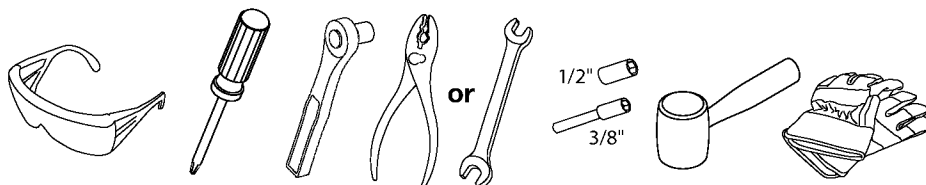
Product Feedback? Go To: Suncastcommercial.com/feedback
OR email us at: feedback@suncastcommercial.com

ITEM NUMBER: MDPTSD2436 / MDPTSD2448 / MDPTSD3060 STANDARD DUTY
MDPTH2448 / MDPTH3060 HEAVY DUTY

PARTS



TOOLS NEEDED



BEFORE YOU BEGIN

- Read instructions thoroughly prior to assembly.
This kit contains parts that can be damaged if assembled incorrectly or in the wrong sequence.
- Please follow instructions.
Suncast is not responsible for replacing parts lost or damaged due to incorrect assembly.
- Check for all parts before you begin assembly.
Using the provided parts check list, verify that you have all the parts required to construct your cabinets.
- Assistance is required during parts of the assembly.

CAUTION

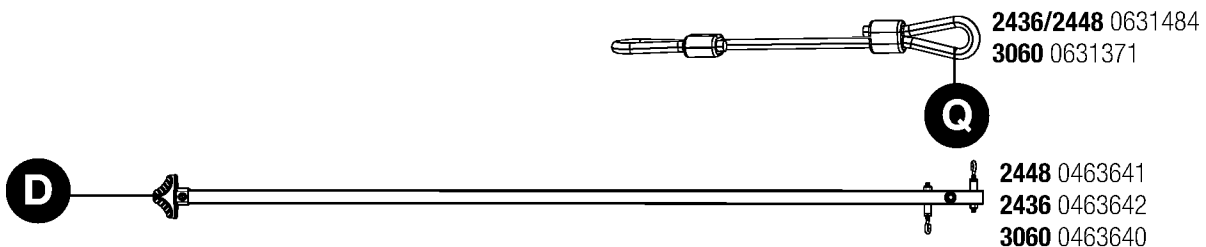
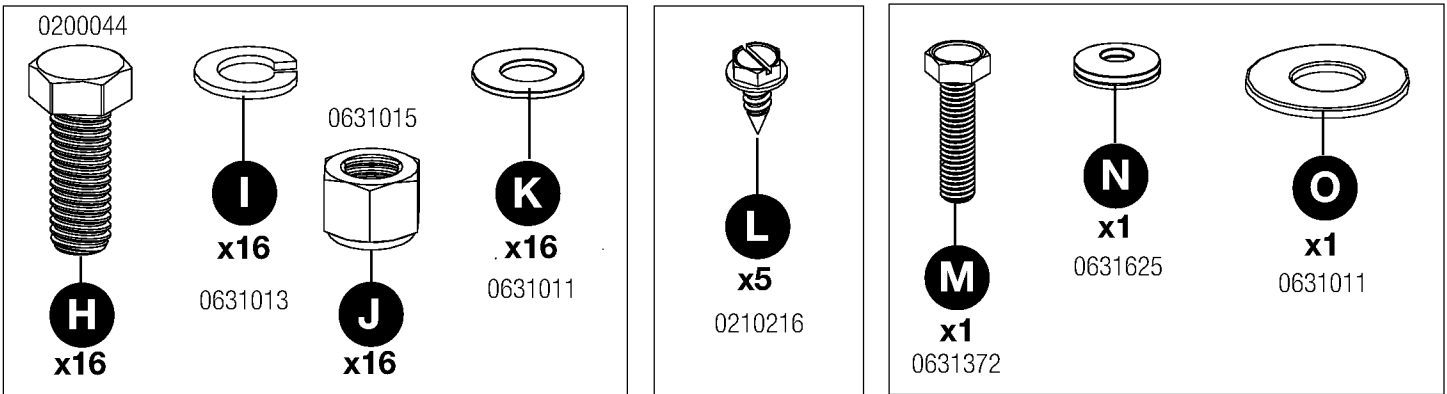
- This product is not a toy and is not intended for use by children.
- Exercise caution when moving fully loaded product.
- Do not sit or stand on top.
- This contains parts that can be damaged if assembled incorrectly or in the wrong sequence. Repair or replace broken parts immediately.
- Standard Duty Max load 1000 lbs. • Heavy Duty Max Load 2000 lbs.

CAUTION

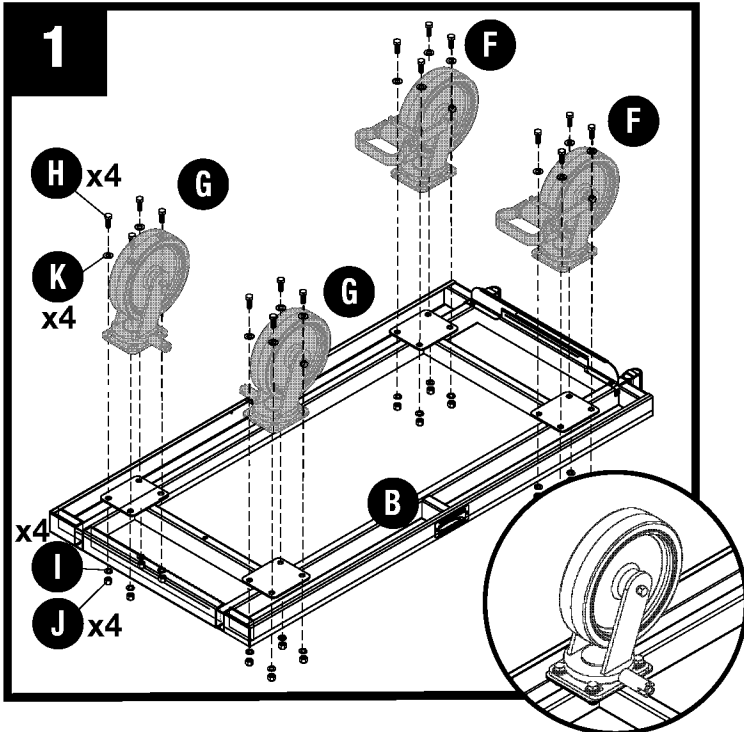
- We recommend cleaning your product with soap and water. Rinse and dry well before using..

HARDWARE

Hardware Bag 0480389

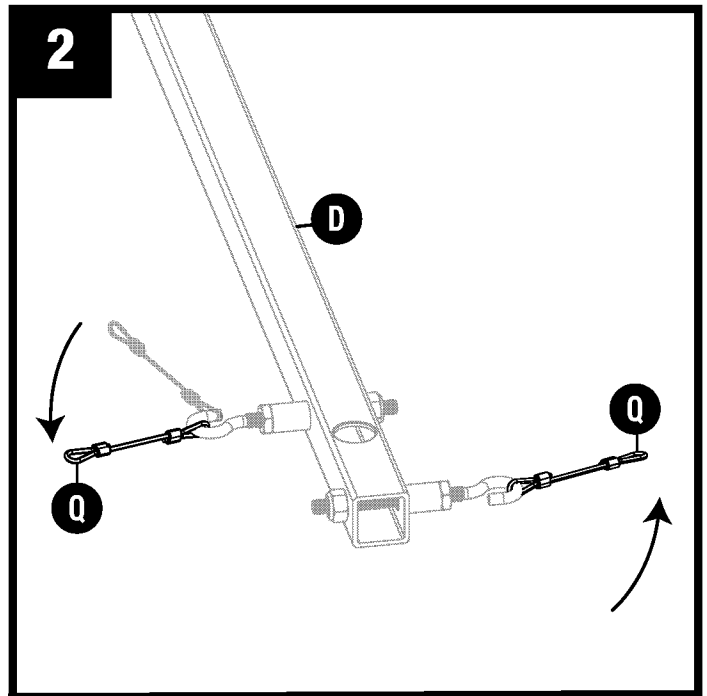


ASSEMBLY

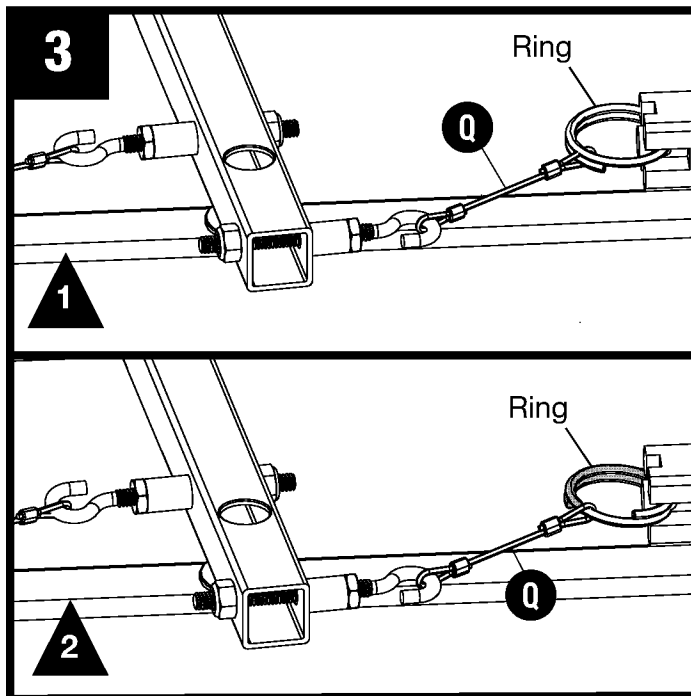


Attach each caster (G/F) to platform (B). Attach each using four bolts (H), four washers (K), four lock washers (I) and four nuts (J). Do not tighten completely. Repeat with other casters. Now tighten all (H) bolts.

Note: Lockout pin needs to face inward on (G) casters.

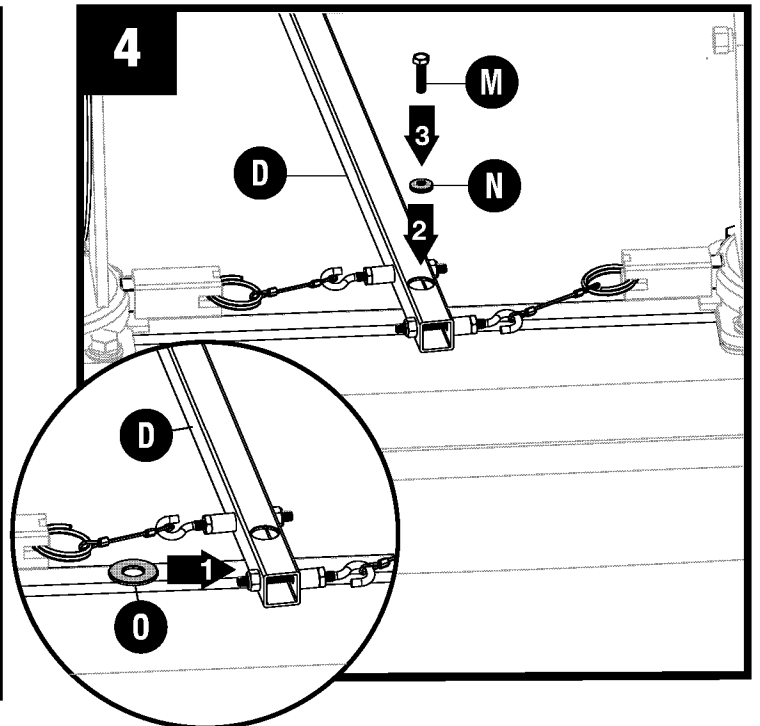


Thread lanyard (Q) onto Hooks connected to (D).



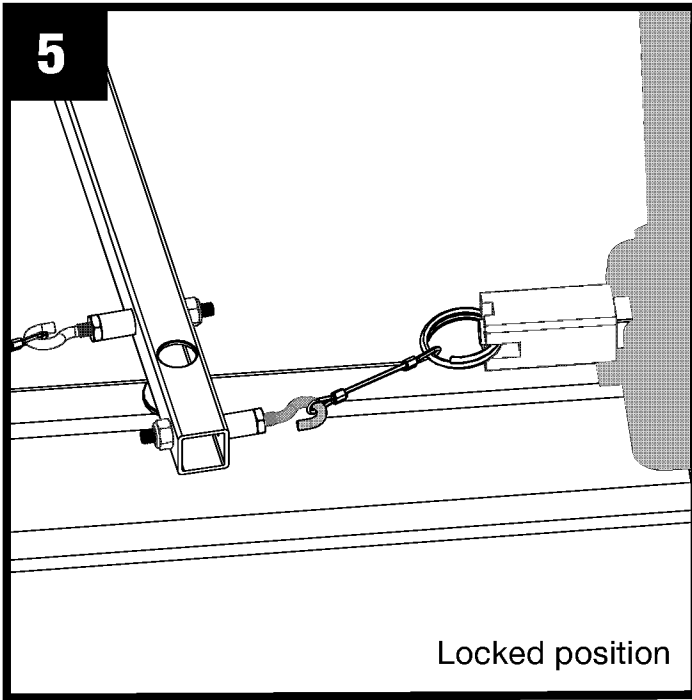
Thread lanyard (Q) onto key ring. Repeat other side.

Note: Ring should already be attached to caster.

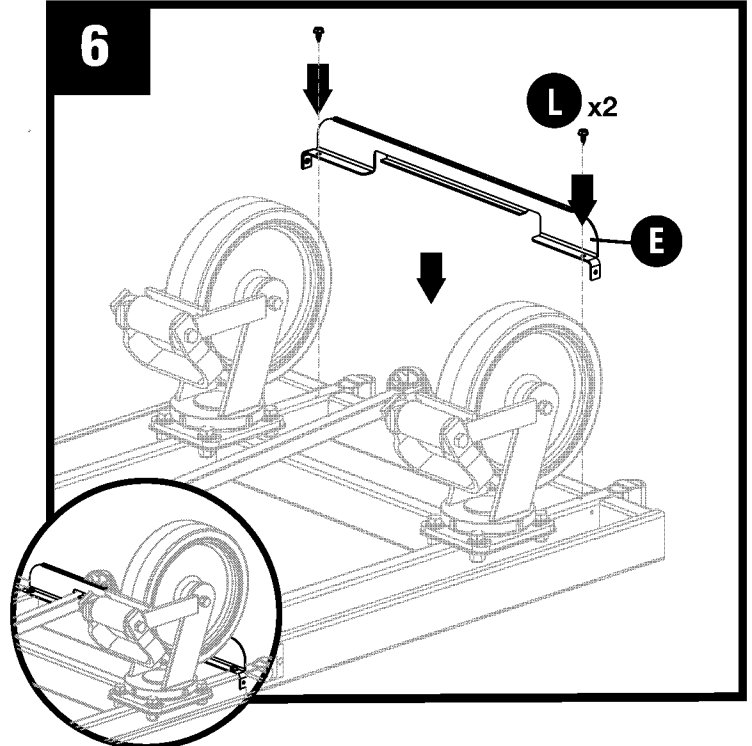


Slide washer (O) under (D) and attach to bar using sealing washer (N) and bolt (M).

ASSEMBLY CONTINUED

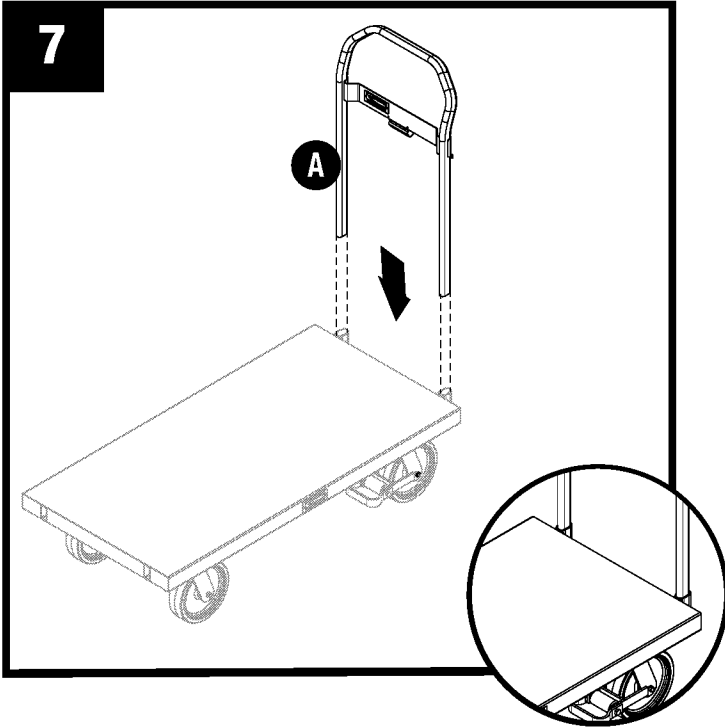


Swivel lockout complete

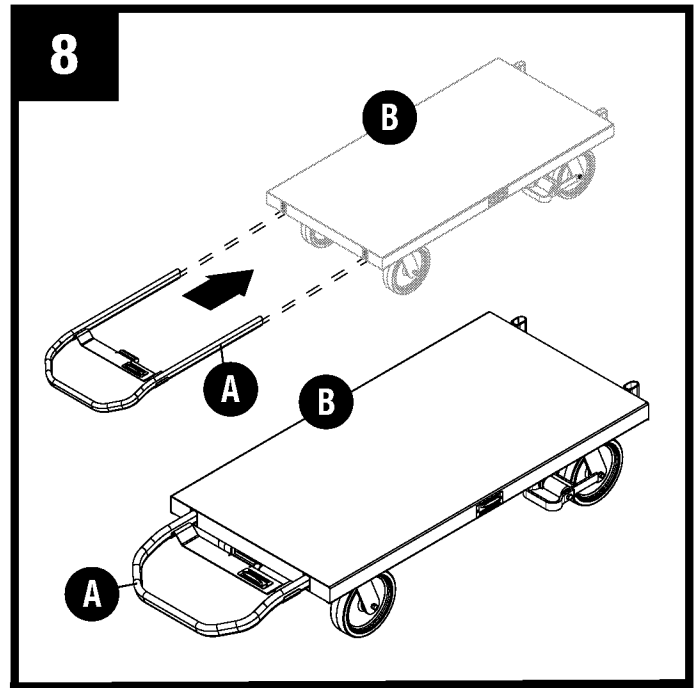


Attach bracket (E) to base using two screws (L).

HANDLE STORAGE

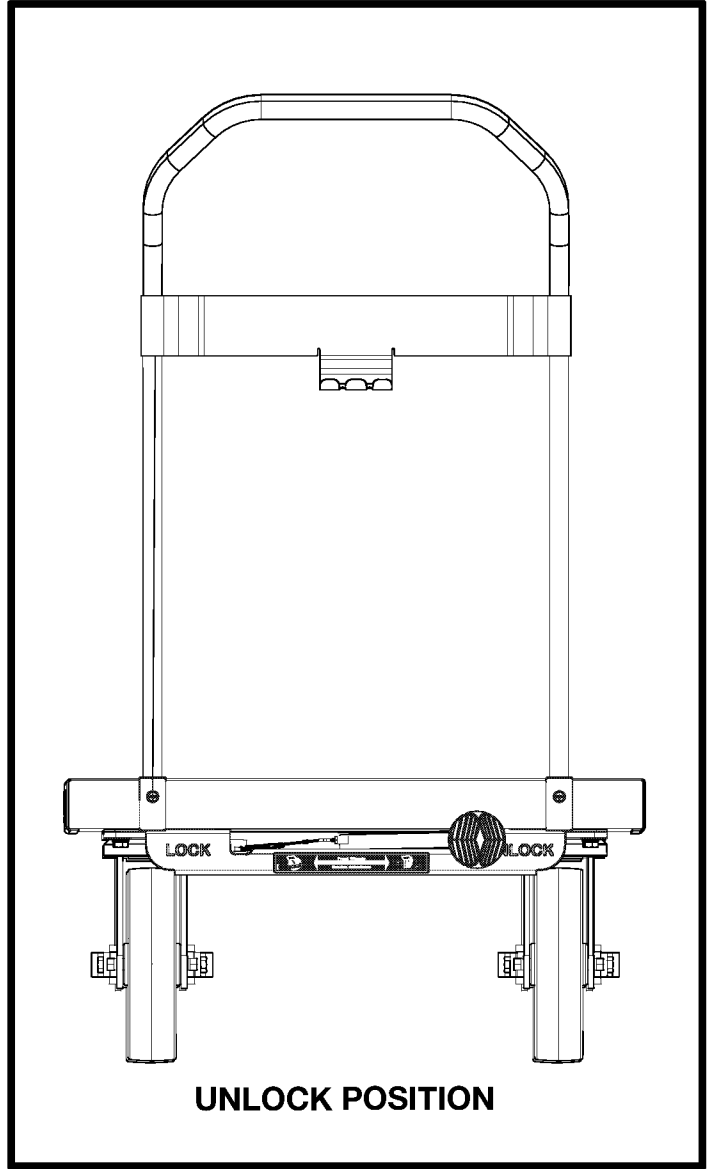
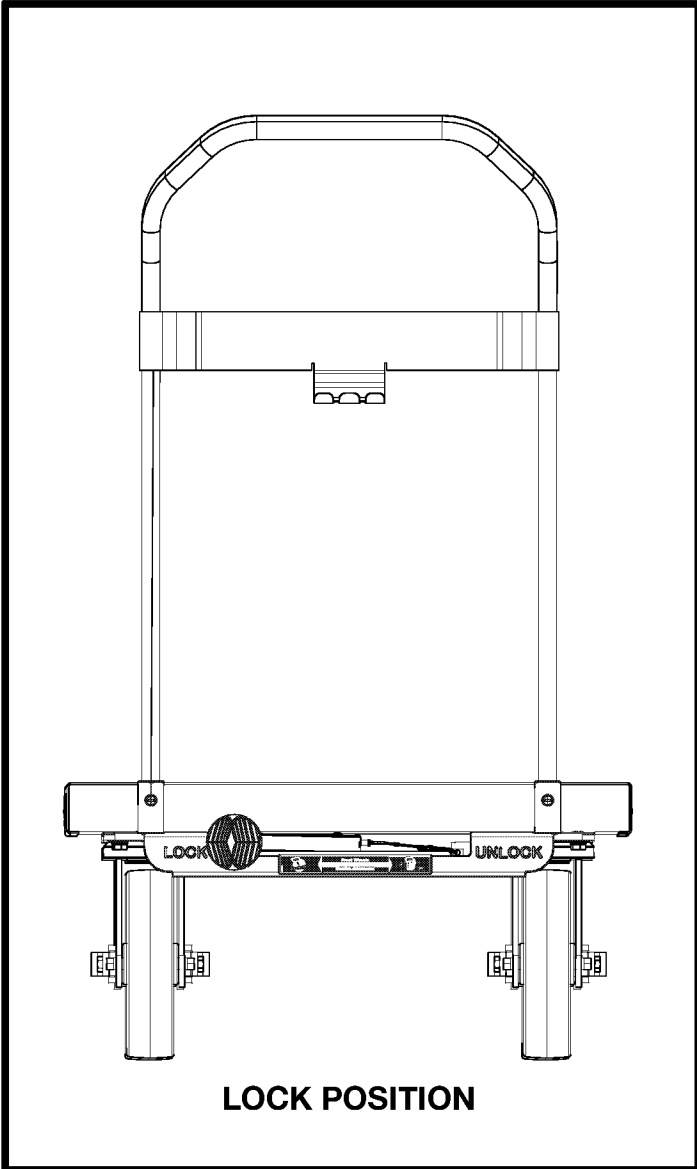


Insert handle (A) into slots. Push down and snap into place.



Temporary handle storage is located on front of platform (B).

LOCKING MECHANISM



Move handle to right to unlock. Make sure bar is seated in notch.

