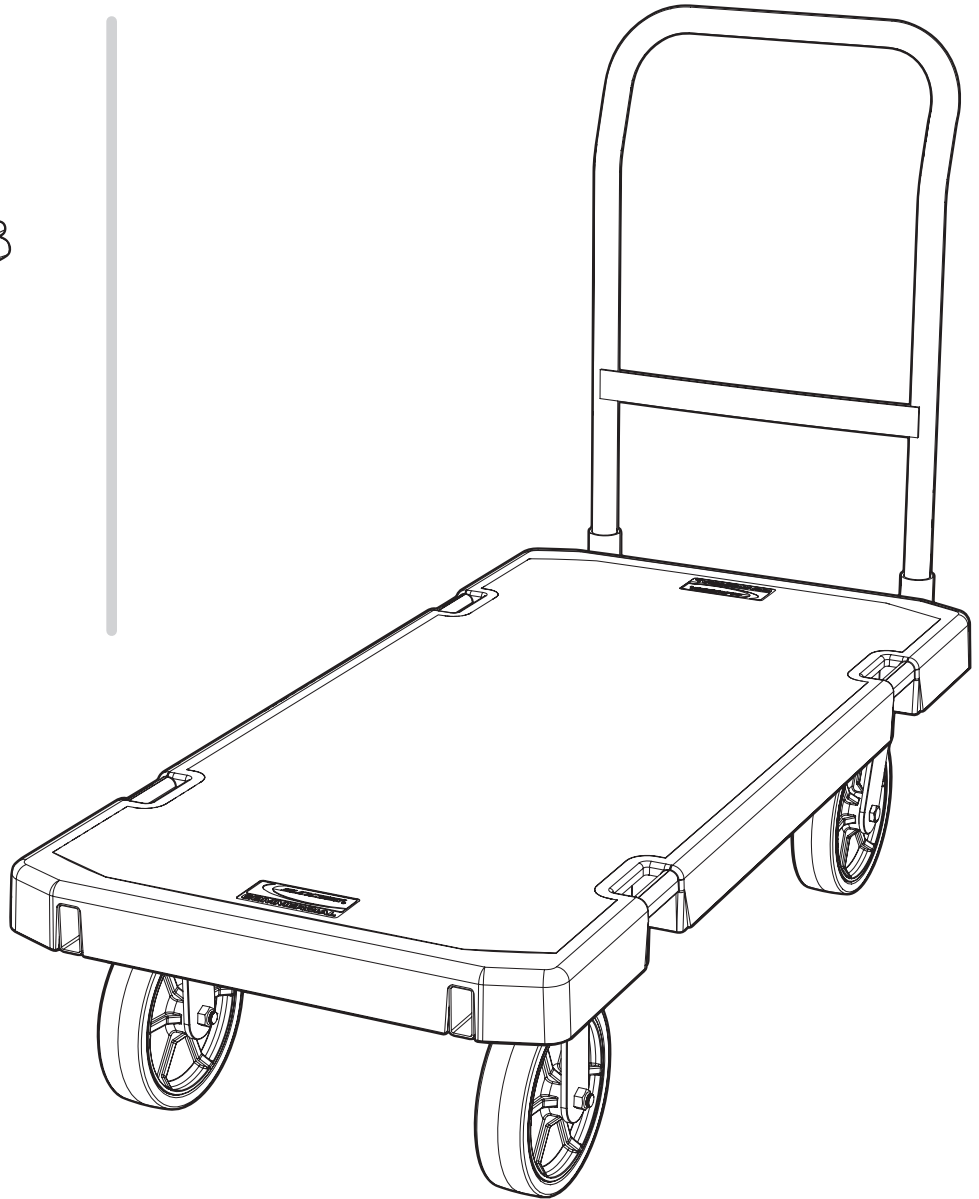
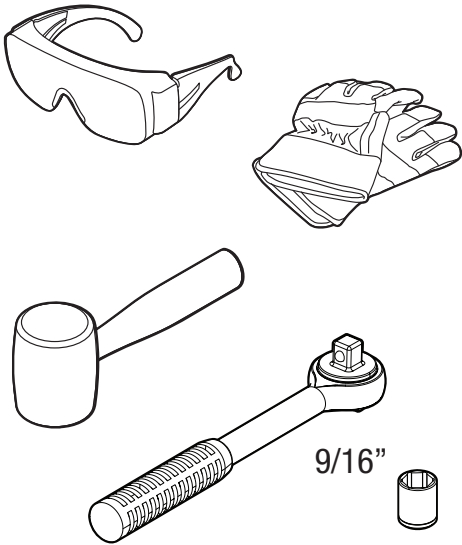




PDPT2436 / PDPT2448 / PDPT3060 Platform Cart

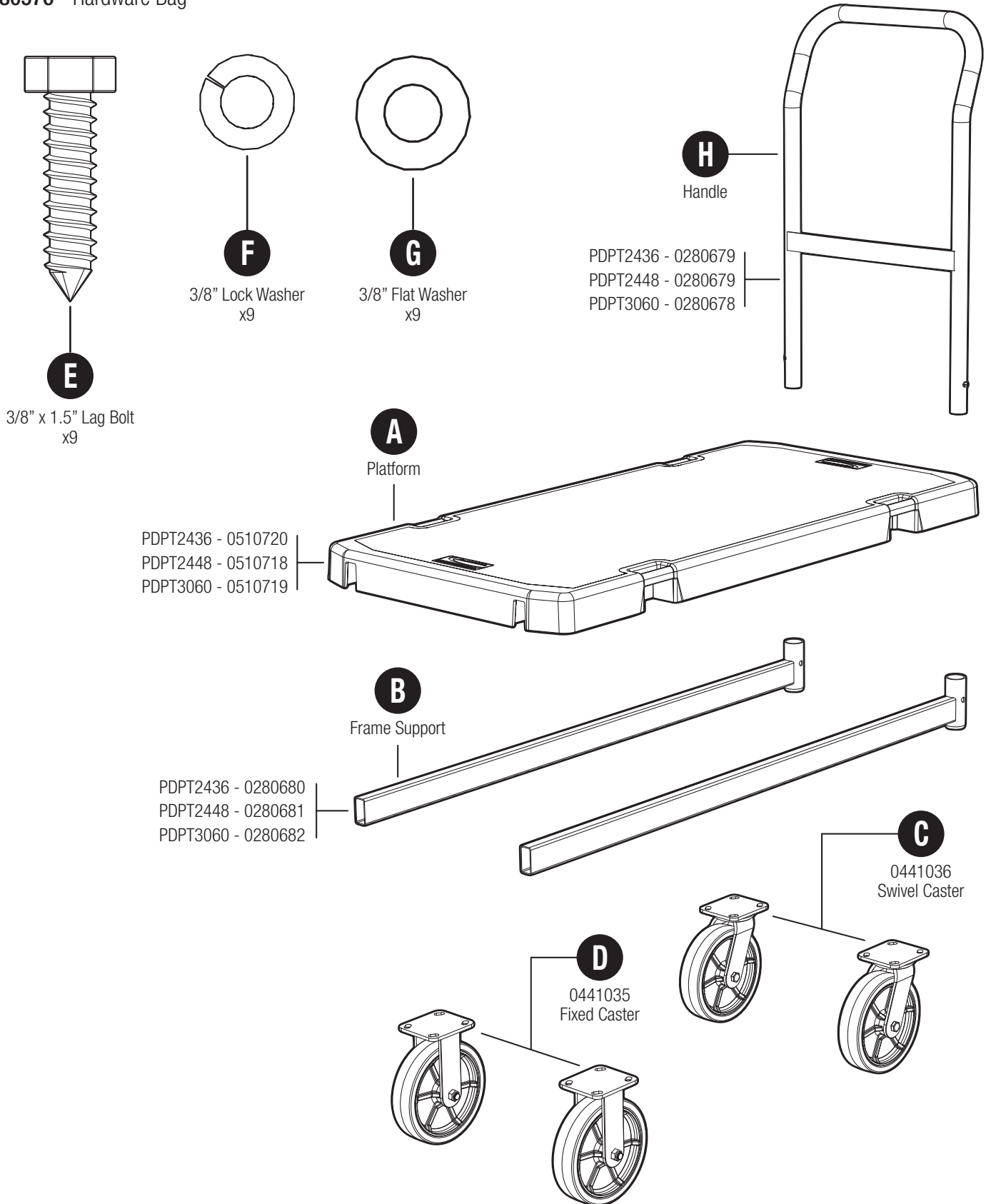
Tools Required



Please visit www.suncastcommercial.com or email us at feedback@suncastcommercial.com.

Parts

0480576 - Hardware Bag



Hardware shown at actual size. Extra hardware provided. Not all are used.

Before You Begin...

- **Read instructions thoroughly prior to assembly.**

This kit contains parts that can be damaged if assembled incorrectly or in the wrong sequence.

- **Check for all parts before you begin assembly.**

Using the provided parts check list, verify that you have all the parts required to construct your cabinets.

- **Please follow instructions.**

Suncast is not responsible for replacing parts lost or damaged due to incorrect assembly.

Caution

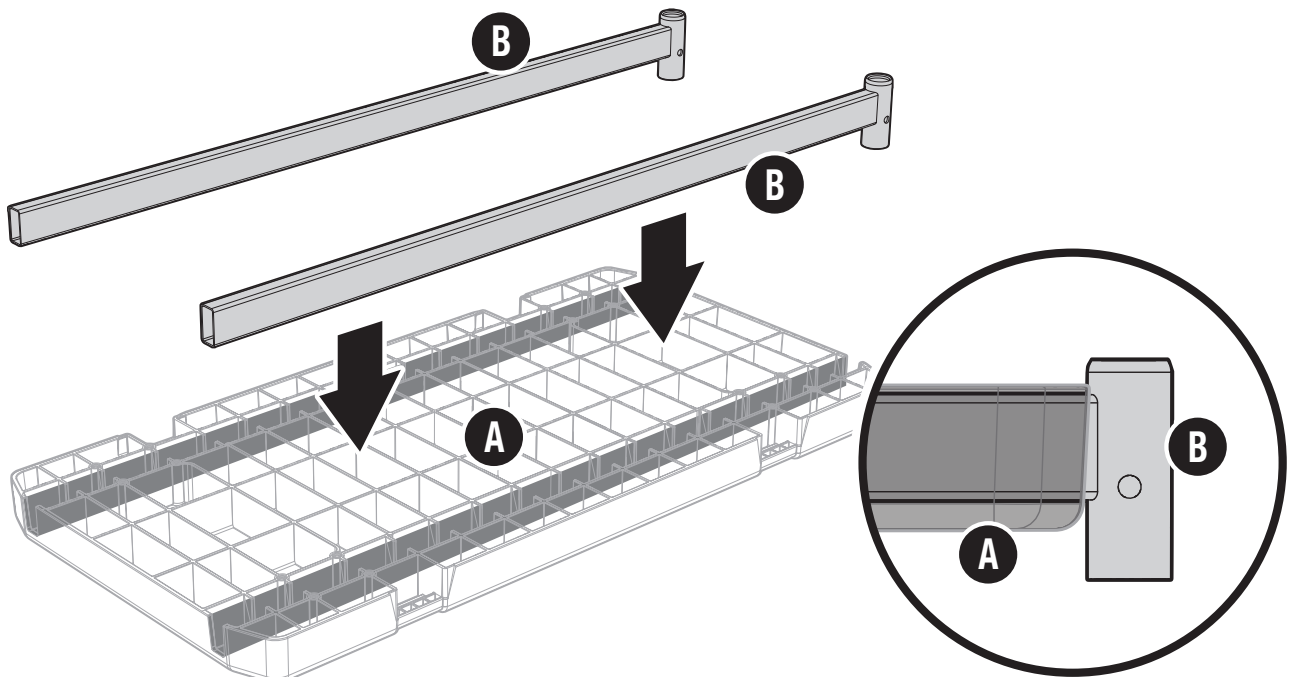
- Not intended for usage by children.
- Exercise caution when moving fully loaded product.
- Do not store near excessive heat.
- This contains parts that can be damaged if assembled incorrectly or in the wrong sequence. Repair or replace broken parts immediately.
- Do not sit or stand on platform.
- Max load 1,600 lbs.

Care Instructions

Suncast recommends cleaning your product with soap and water. Rinse and dry well before using

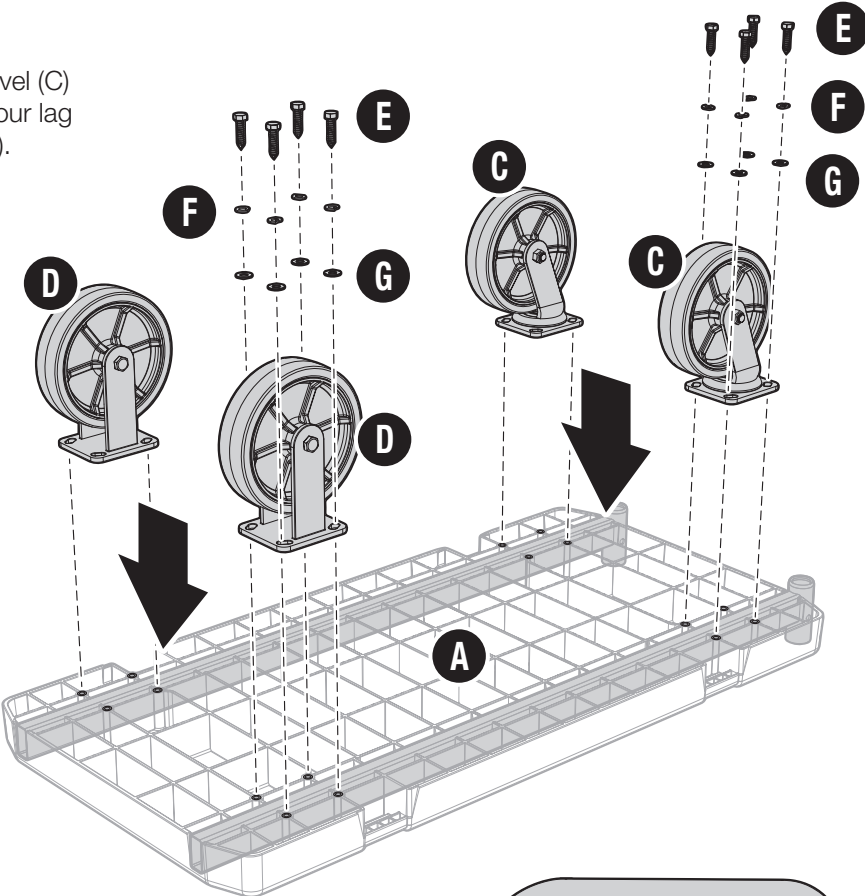
Assembly

- 1 With the bottom of the platform (A) facing up, place the frame supports (B) into the channels as shown.

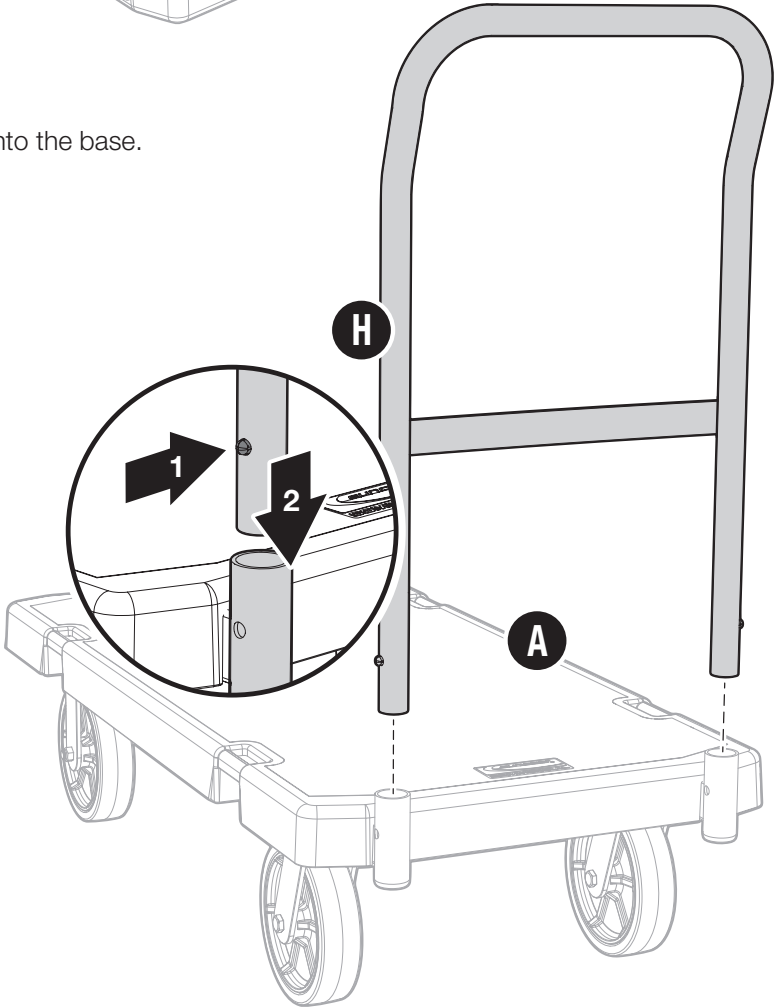


Assembly (continued)

2 At the locations indicated, assemble each swivel (C) and fixed (D) caster to the platform (A) using four lag bolts (E), lock washers (F) and flat washers (G). Do not overtighten.



3 Turn the platform (A) over and insert the handle (H) into the base.



Refer to www.suncastcommercial.com for warranty information.