

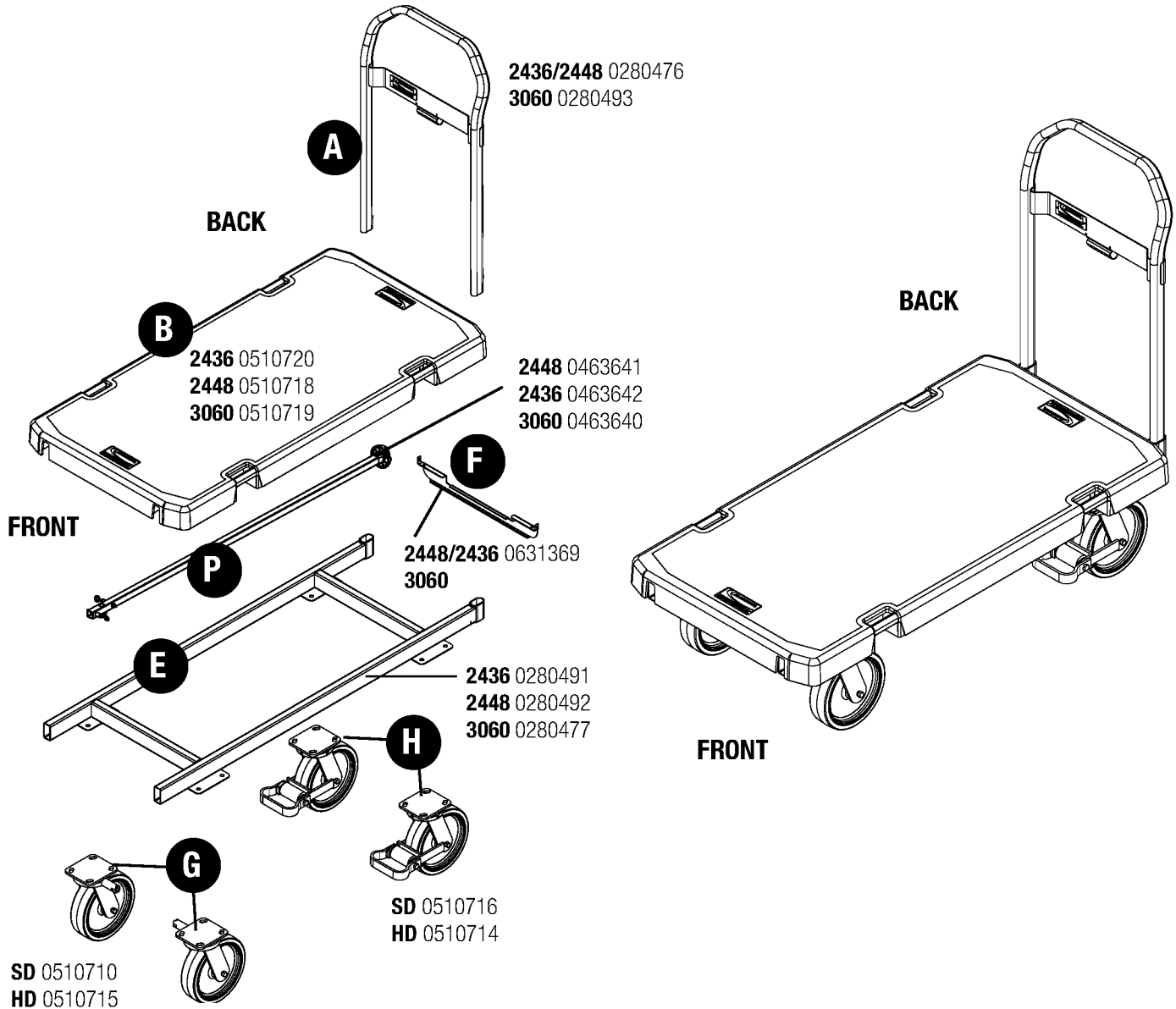
To learn about other Suncast products, please call
1-855-477-1260 or 1-630-879-2050.



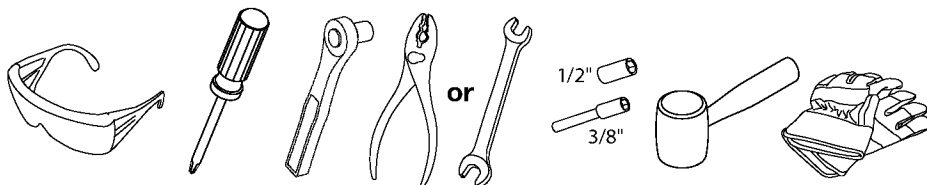
Product Feedback? Go To: Suncastcommercial.com/feedback
OR email us at: feedback@suncastcommercial.com

ITEM NUMBER: PDPTSD2436 / PDPTSD2448 / PDPTSD3060 STANDARD DUTY
PDPTH2436 / PDPTH2448 / PDPTH2448 / PDPTH2448 / PDPTH2448 HEAVY DUTY

PARTS



TOOLS NEEDED



BEFORE YOU BEGIN

- Read instructions thoroughly prior to assembly.
This kit contains parts that can be damaged if assembled incorrectly or in the wrong sequence.
- Please follow instructions.
Suncast is not responsible for replacing parts lost or damaged due to incorrect assembly.
- Check for all parts before you begin assembly.
Using the provided parts check list, verify that you have all the parts required to construct your cabinets.
- Assistance is required during parts of the assembly.

CAUTION

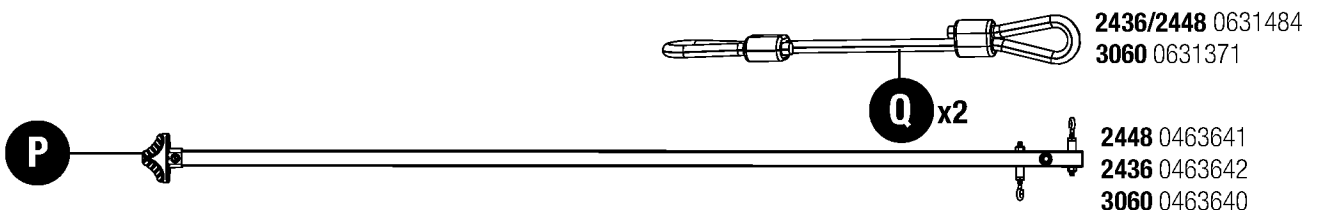
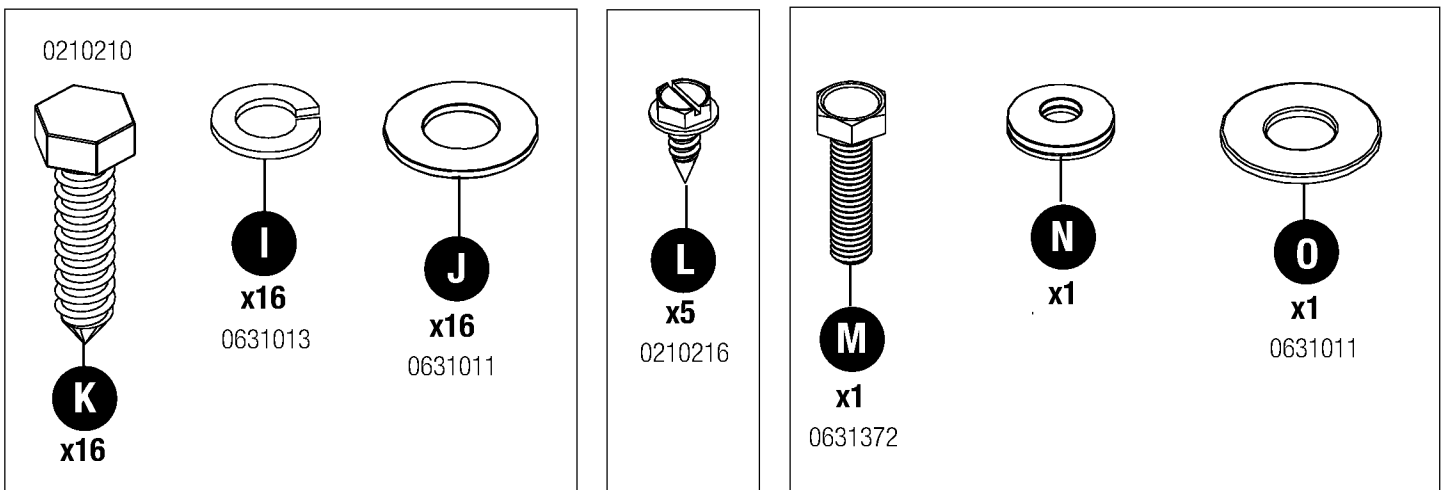
- This product is not a toy and is not intended for use by children.
- Exercise caution when moving fully loaded product.
- Do not sit or stand on top.
- This contains parts that can be damaged if assembled incorrectly or in the wrong sequence. Repair or replace broken parts immediately.
- Standard Duty Max load 1000 lbs. • Heavy Duty Max Load 2000 lbs.

CAUTION

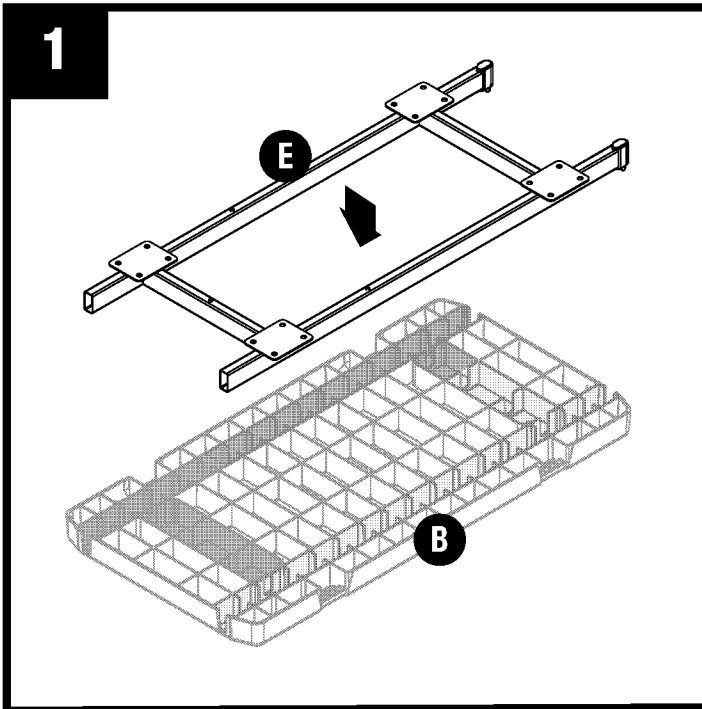
- We recommend cleaning your product with soap and water. Rinse and dry well before using.

HARDWARE

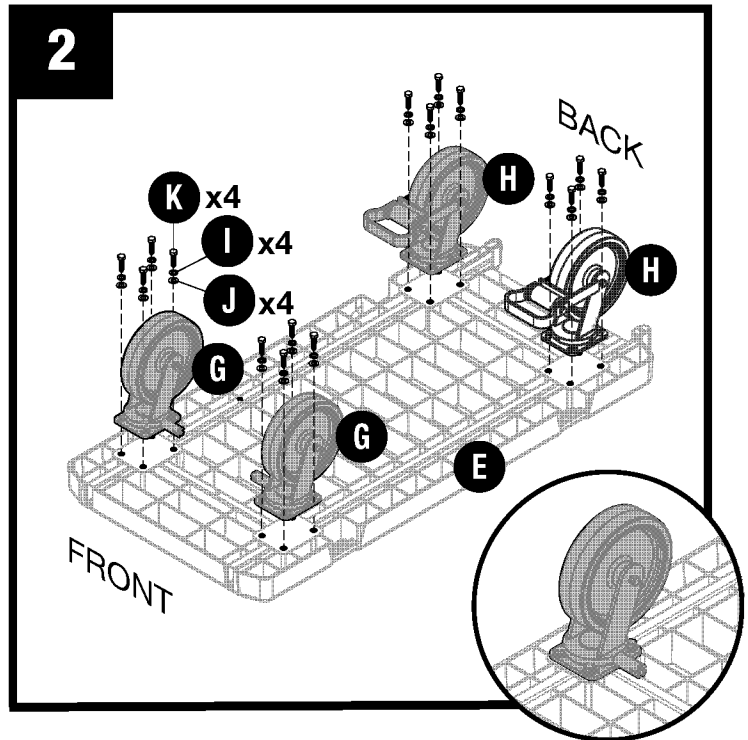
Hardware Bag 0480389



ASSEMBLY

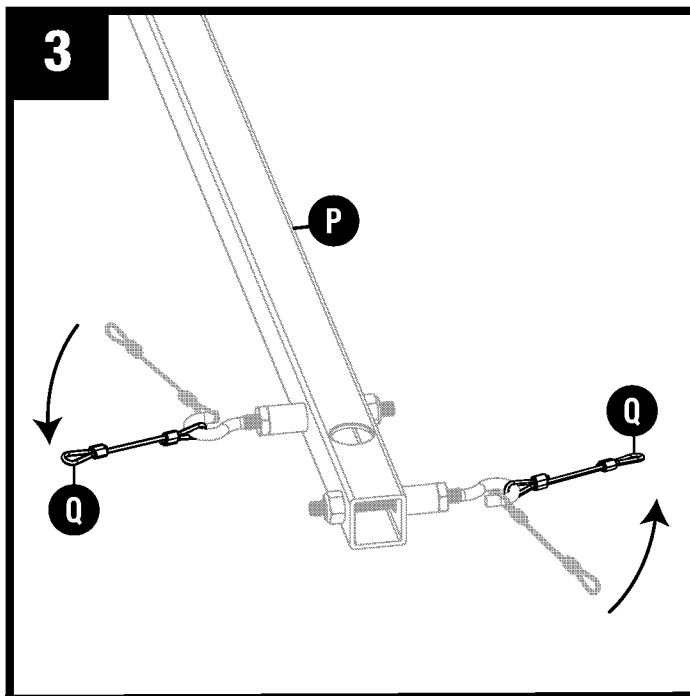


Lower frame (E) into plastic bed (B).

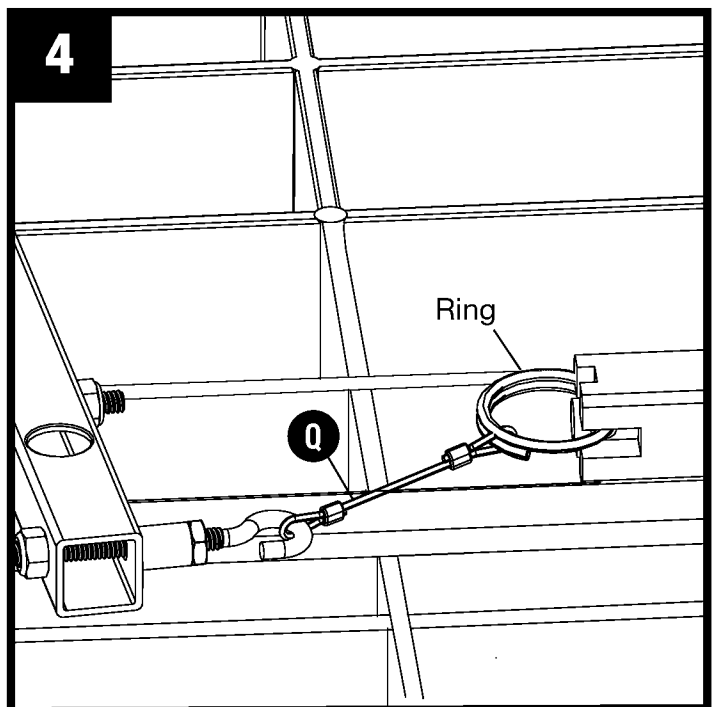


Attach each caster (G/H) to the frame (E). Attach each using four bolts (K) four lock washers (I) and four washers (J). Do not tighten completely. Repeat other casters. Now tighten all (K) bolts.

Note: Lockout pin needs to face inward on (G) casters.

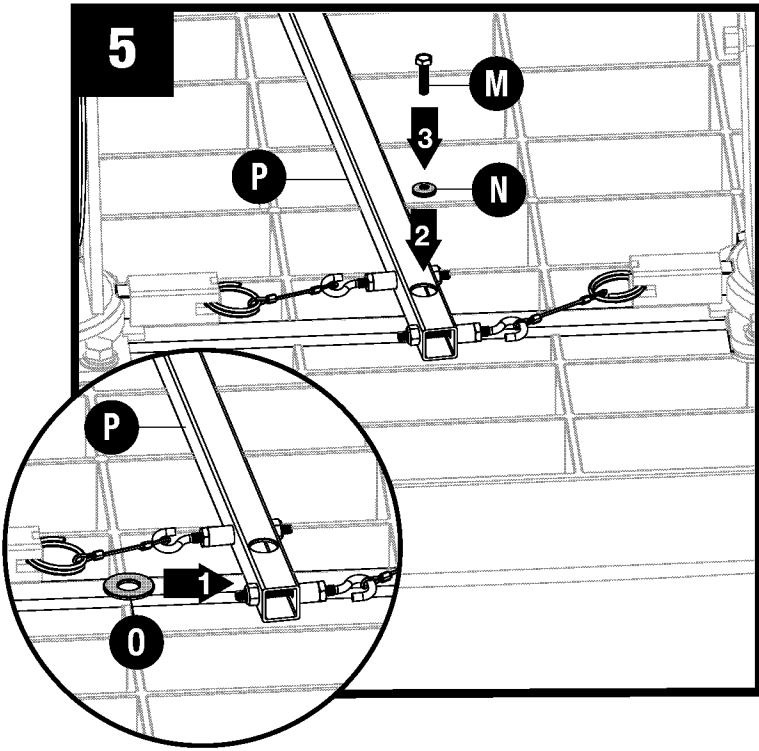


Thread lanyard (Q) onto Hooks connected to (P).

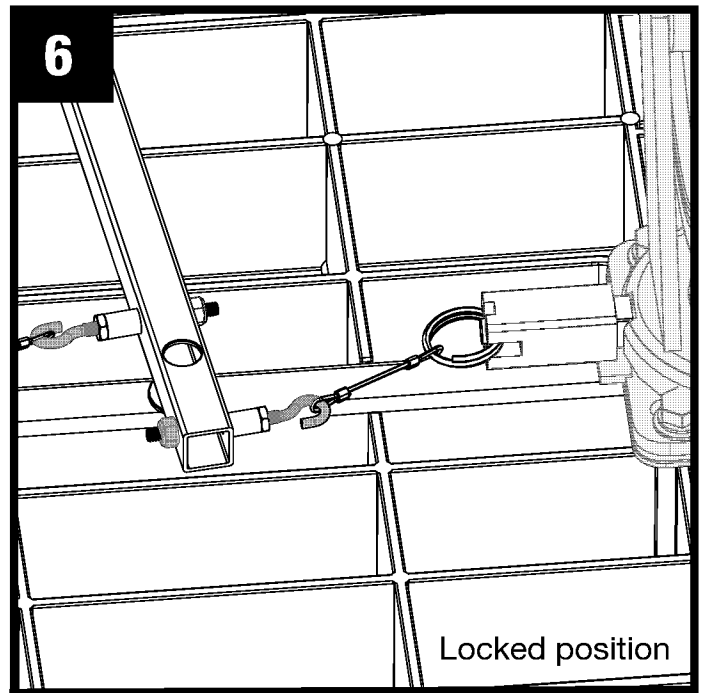


Thread lanyard (Q) onto key ring. Repeat other side.
Note: Ring should already be attached to caster.

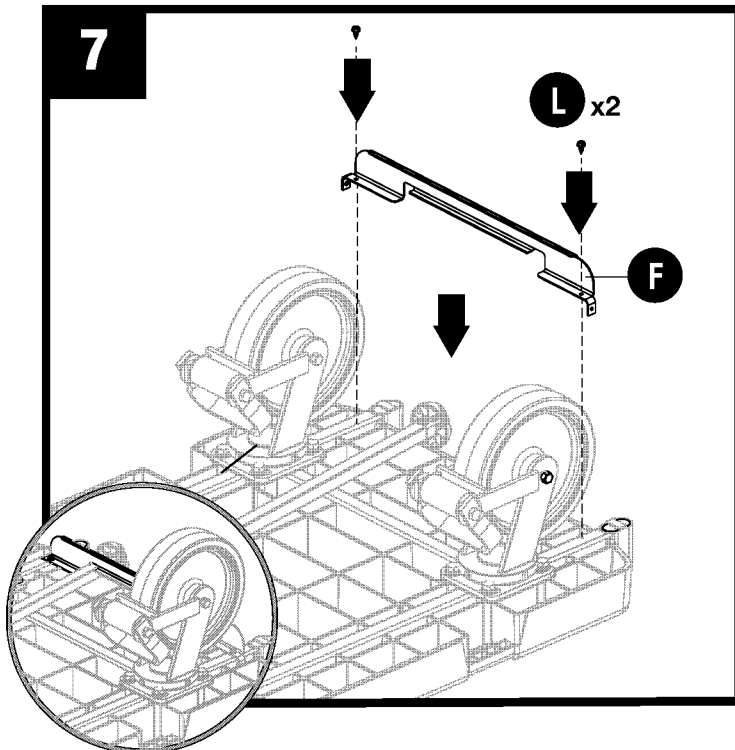
ASSEMBLY CONTINUED



Slide washer (O) under (P) and attach to bar using sealing washer (N) and bolt (M).

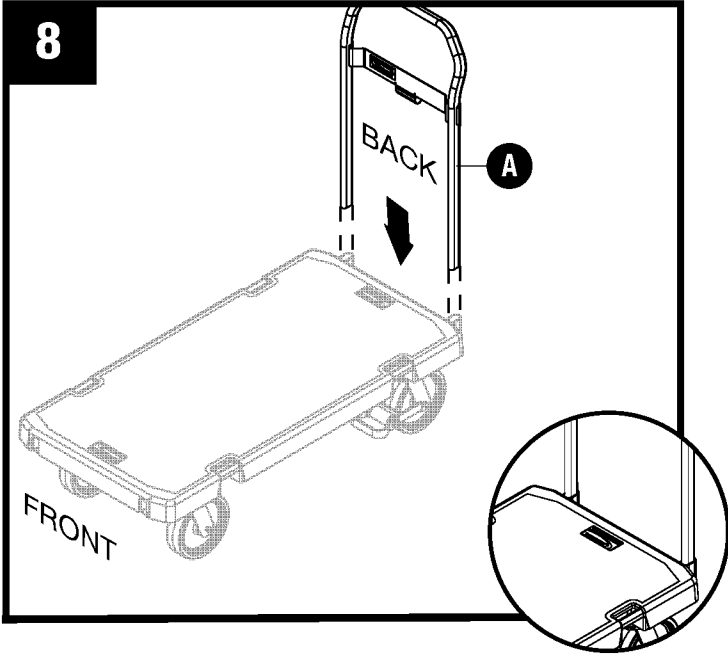


Swivel lock out complete

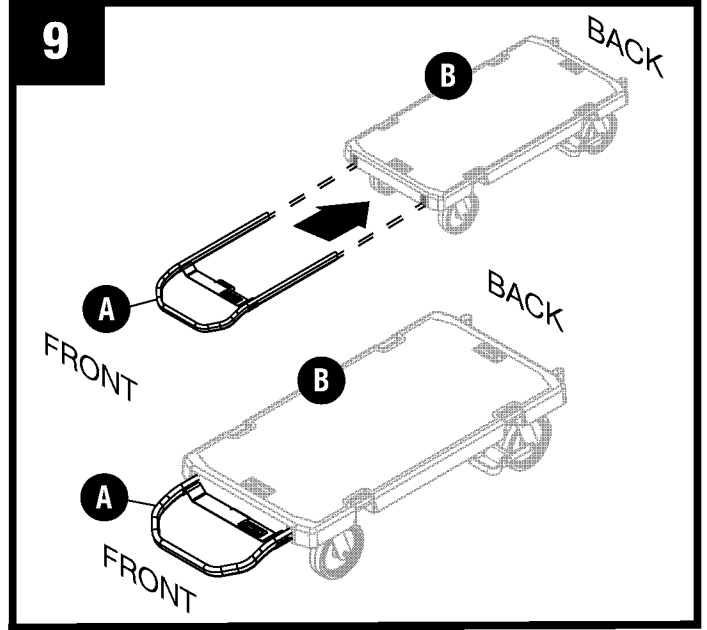


Attach bracket (F) to base using two screws (L).

HANDLE STORAGE

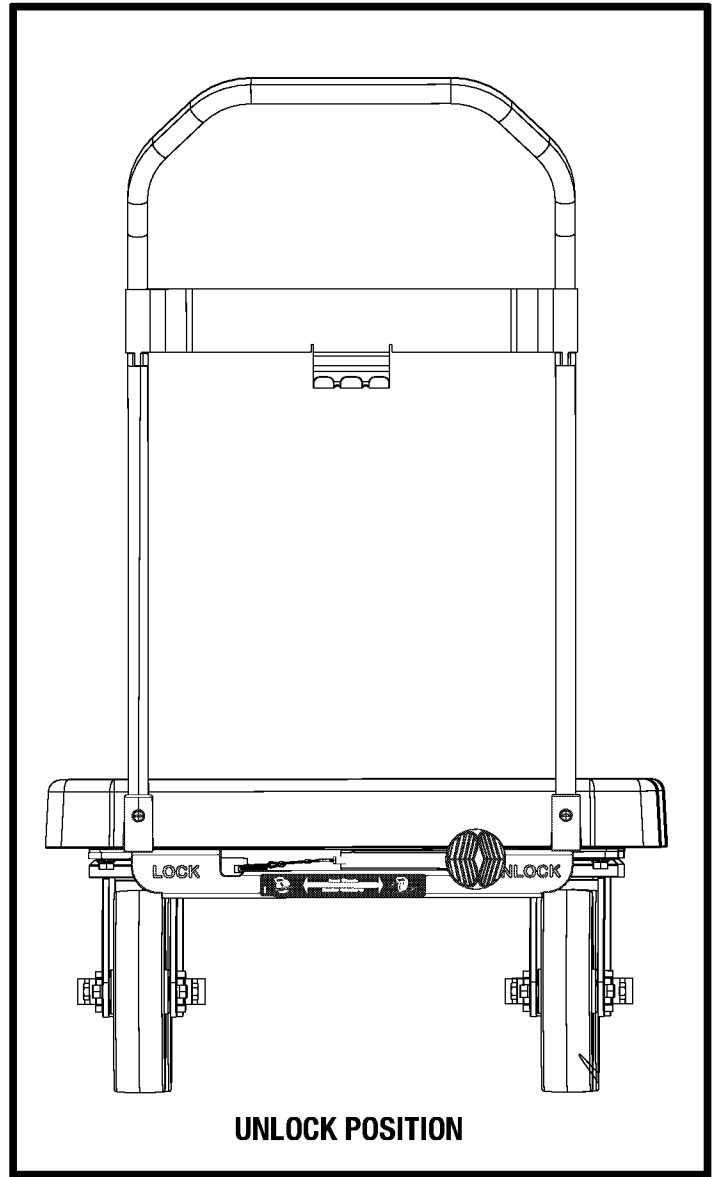
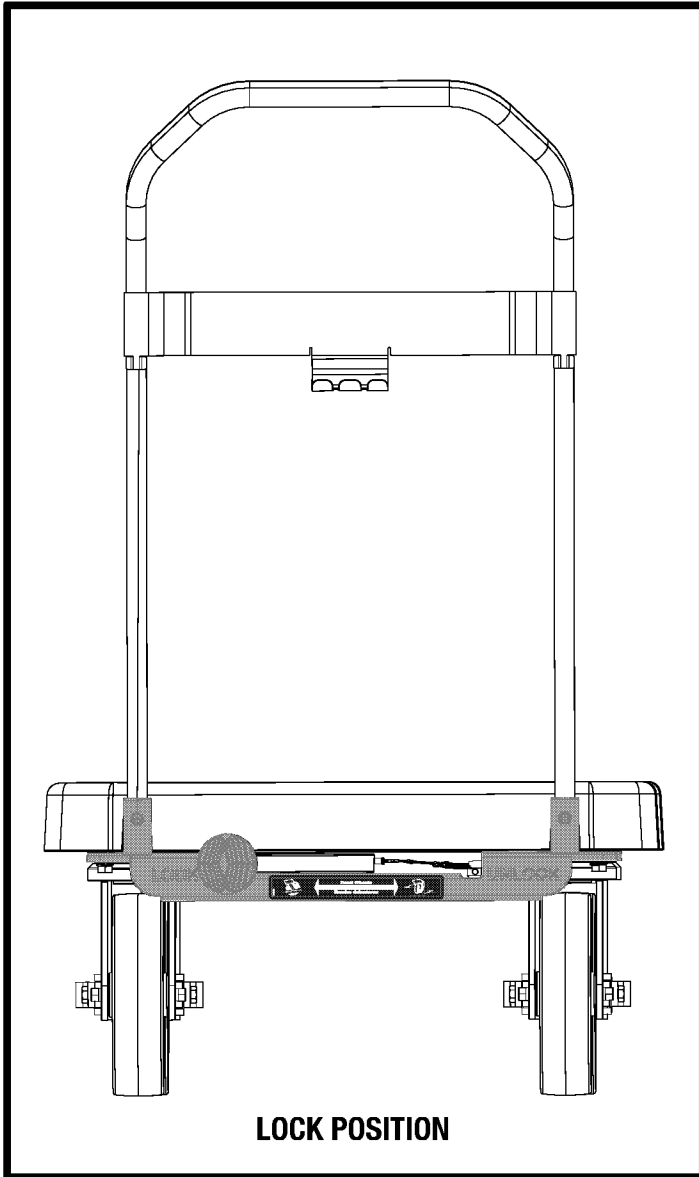


Insert handle (A) into slots on back of the unit. Push down and snap into place.

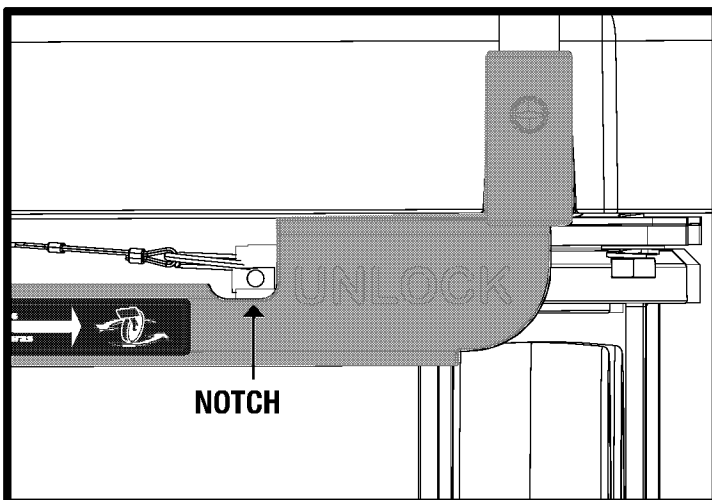


Temporary handle storage is located on front of platform (B).

LOCKING MECHANISM



Move handle to right to unlock. Make sure bar is seated in notch.



Warranty

SUNCAST COMMERCIAL® ONE Year Limited Warranty

Your SUNCAST COMMERCIAL® item has a ONE YEAR LIMITED WARRANTY against product failure resulting from defects in manufacturing or materials. The warranty period starts on the delivery date. Incidental and consequential damages are not covered.

Warranty Claims

To file a warranty claim contact the manufacturer, SUNCAST® CORPORATION, 701 North Kirk Road, Batavia, Illinois, 60510. Call toll free (855) 477-1260 or visit www.suncastcommercial.com. SUNCAST® will replace only the parts that failed under the terms of the warranty. In some cases, the replacement parts may not be identical, but they shall be of equal or greater performance than the original part. We require proof of purchase. We require evidence of the failure. Warranty excludes shipping and handling charges.

WARRANTY LIMITATIONS

THIS WARRANTY COVERS ONLY DEFECTS THAT AFFECT THE FORM, FIT OR FUNCTION OF THE UNIT.

It excludes natural aging of the unit, discoloration, ordinary wear and tear, ordinary weathering, sunlight fading, or rust. It excludes staining caused by mold, mildew or tree sap and damage caused by animals including insects, vermin or household pets. The warranty does not cover damage caused by Acts of Nature including but not limited to: wind in excess of 50 mph; tornado; hurricane; microburst; hail; flood; blizzard; extreme heat; pollution or fire events.

The following actions void the warranty: improper assembly; use above intended and reasonable capacity; misuse; abuse; failure to perform ordinary maintenance. Modification of the original product voids all warranties. Suncast assumes no liability for any modified product or consequences resulting from failure of a modified product.

Suncast is not responsible for: loss of use of the unit; labor for repair, inspection fees or disposal costs.

THIS WARRANTY IS NONTRANSFERABLE. IT EXCLUDES FLOOR MODELS, CLEARANCE AND OPEN BOX UNITS.

THE MANUFACTURER'S LIABILITY HEREUNDER IS LIMITED SOLELY TO THE REPLACEMENT OF THE DEFECTIVE PRODUCT OR PART AND THE MANUFACTURER SHALL IN NO EVENT BE LIABLE FOR ANY INCIDENTAL OR CONSEQUENTIAL DAMAGES WHICH MAY RESULT FROM ANY DEFECT IN MATERIAL OR WORKMANSHIP OR FROM THE BREACH OF ANY EXPRESS OR IMPLIED WARRANTY.

This warranty gives you specific legal rights, and you may also have other rights which vary from state to state. Some states do not allow the exclusion or limitation of incidental or consequential damages; the limitation or exclusion may not apply to you.

