

To learn about other Suncast products, please call
1-855-477-1260 or 1-630-879-2050.

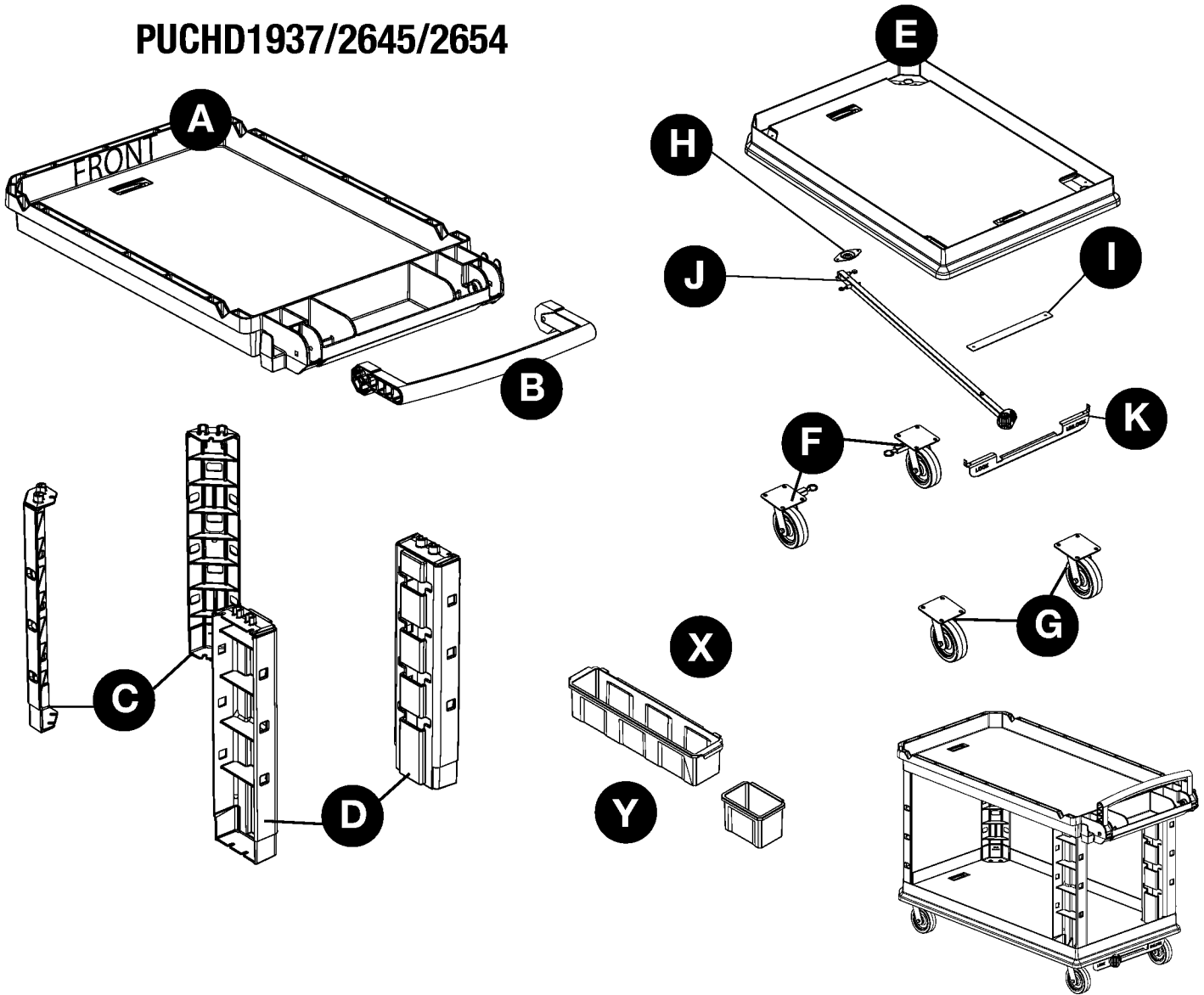


Product Feedback? Go To: Suncastcommercial.com/feedback
OR email us at: feedback@suncastcommercial.com

ITEM NUMBER: PUCHD1937 / PUCHD2645 / PUCHD2654 HEAVY DUTY

PARTS

PUCHD1937/2645/2654




INDEX NO.	PART NAME	1937	2645	2654
A	Upper Platform	0510863	0510843	0510861
B	Handle	0510865	0510847	0510847
C	Front Legs	0510846	0510846	0510846
D	Back Legs	0510845	0510845	0510845
E	Bottom Platform	0510864	0510844	0510862
F	Back Swivel Casters	0510872	0510872	0510872
G	Front Swivel Casters	0510871	0510871	0510871
H	Pivot Plate	0510851	0510851	0510851

INDEX NO.	PART NAME	1937	2645	2654
I	Slide Plate	0510877	0510852	0510852
J	Actuator	0671154	0671153	0671152
K	Lever Retainer	0631617	0631369	0631369
Q	Lanyard (Page 2)	-	0631514	0631514
X	Large Bin	0102465	0102465	0102465
Y	Small Bin	0102464	0102464	0102464
W	Lanyard Loop	0631615	-	-



BEFORE YOU BEGIN

- Read instructions thoroughly prior to assembly.
This kit contains parts that can be damaged if assembled incorrectly or in the wrong sequence.
- Please follow instructions.
Suncoast is not responsible for replacing parts lost or damaged due to incorrect assembly.
- Check for all parts before you begin assembly.
Using the provided parts check list, verify that you have all the parts required to construct your cart.
- Assistance is required during parts of the assembly. 



CAUTION

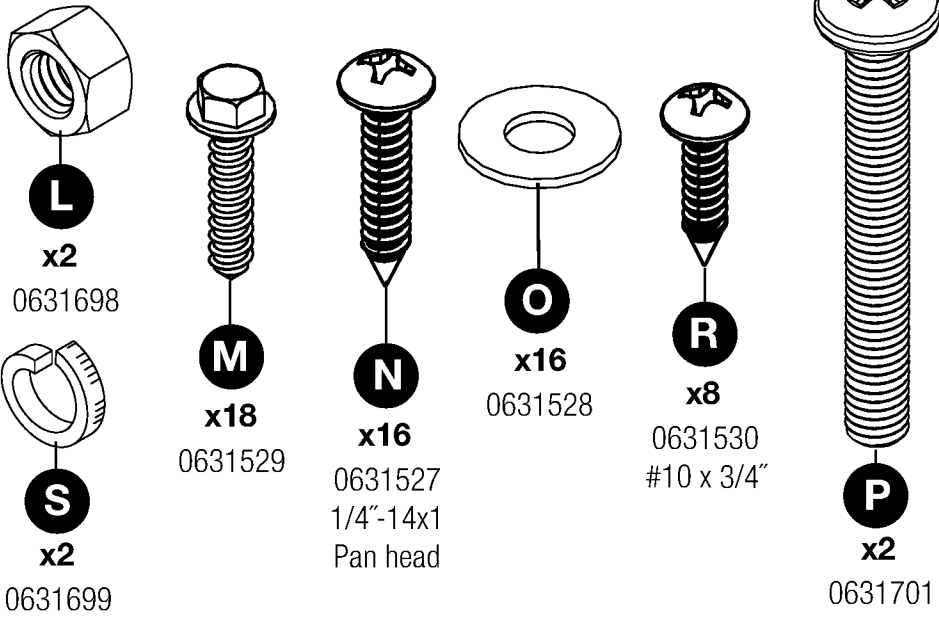
- This product is not a toy and is not intended for use by children.
- Exercise caution when moving fully loaded product.
- Do not sit or stand on top.
- This contains parts that can be damaged if assembled incorrectly or in the wrong sequence. Repair or replace broken parts immediately.
- PUCHD1937/2645 Heavy Duty Max load is 500 lbs. PUCHD2654 Heavy Duty Max load is 750 lbs.

CARE AND CLEANING

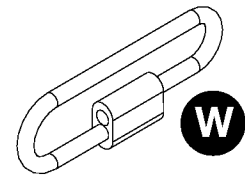
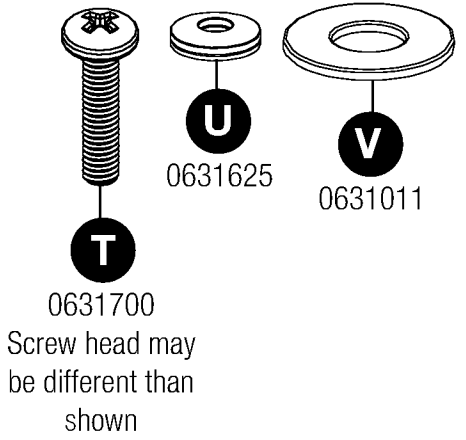
- We recommend cleaning your product with soap and water. Rinse and dry well before using..

HARDWARE

Hardware Bag 0480413A

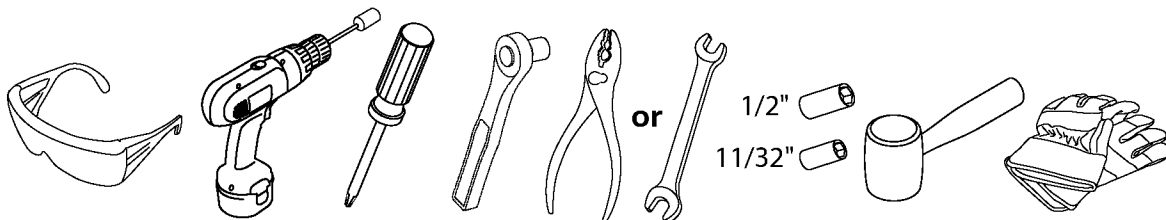


Hardware Bag Attached to actuator assembly (J).

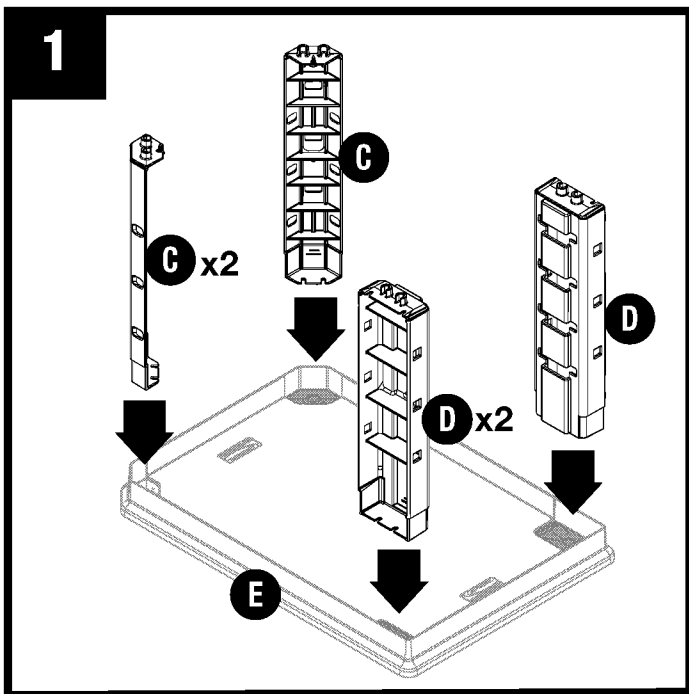


Hardware shown at actual size *(Unless otherwise noted).
 Extra hardware provided. Not all are used.

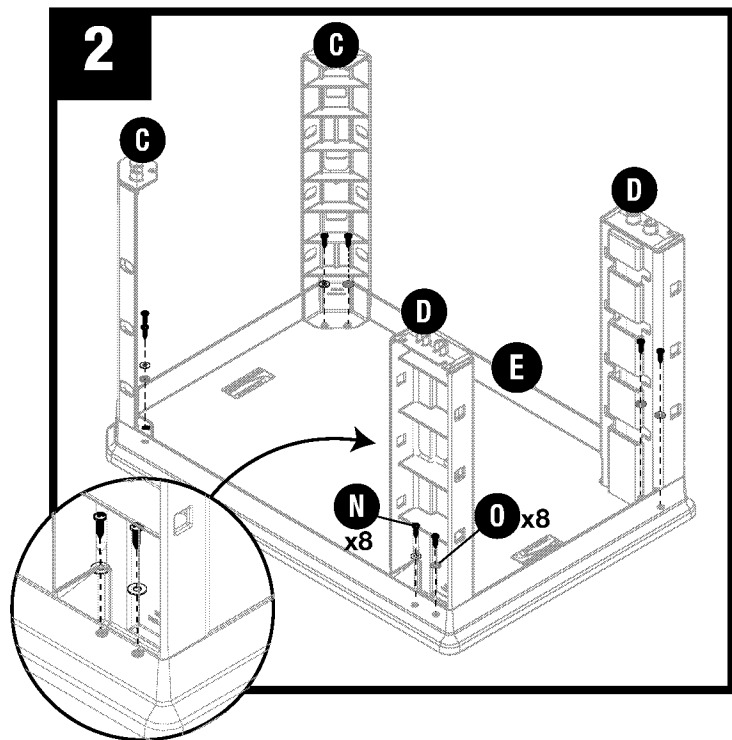
TOOLS NEEDED



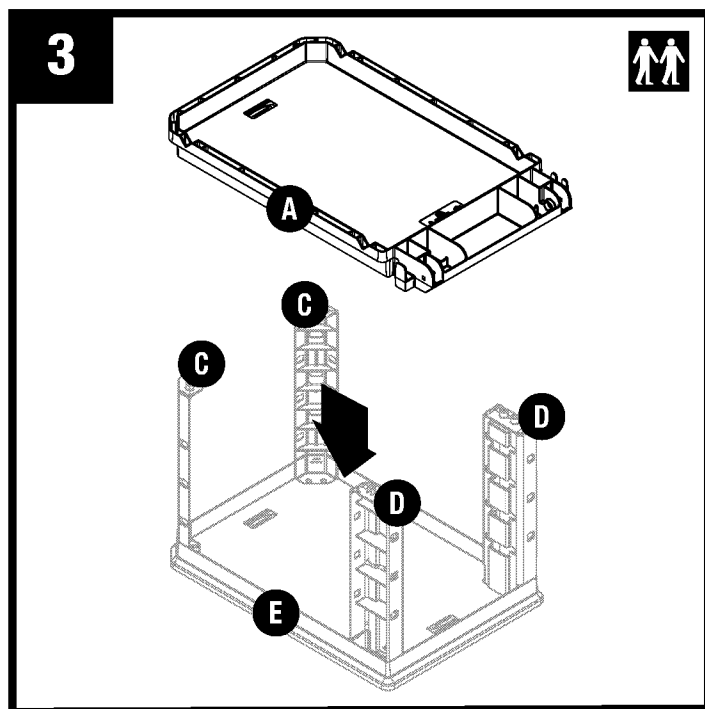
ASSEMBLY



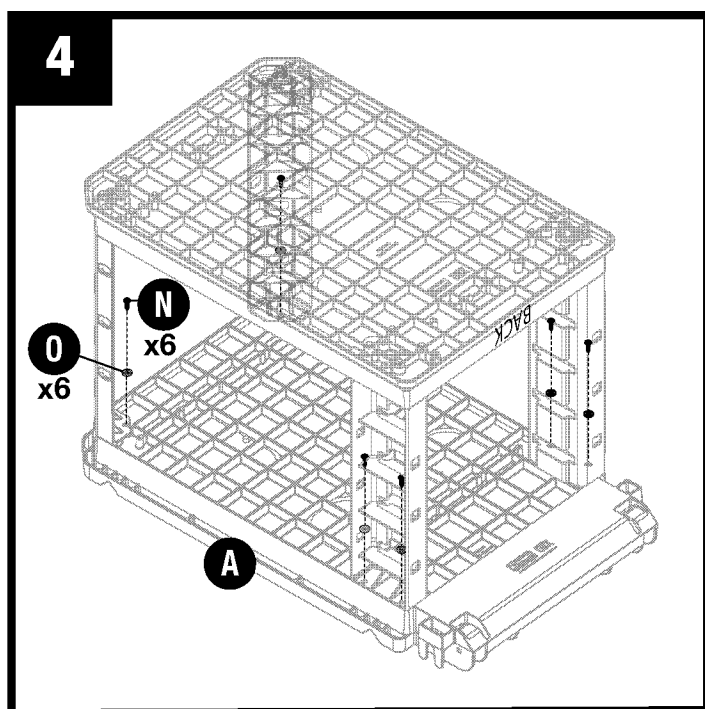
Lower each support (C/D) to bottom base (E). Peg on each leg must be inserted and pushed in hole on base. Smooth side of bottom base (E) must be up.



Attach C/D to bottom base (E) using eight washers (O) and eight screws (N).

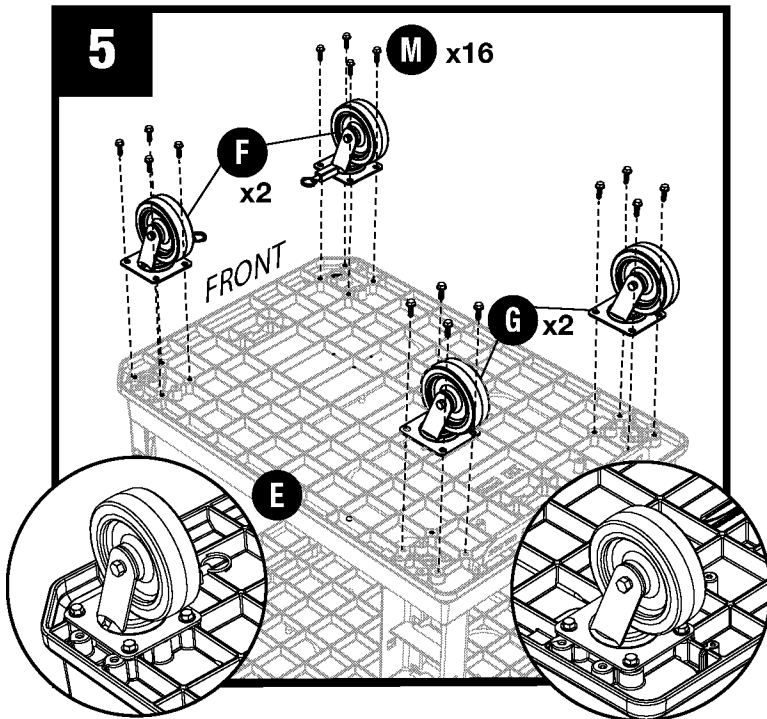


Lower top (A) onto vertical supports C/D. Push down to secure into place. Flip assembly over to attach vertical supports to (A) in step 4.

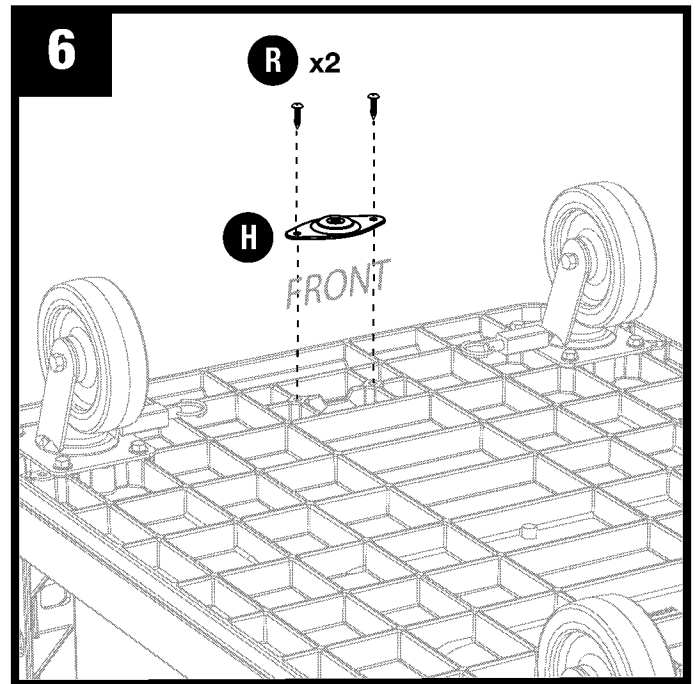


Attach each vertical leg to top (A) using six washers (O) and six screws (N).

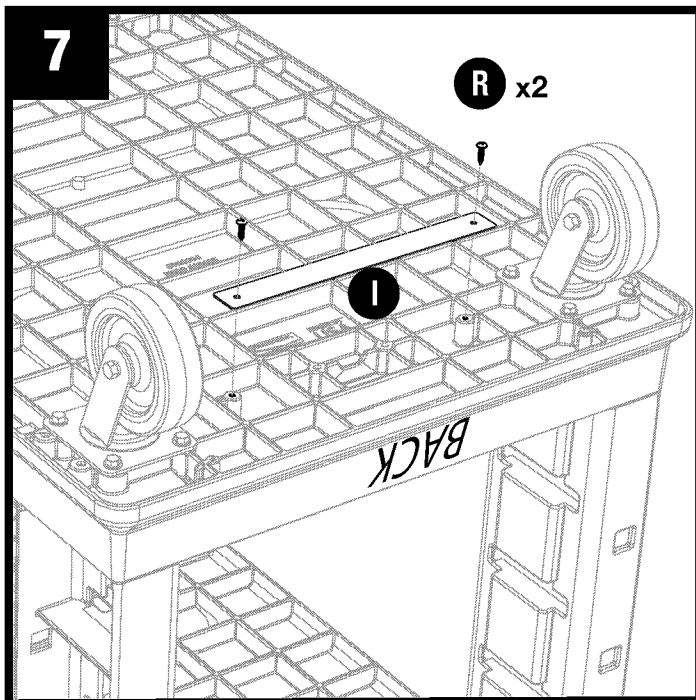
ASSEMBLY CONTINUED



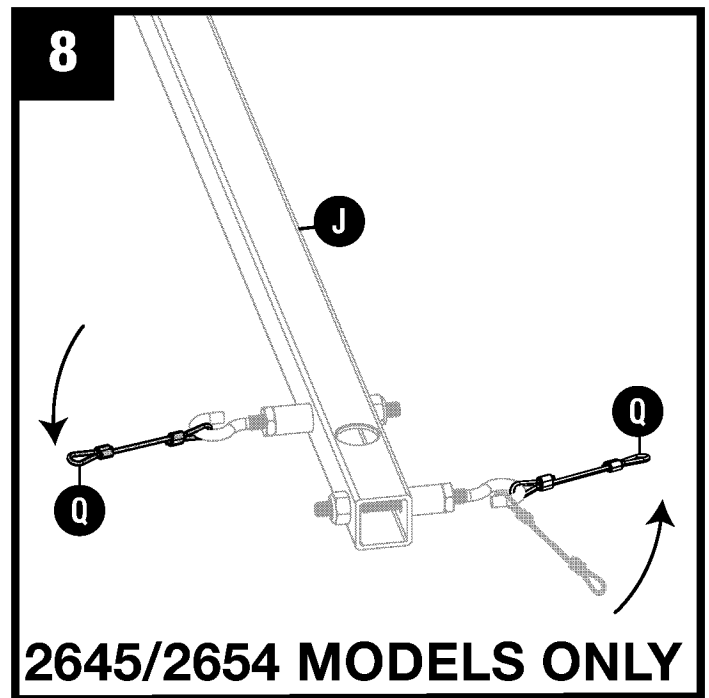
Attach each caster (F/G) to bottom (E) using sixteen screws (M). **Note:** Casters with ring should be placed on the front. Front has beveled corners. Make sure ring is in horizontal position when installing casters. Ring always faces inside!



Attach Pivot plate (H) to front of cart using two screws (R).

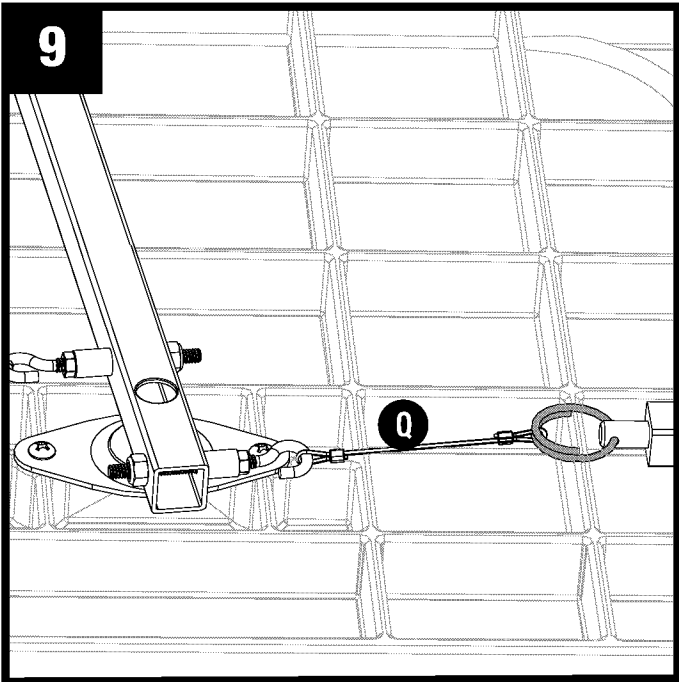


Attach slide plate to back of cart using two screws (R). **Note:** Back of cart has handle.

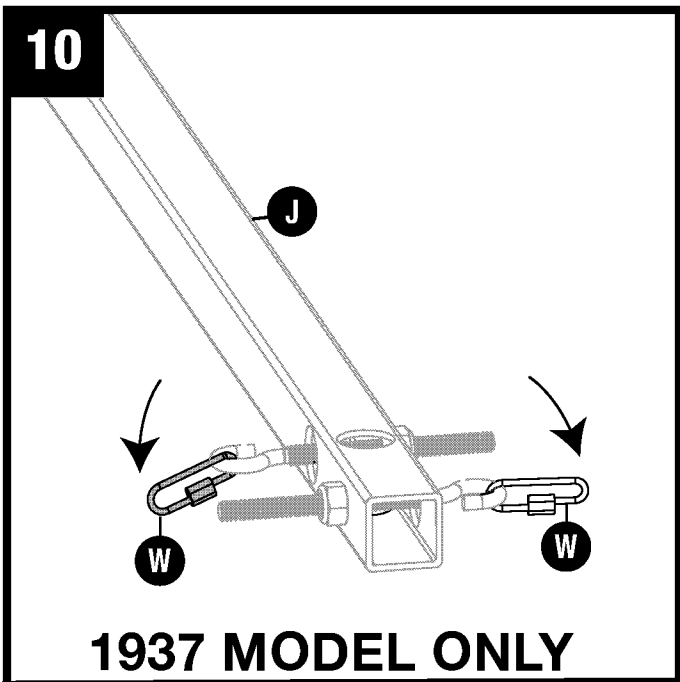


Thread lanyard (Q) onto hooks connected to (J). **Note:** Make certain nuts on opposite side of hooks are completely fastened.

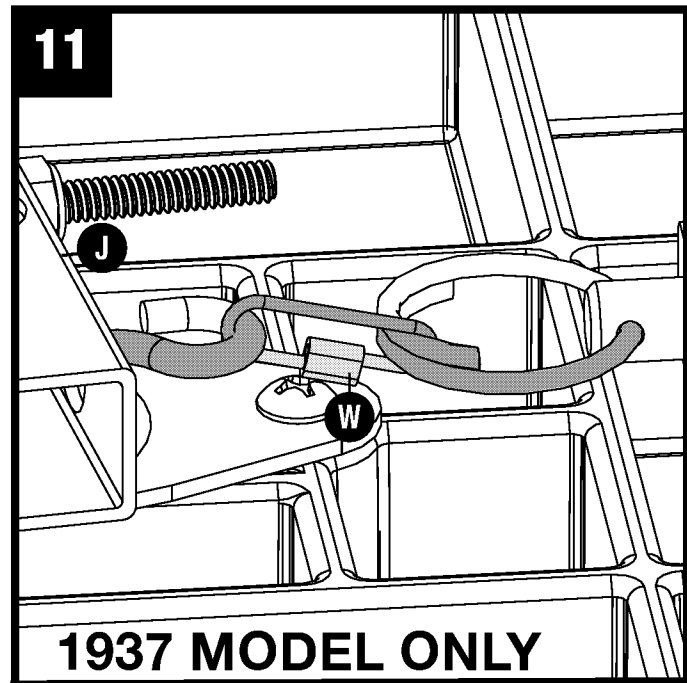
ASSEMBLY CONTINUED



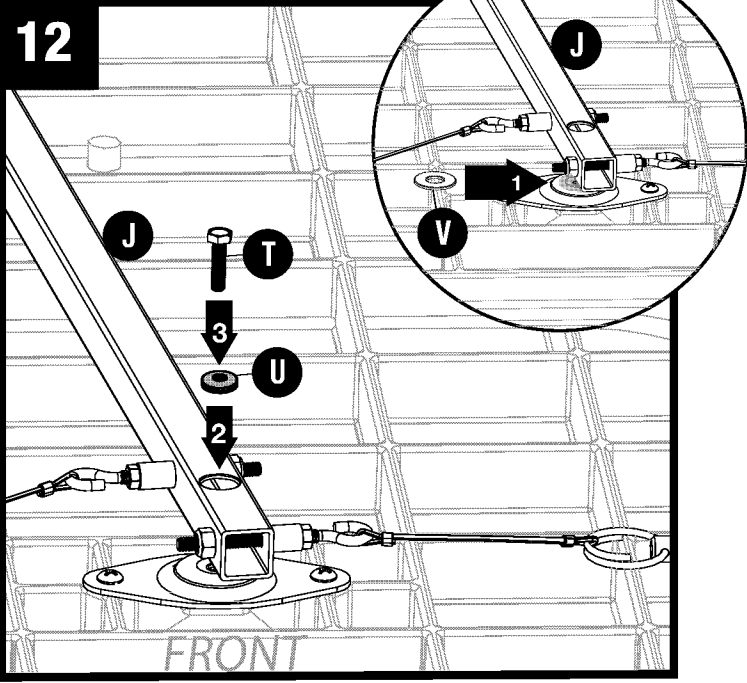
Thread lanyard (Q) onto key ring. Repeat other side. If lanyard falls off hook then thread onto ring then attach to hook.
 Note: Ring should already be attached to caster.



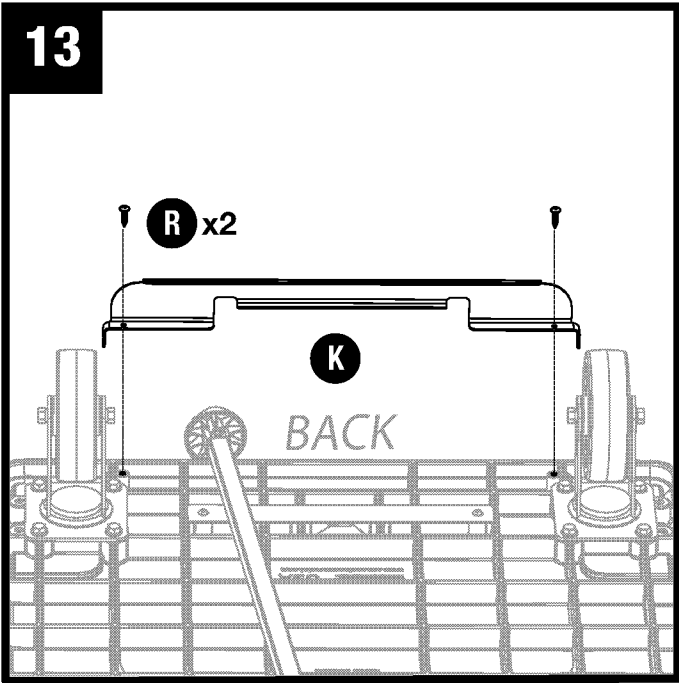
Thread lanyard loop (W) onto hooks connected to (J).
Note: Make certain nuts on opposite side of hooks are completely fastened.



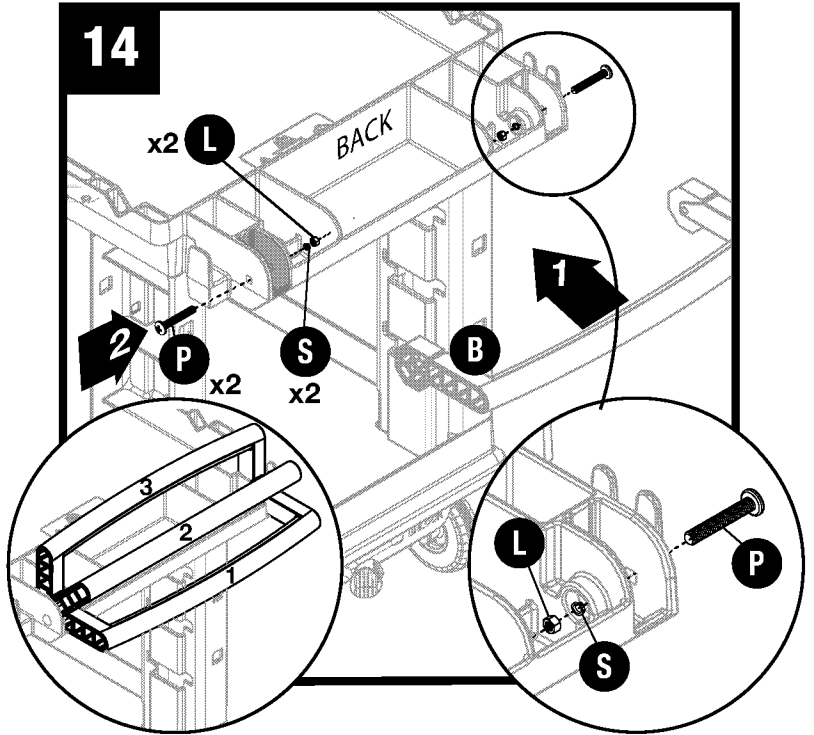
Thread clip style, lanyard loop, (W) onto key ring. Clip other end of loop onto hook. Repeat other side. **Note:** Ring should already come attached to caster.



Slide washer (V) under (J) and attach to bar using nylon washer (U) and bolt (T).

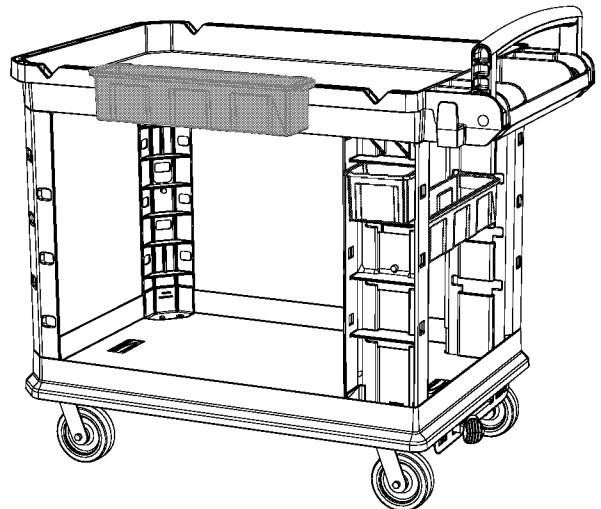
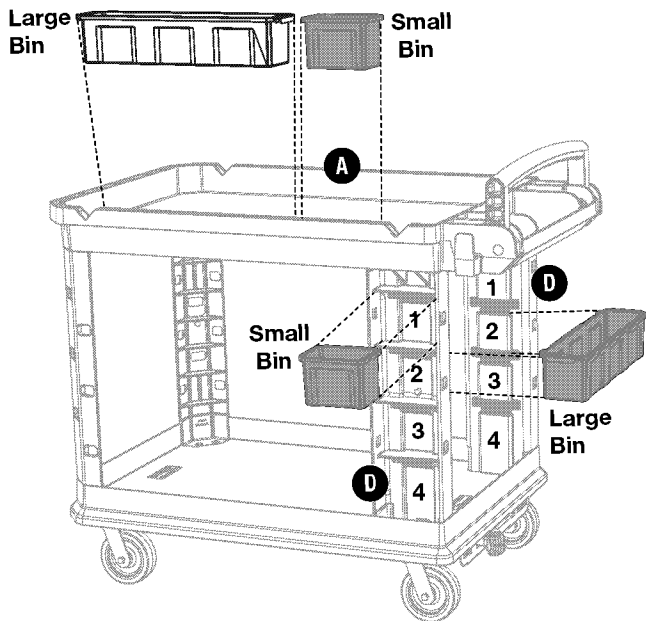


Attach bracket (K) to base using two screws (R). Flip cart over to attach handle.



Attach handle (B) to cart using two bolts (P), two lock washers (S) and two nuts (L). **Note:** There are three different handle positions.

ACCESSORIES



Insert rim of small bin on inside of leg (D) or on outside rim of cart as shown on top image. Bin can fit in five positions. Insert rim of large bins inbetween legs (D) or rim of large bin can hang off either side of upper platform (A).

