

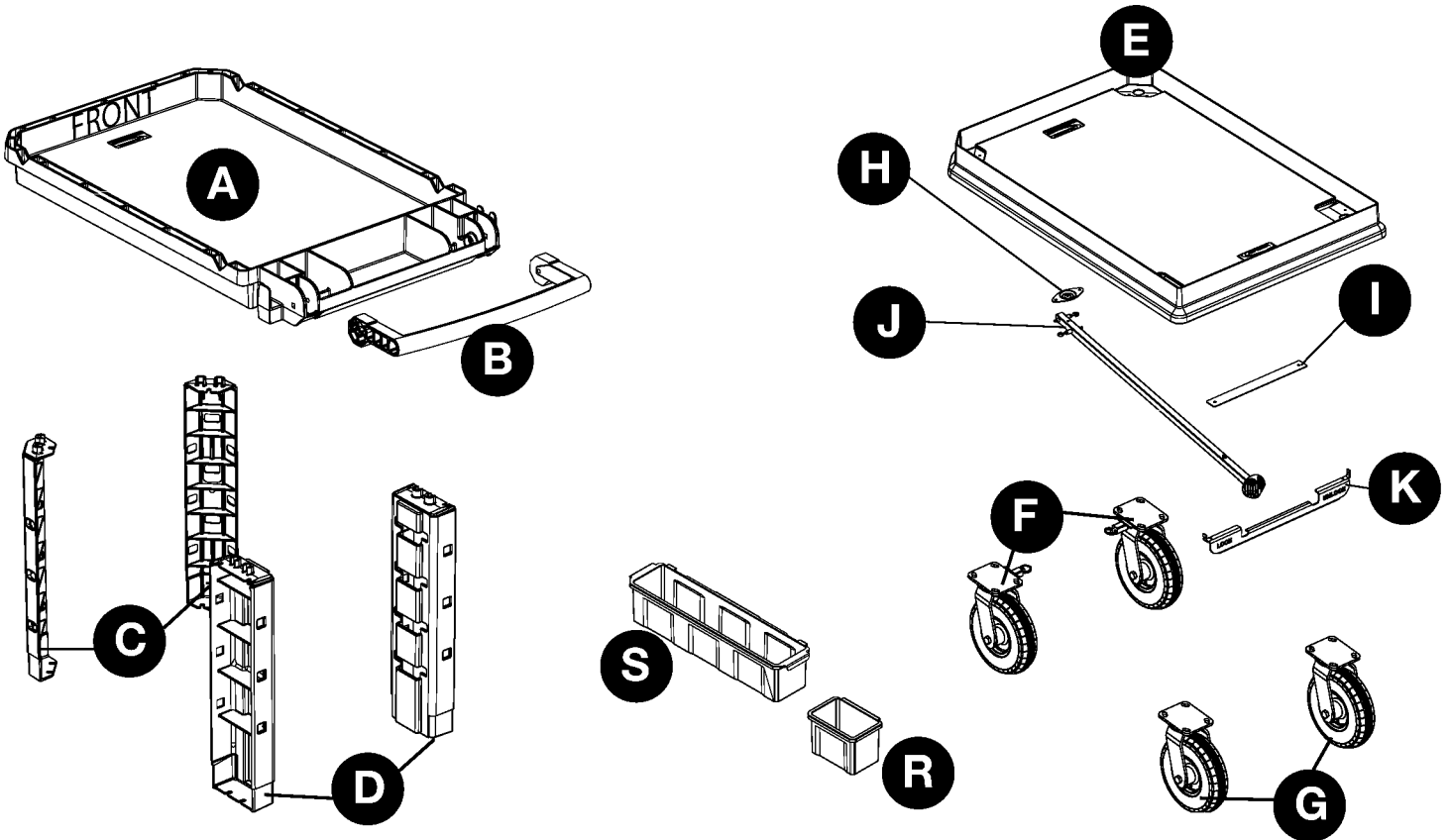
To learn about other Suncast products, please call  
1-855-477-1260 or 1-630-879-2050.



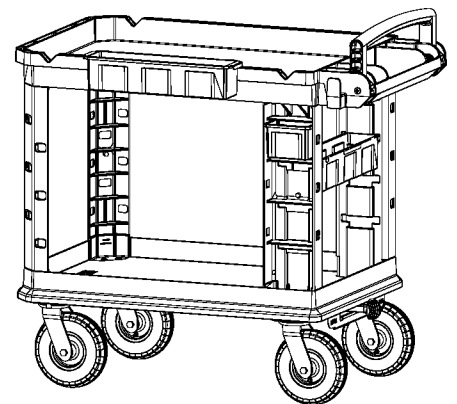
Product Feedback? Go To: [Suncastcommercial.com/feedback](http://Suncastcommercial.com/feedback)  
OR email us at: [feedback@suncastcommercial.com](mailto:feedback@suncastcommercial.com)

ITEM NUMBER: PUCPN1937 / PUCPN2645 / PUCPN2654

## PARTS




INDEX NO.	PART NAME	QTY	PUCPN1937	PUCPN2645	PUCPN2654
A	Upper Platform	1	0510863	0510843	0510861
B	Handle	1	0510865	0510847	0510847
C	Front Legs	2	0510846	0510846	0510846
D	Back Legs	2	0510845	0510845	0510845
E	Bottom Platform	1	0510864	0510844	0510862
F	Swivel Casters	2	0510887	0510887	0510887
G	Swivel Casters	2	0510886	0510886	0510886
H	Pivot Plate	1	0510851	0510851	0510851
I	Slide Plate	1	0510877	0510852	0510852
J	Actuator	1	0671220	0671153	0671152
K	Lever Retainer	1	0631617	0631619	0631619
Q	Lanyard (Page 3)	2	N/A	0631514	0631514
R	Small Bin	4	0102464	0102464	0102464
S	Large Bin	2	0102465	0102465	0102465





## BEFORE YOU BEGIN

- Read instructions thoroughly prior to assembly.  
This kit contains parts that can be damaged if assembled incorrectly or in the wrong sequence.
- Please follow instructions.  
Suncast is not responsible for replacing parts lost or damaged due to incorrect assembly.
- Check for all parts before you begin assembly.  
Using the provided parts check list, verify that you have all the parts required to construct your cart.
- Assistance is required during parts of the assembly. 



## CAUTION

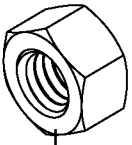
- This product is not a toy and is not intended for use by children.
- Exercise caution when moving fully loaded product.
- Do not sit or stand on top.
- This contains parts that can be damaged if assembled incorrectly or in the wrong sequence. Repair or replace broken parts immediately.
- PUCPN1937/2645 Heavy Duty Max load is 500 lbs. PUCPN2654 Heavy Duty Max load is 750 lbs.

## CARE AND CLEANING

- We recommend cleaning your product with soap and water. Rinse and dry well before using..

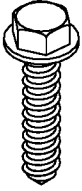
# HARDWARE

## Hardware Bag 0480413A



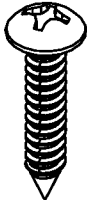
**L**  
x2

0631698



**M**  
x18

0631529



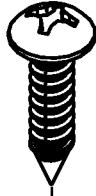
**N**  
x16

0631527  
1/4"-14x1  
Pan head



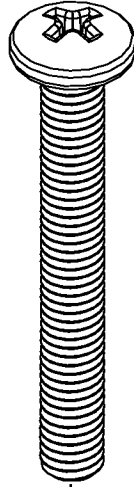
**O**  
x16

0631528



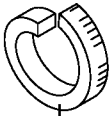
**R**  
x8

0631530  
#10 x 3/4"



**P**  
x2

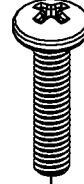
0631701



**S**  
x2

0631699

## Hardware Bag Attached to actuator assembly (J).



**T**

0631700  
Screw head may  
be different than  
shown



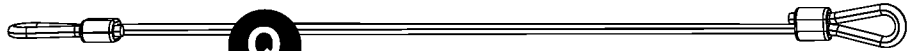
**U**

0631625



**V**

0631011



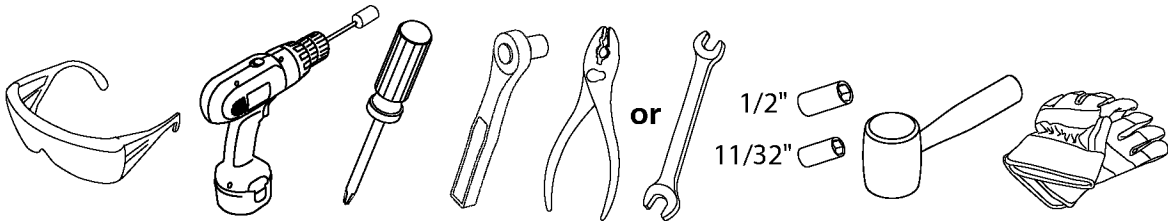
**Q**

x2

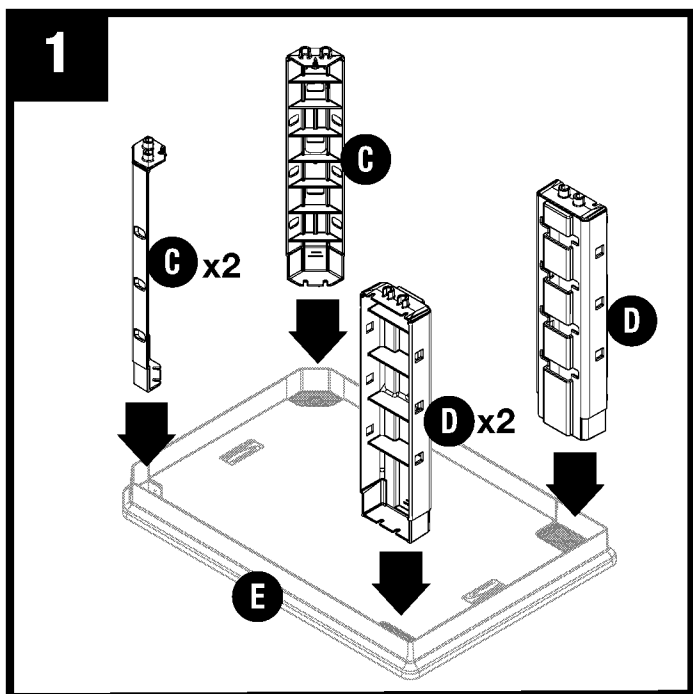
PUCPN2645/2654 0631618

Hardware shown at actual size \*(Unless otherwise noted).  
Extra hardware provided. Not all are used.

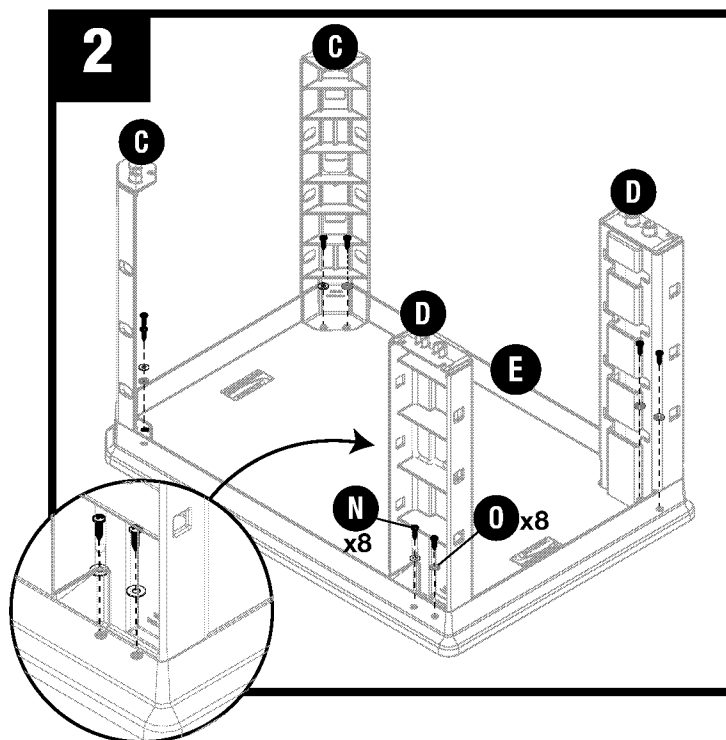
# TOOLS NEEDED



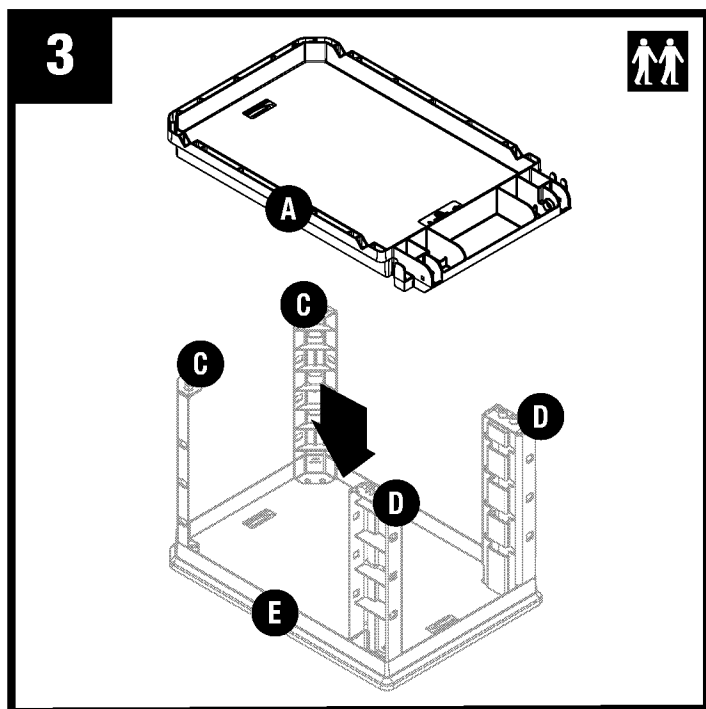
# ASSEMBLY



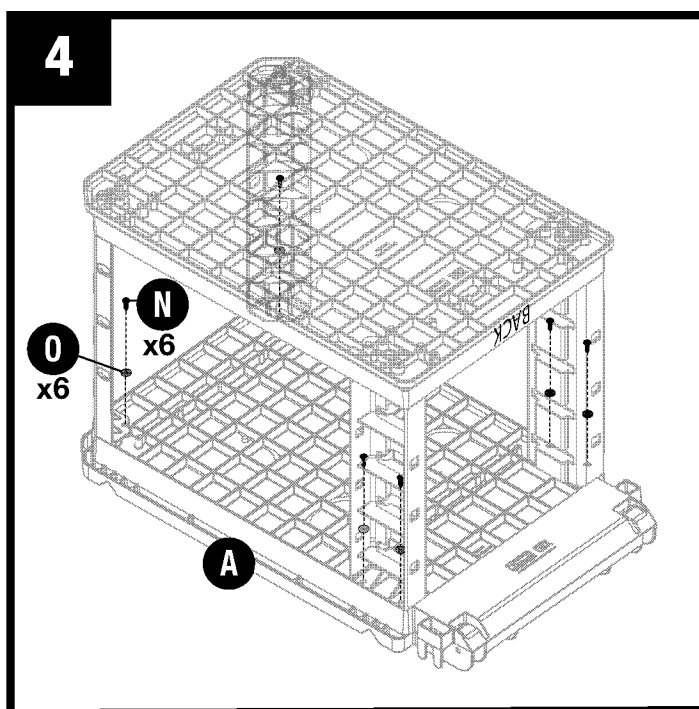
Lower each support (C/D) to bottom base (E). Peg on each leg must be inserted and pushed in hole on base. Smooth side of bottom base (E) must be up.



Attach C/D to bottom base (E) using eight washers (O) and eight screws (N).

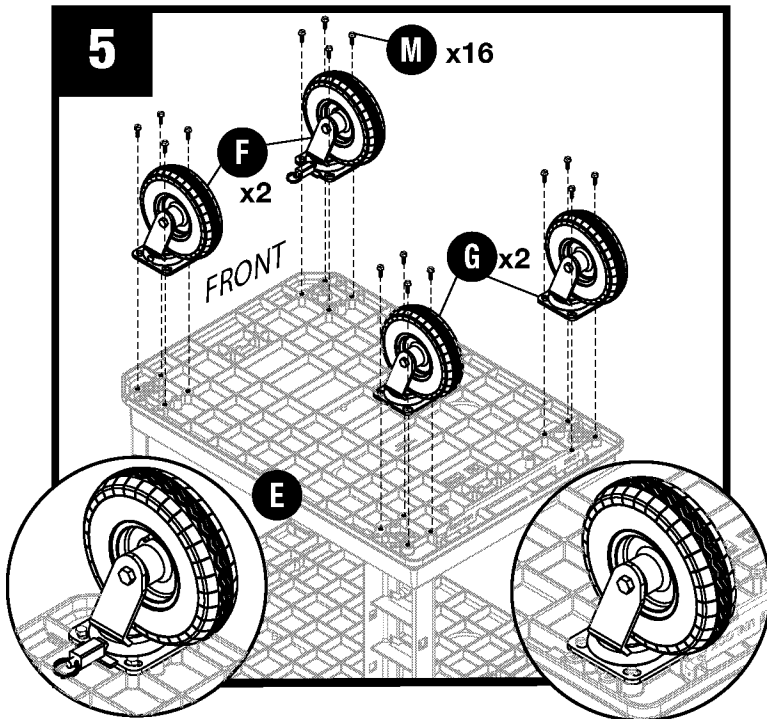


Lower top (A) onto vertical supports C/D. Push down to secure into place. Flip assembly over to attach vertical supports to (A) in step 4.

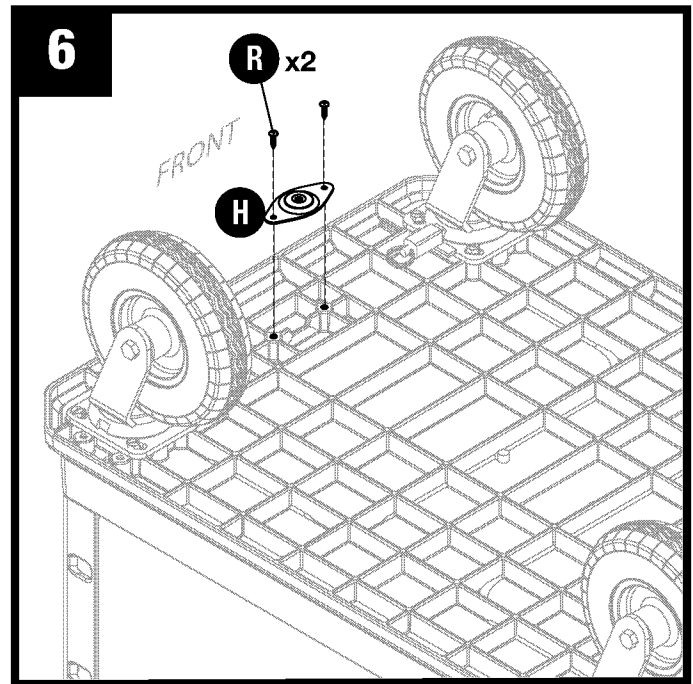


Attach each vertical leg to top (A) using six washers (O) and six screws (N).

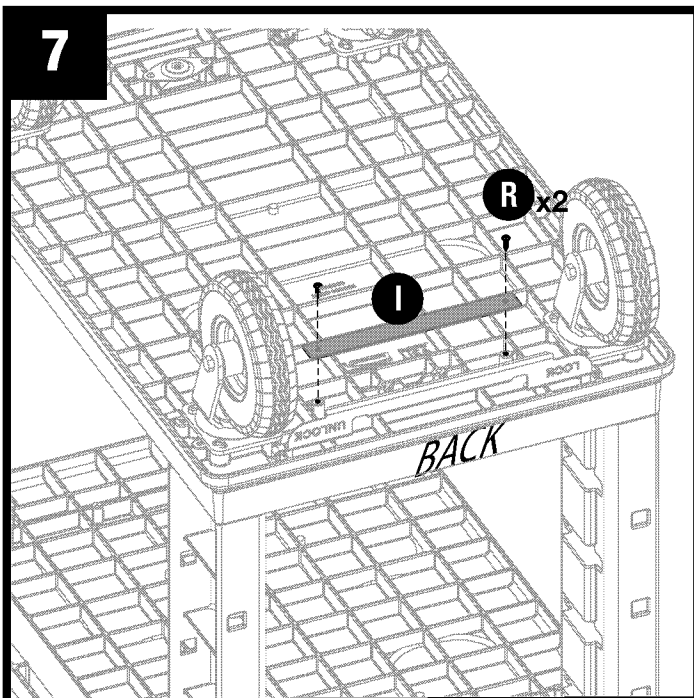
# ASSEMBLY CONTINUED



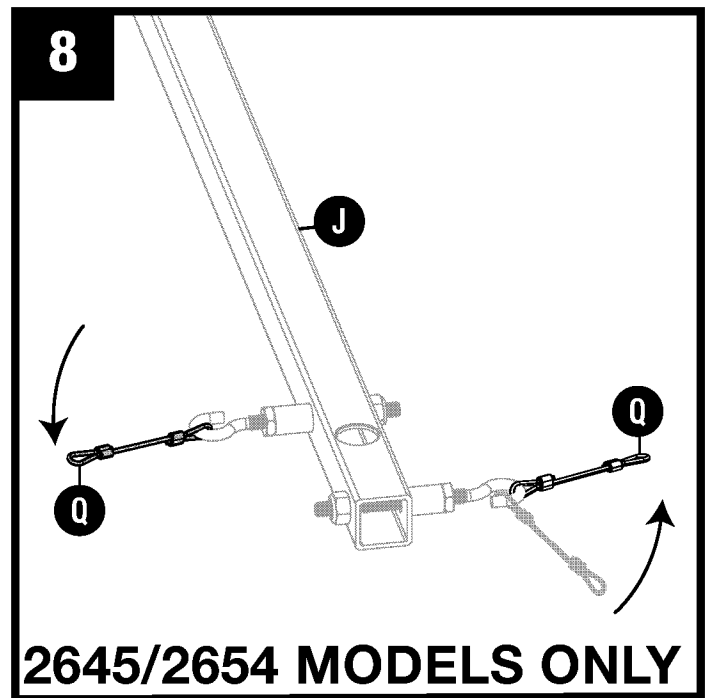
Attach each caster (F/G) to bottom (E) using sixteen screws (M).  
**Note:** Casters with ring should be placed on the front. Front has beveled corners. Make sure ring is in horizontal position when insalling casters. Ring always faces inside!



Attach Pivot plate (H) to front of cart using two screws (R).

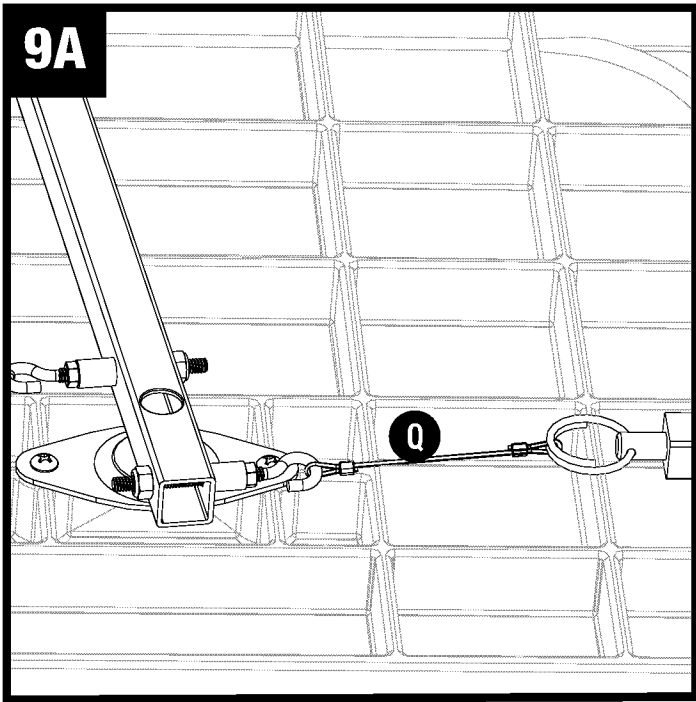


Attach slide plate to back of cart using two screws (R).  
**Note:** Back of cart has handle.

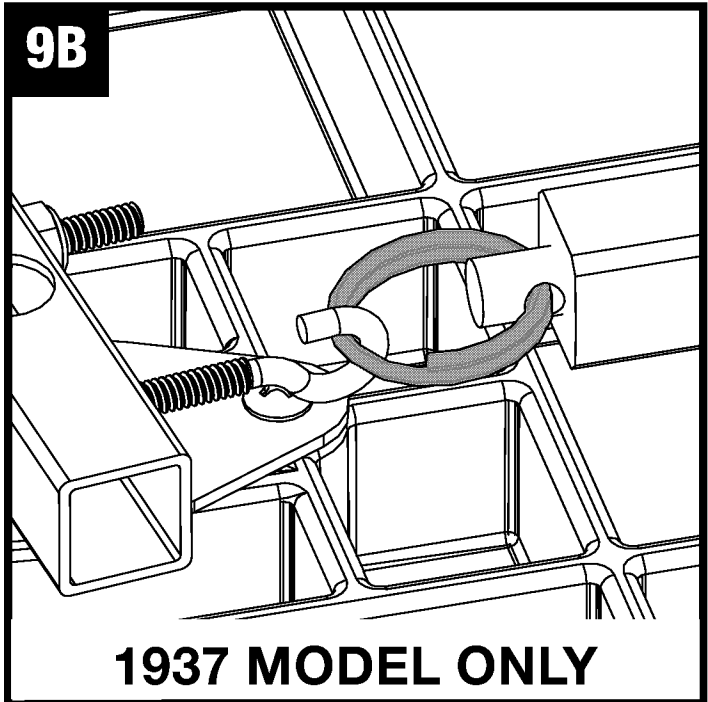


Thread lanyard (Q) onto hooks connected to (J).  
**Note:** Make certain nuts on opposite side of hooks are completely fastened.  
**NOTE:** Model 1937 does not use lanyard Q.

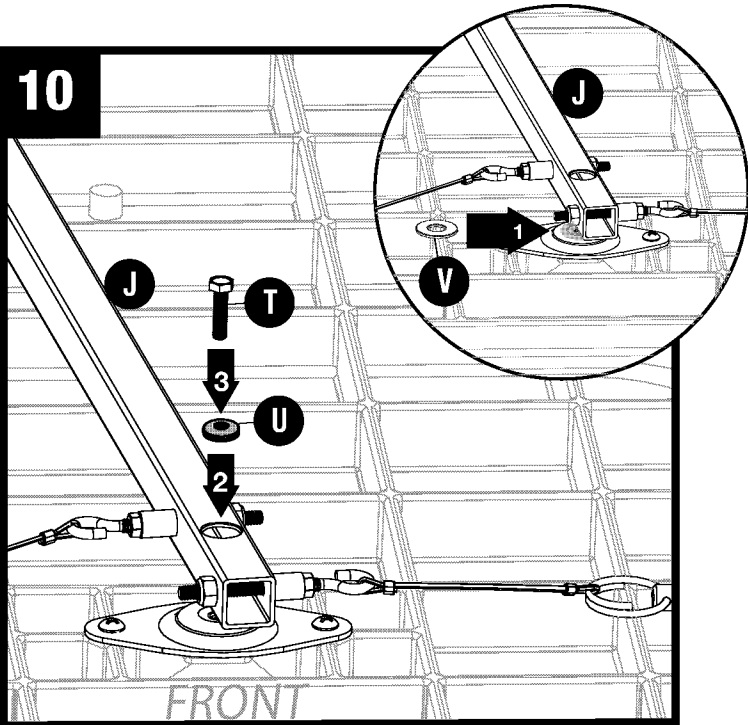
# ASSEMBLY CONTINUED



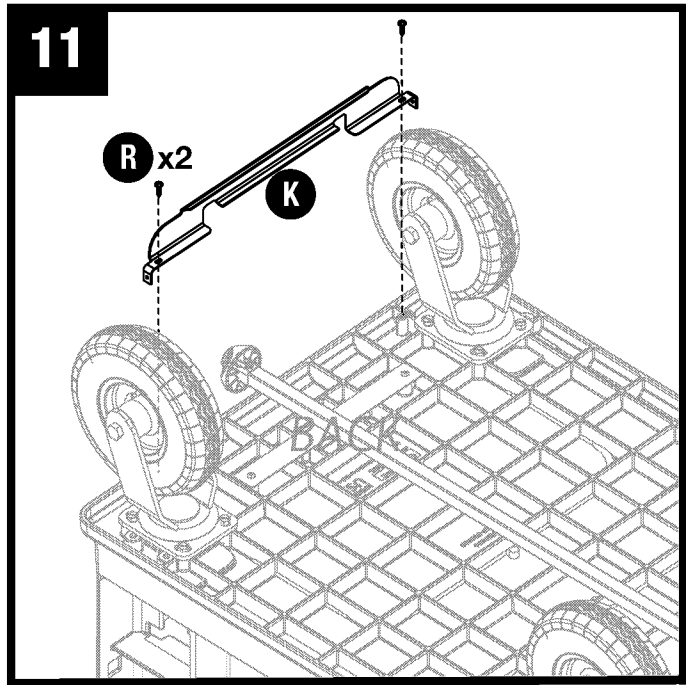
Thread lanyard (Q) onto key ring. Repeat other side. If lanyard falls off hook then thread onto ring then attach to hook.  
Note: Ring should already be attached to caster.



Attach hook to ring on caster. Repeat with the other side.



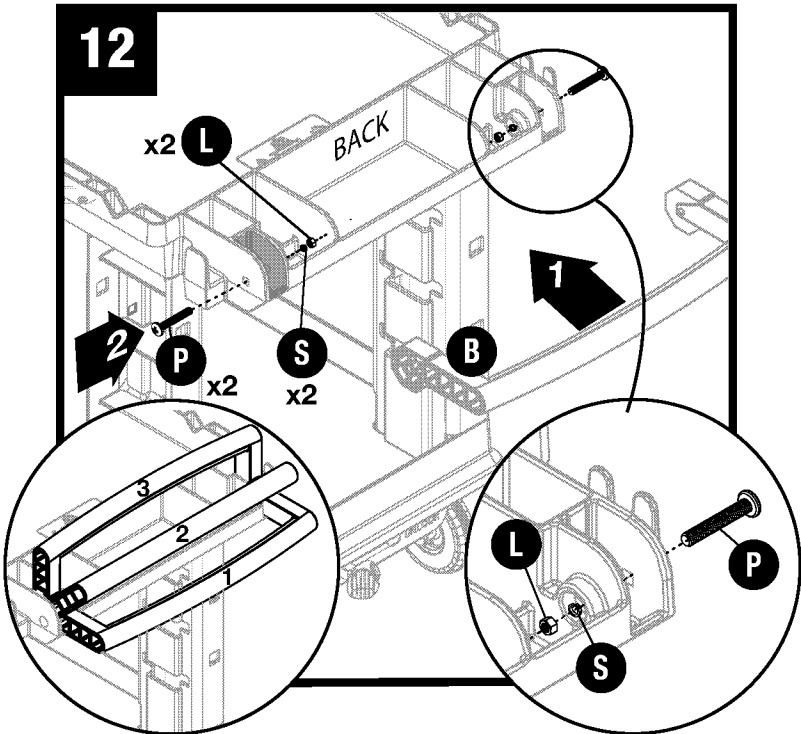
Slide washer (V) under (J) and attach to bar using nylon washer (U) and bolt (T).



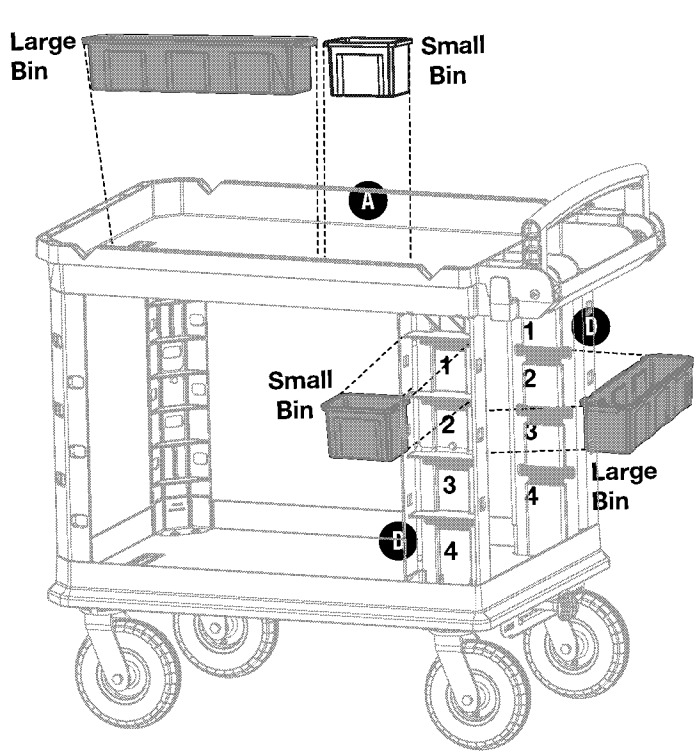
Attach bracket (K) to base using two screws (R). Flip cart over to attach handle.

# ASSEMBLY CONTINUED

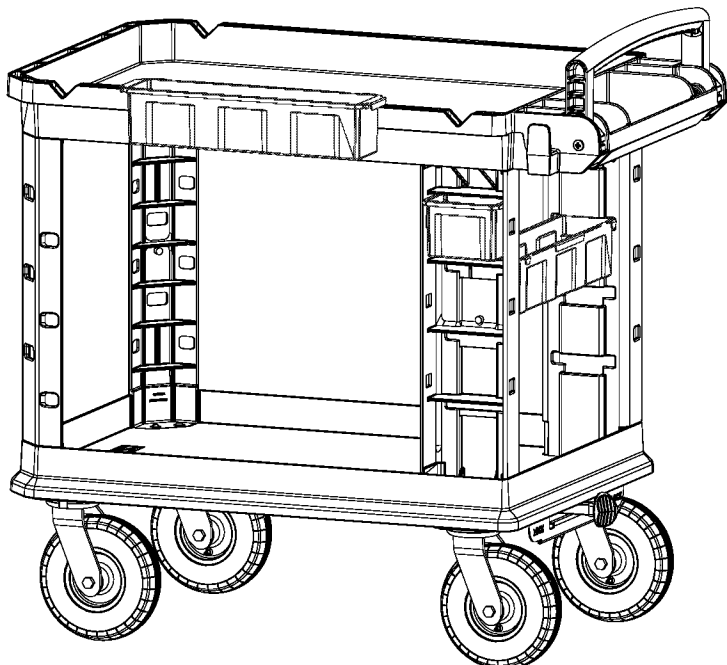
# ACCESSORIES



Attach handle (B) to cart using two bolts (P), two lock washers (S) and two nuts (L). **Note:** There are three different handle positions.



Insert rim of small bin on inside of leg (D) or on outside rim of cart as shown on top image. Bin can fit in five positions. Insert rim of large bins inbetween legs (D) or rim of large bin can hang off either side of upper platform (A).



Complete

