

To learn about other Suncast products, please call 1-855-477-1260 or 1-630-879-2050.

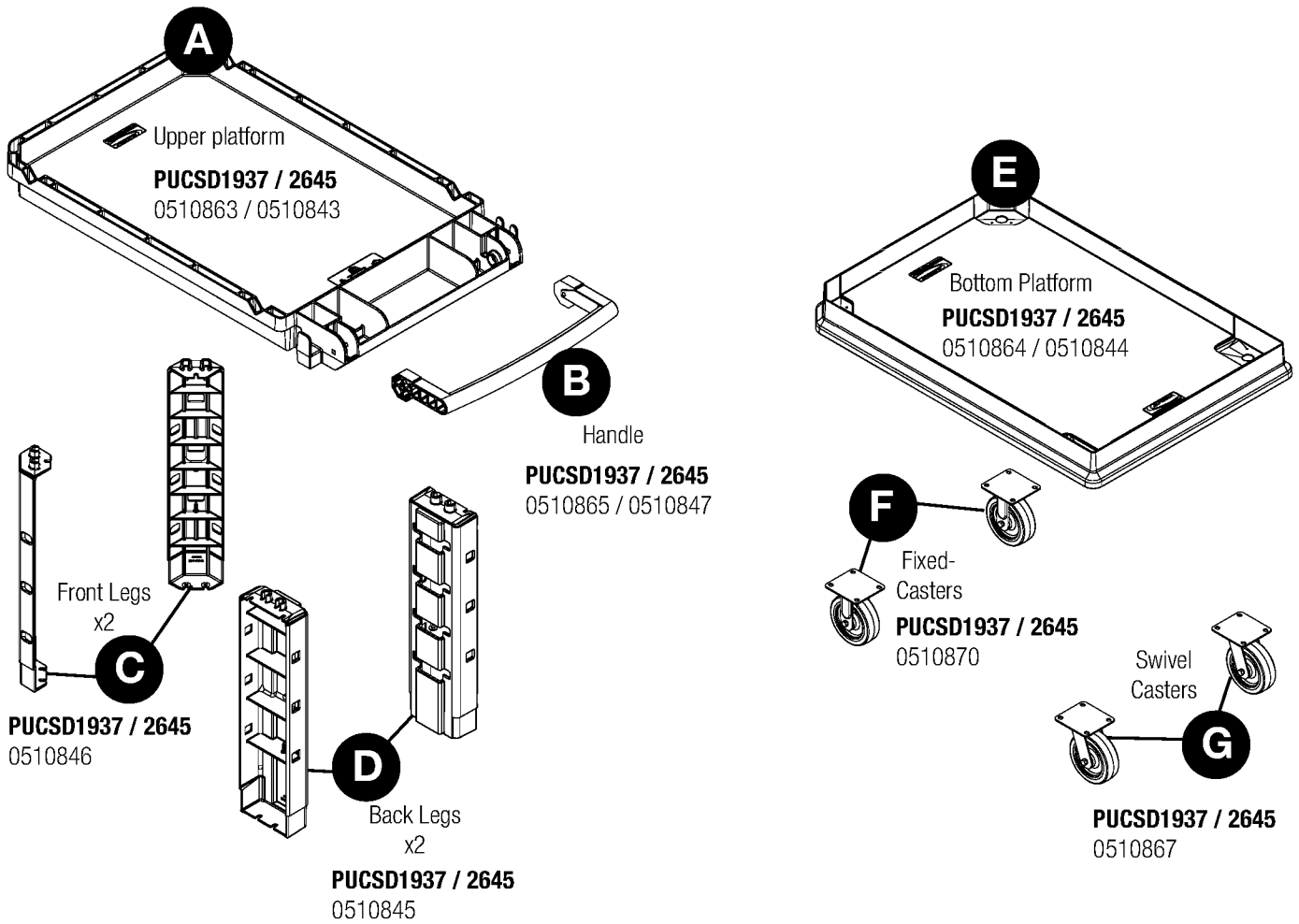


Product Feedback? Go To: Suncastcommercial.com/feedback OR email us at: feedback@suncastcommercial.com

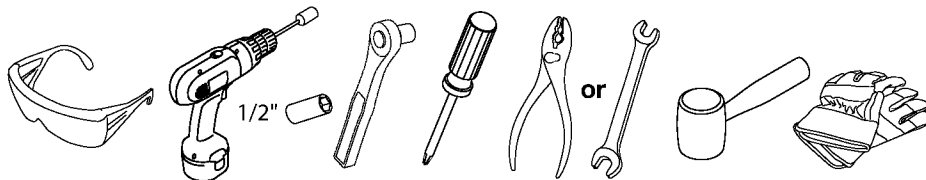
ITEM NUMBER: PUCSD1937 / PUCSD2645 STANDARD DUTY

PARTS

PUCSD1937/2645



TOOLS NEEDED



BEFORE YOU BEGIN

- Read instructions thoroughly prior to assembly.
This kit contains parts that can be damaged if assembled incorrectly or in the wrong sequence.
- Please follow instructions.
Suncoast is not responsible for replacing parts lost or damaged due to incorrect assembly.
- Check for all parts before you begin assembly.
Using the provided parts check list, verify that you have all the parts required to construct your cart.
- Assistance is required during parts of the assembly.

CAUTION

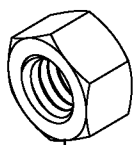
- This product is not a toy and is not intended for use by children.
- Exercise caution when moving fully loaded product.
- Do not sit or stand on top.
- This contains parts that can be damaged if assembled incorrectly or in the wrong sequence. Repair or replace broken parts immediately.
- PUCSD1937/2645 Standard Duty Max load is 500 lbs.

CAUTION

- We recommend cleaning your product with soap and water. Rinse and dry well before using..

HARDWARE

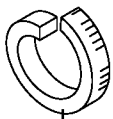
0480413A



L

x2

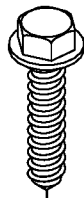
0631698



S

x2

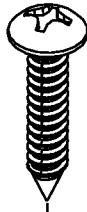
0631699



M

x18

0631529



N

x16

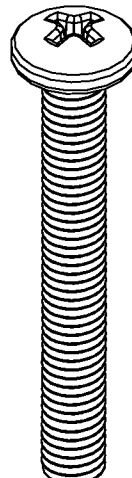
0631527



O

x16

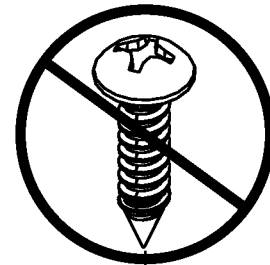
0631528



P

x2

0631701



R

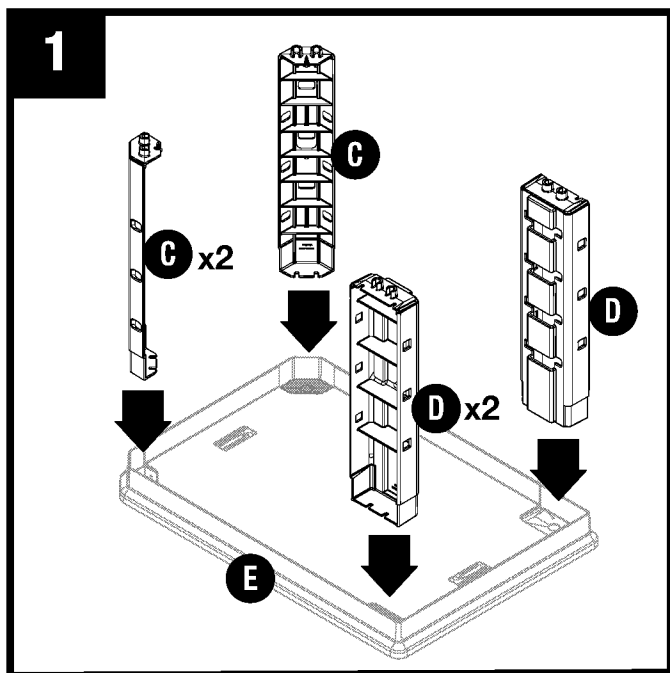
x8

0631530

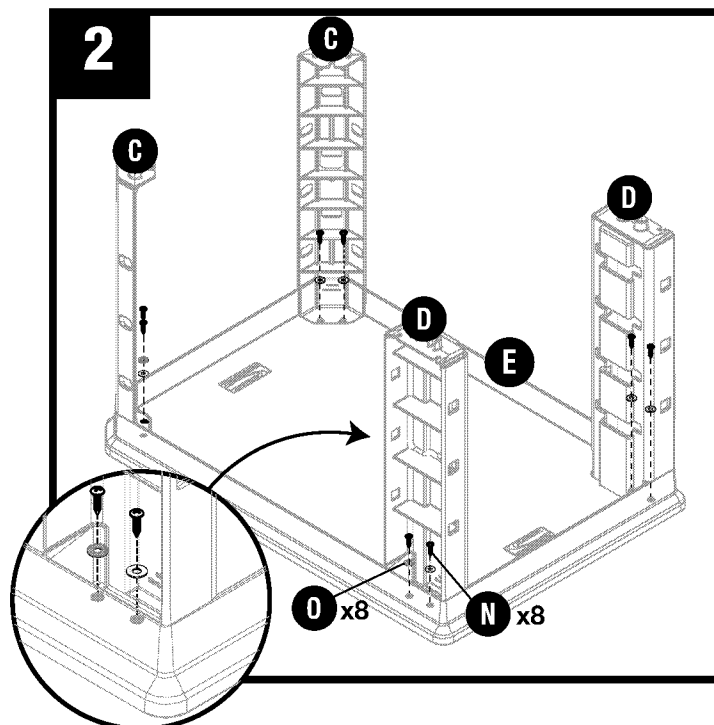
Not used in
manual

Hardware shown at actual size *(Unless otherwise noted). Extra hardware provided. Not all are used.

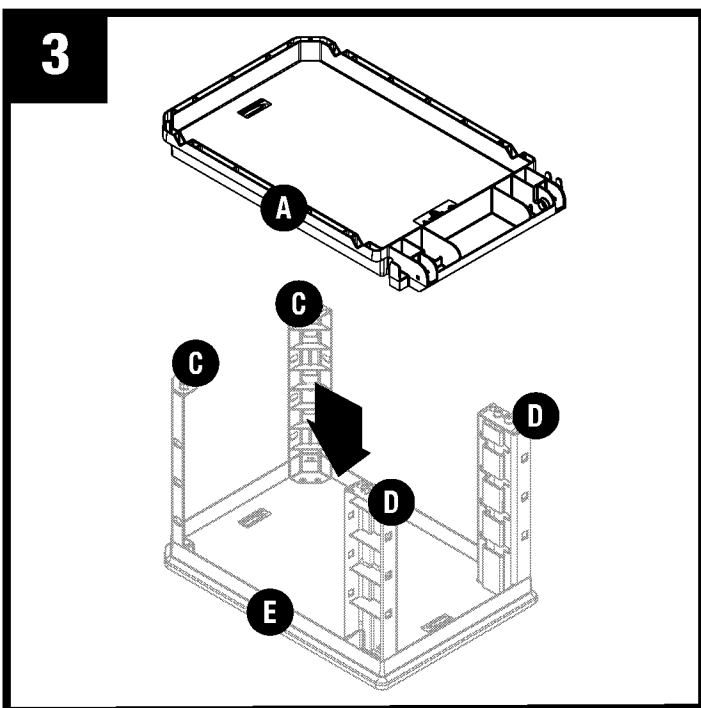
ASSEMBLY



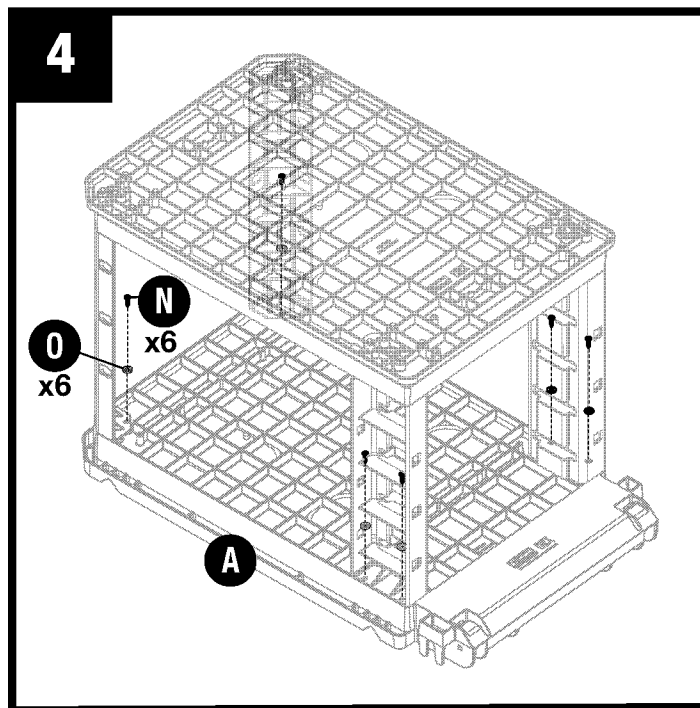
Lower each support (C/D) to bottom base (E). Peg on each leg must be inserted and pushed in hole on base. Smooth side of bottom base (E) must be up.



Attach C/D to bottom base (E) using eight washers (O) and eight screws (N).



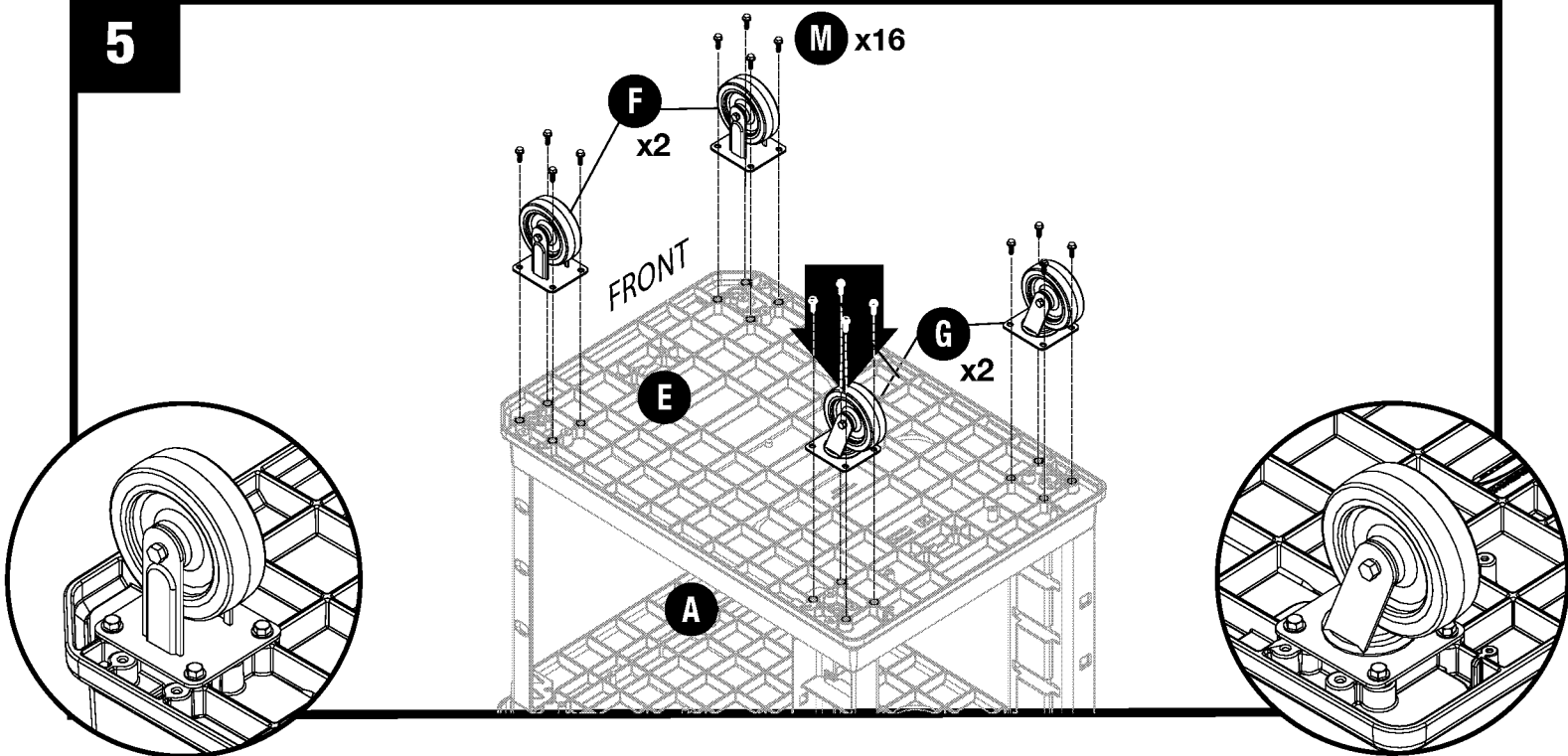
Lower top (A) onto vertical supports C/D. Push down to secure into place. Flip assembly over to attach vertical supports to (A) in step 4.



Attach each vertical support to top (A) using six washers (O) and six screws (N)

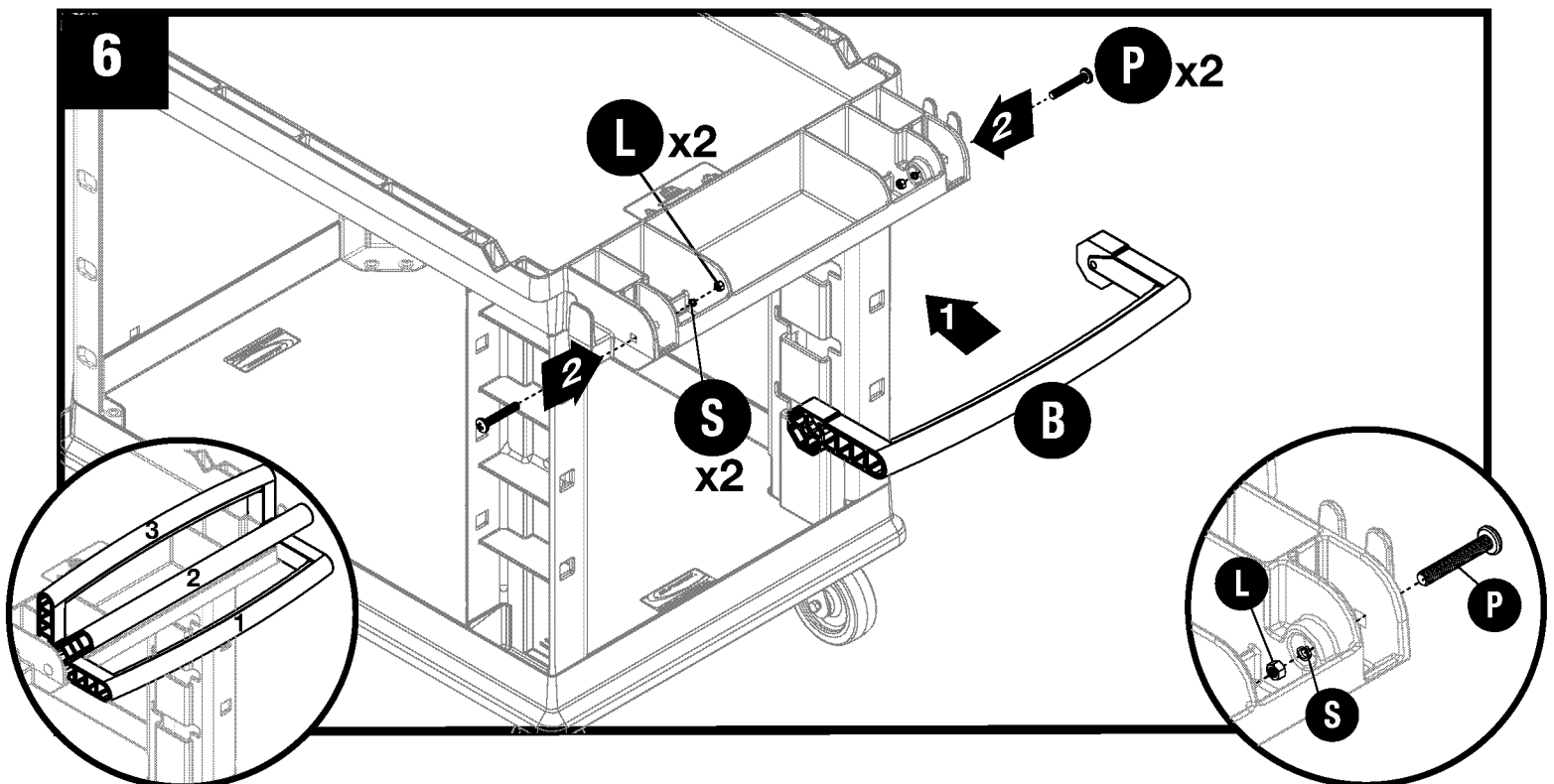
ASSEMBLY

5



Attach each caster (F/G) to bottom (E) using sixteen screws (M). **Note:** Front casters (F) are fixed casters and back casters (G) are swivel. Front has beveled corners.

6



Attach handle (B) to cart using two bolts (P), two lock washers (S) and two nuts (L). **Note:** There are three different handle positions.