



To learn about other Suncast products, please call
1-855-477-1260 or 1-630-879-2050.

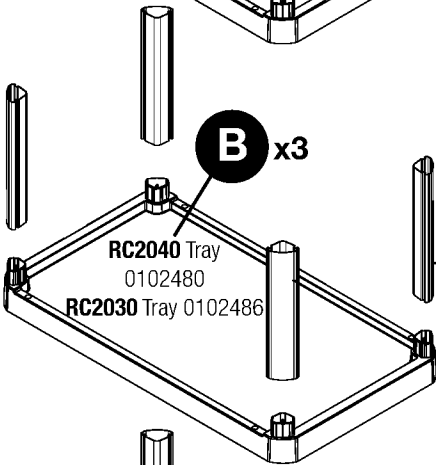
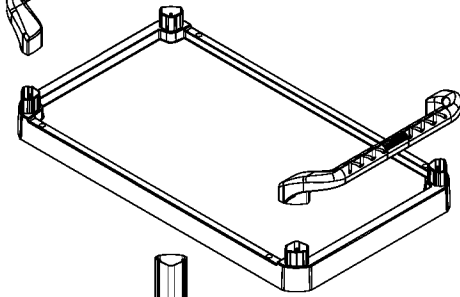


Product Feedback? Go To: Suncastcommercial.com/feedback
OR email us at: feedback@suncastcommercial.com

ITEM NUMBER: RC2030/RC2040

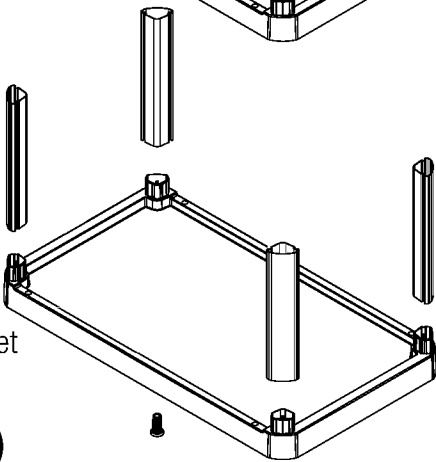
PARTS

A x2 Handle
0102481

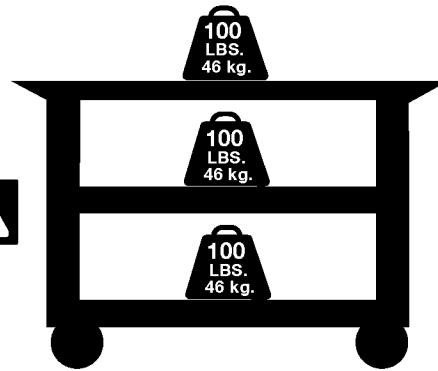


Caster Socket
0102482

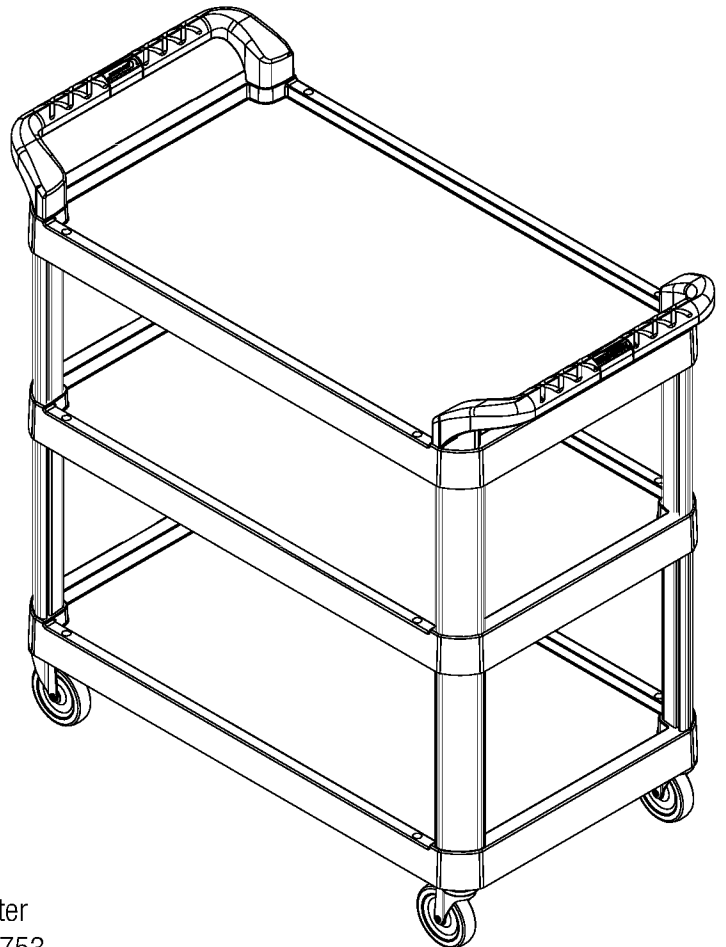
F
x4




G
x4
Caster
0631753



300
LBS
135 kg.



BEFORE YOU BEGIN

- Read instructions thoroughly prior to assembly.
This kit contains parts that can be damaged if assembled incorrectly or in the wrong sequence.
- Please follow instructions.
Suncast is not responsible for replacing parts lost or damaged due to incorrect assembly.
- Check for all parts before you begin assembly.
Using the provided parts check list, verify that you have all the parts required to construct your cart.
- Assistance is required during parts of the assembly. 

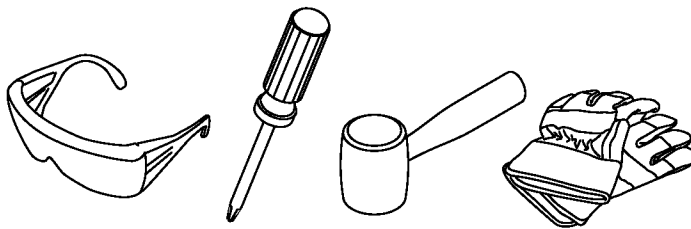
CAUTION

- This product is not a toy and is not intended for use by children.
- Exercise caution when moving fully loaded product.
- Do not sit or stand on top.
- This contains parts that can be damaged if assembled incorrectly or in the wrong sequence.
Repair or replace broken parts immediately.
- Max load is 300 lbs. 100 lbs. per tray.

CARE INSTRUCTIONS

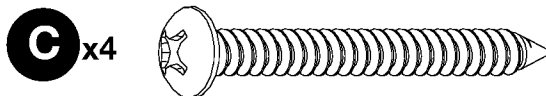
- We recommend cleaning your product with soap and water. Rinse and dry well before using.

TOOLS NEEDED

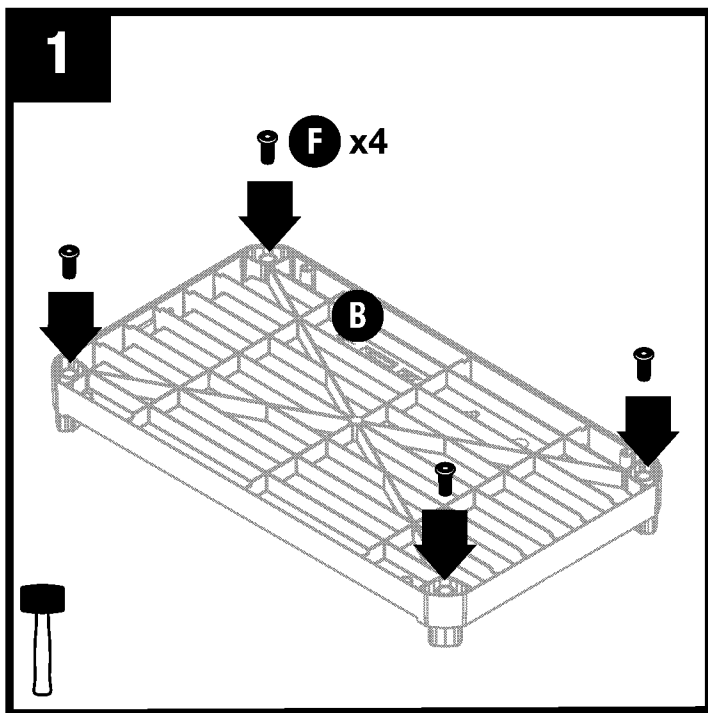


HARDWARE NEEDED

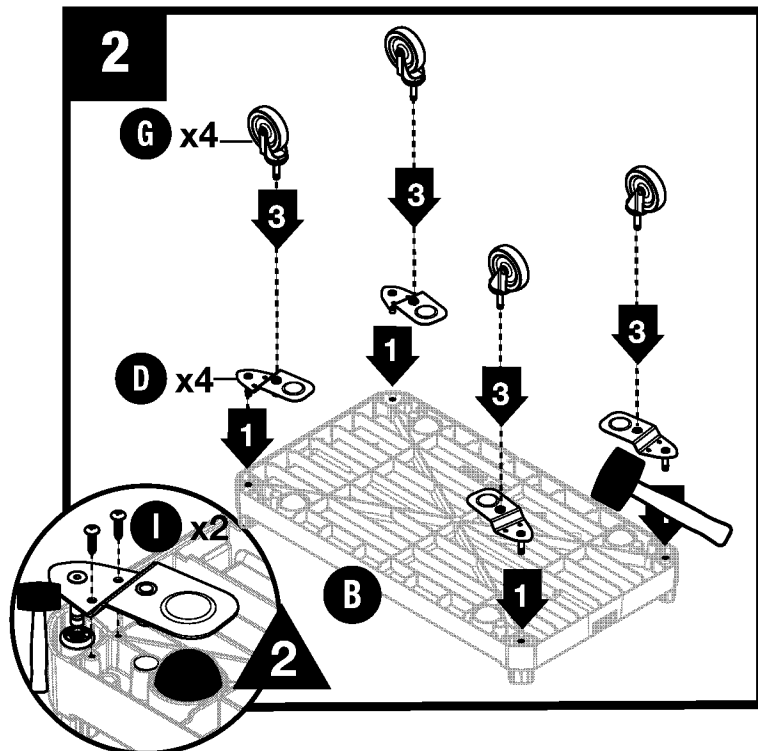
0480448



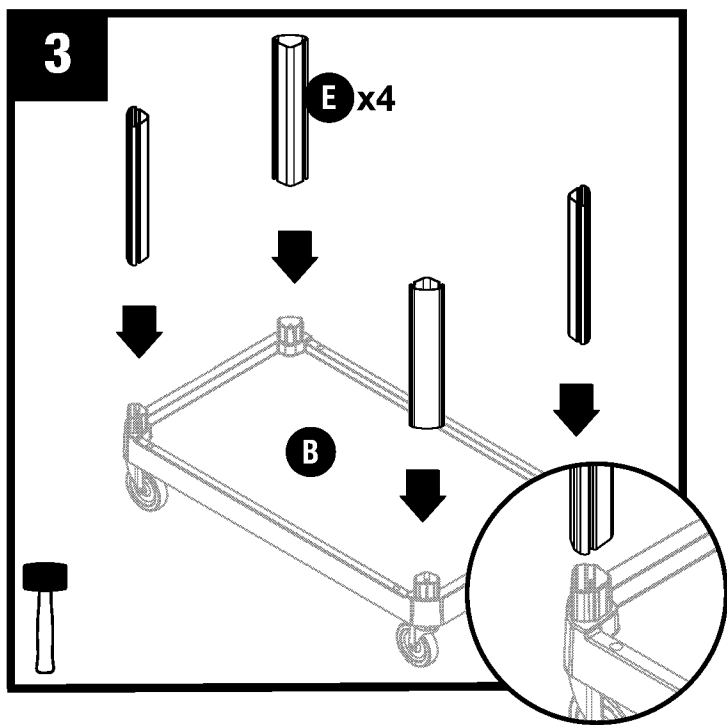
ASSEMBLY



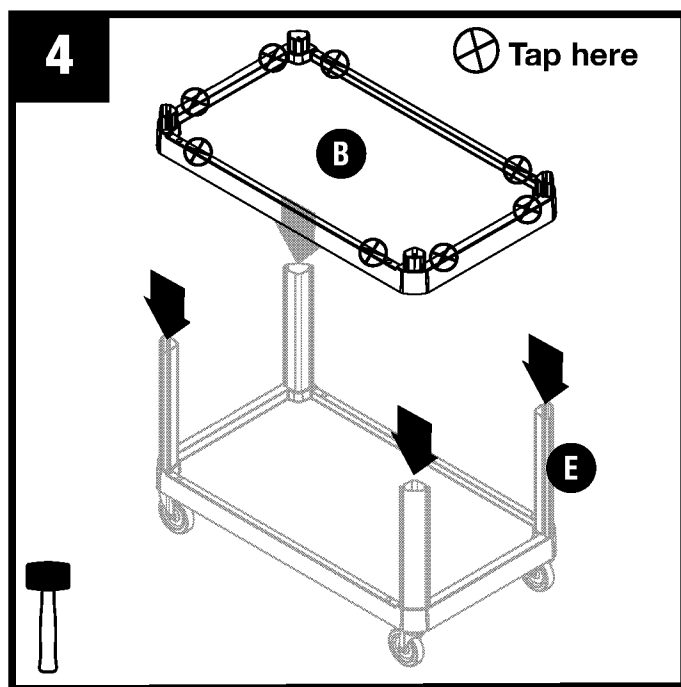
Insert Caster Socket (F) into each corner in bottom tray (B). Evenly tap each caster socket with mallet until fully seated and secure.



Insert Caster (G) into corner hole in bottom of tray (B). Repeat for each corner of tray. Evenly tap each wheel with mallet until fully seated and secure. Turn tray right side up.



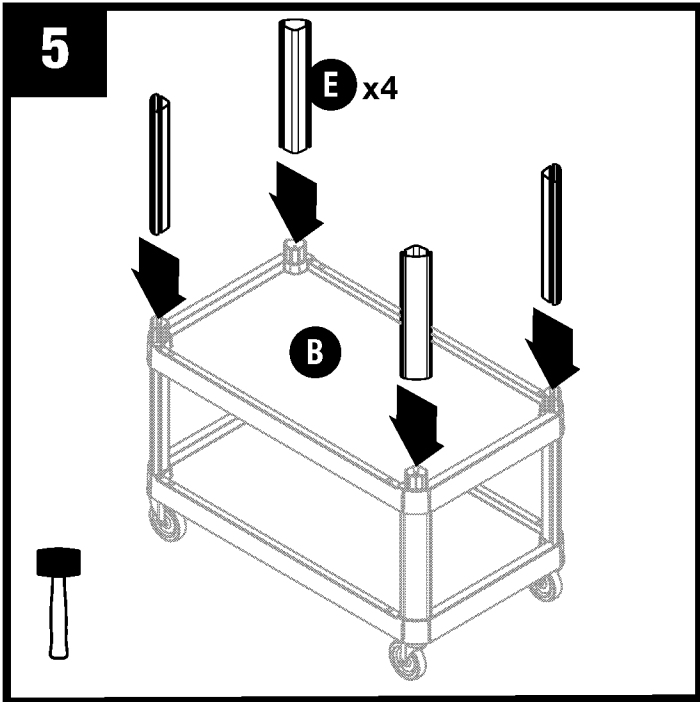
Lower each corner post (E) onto tray (B). For proper alignment, first push down by hand. Then, evenly tap each post with mallet until fully seated and secure.



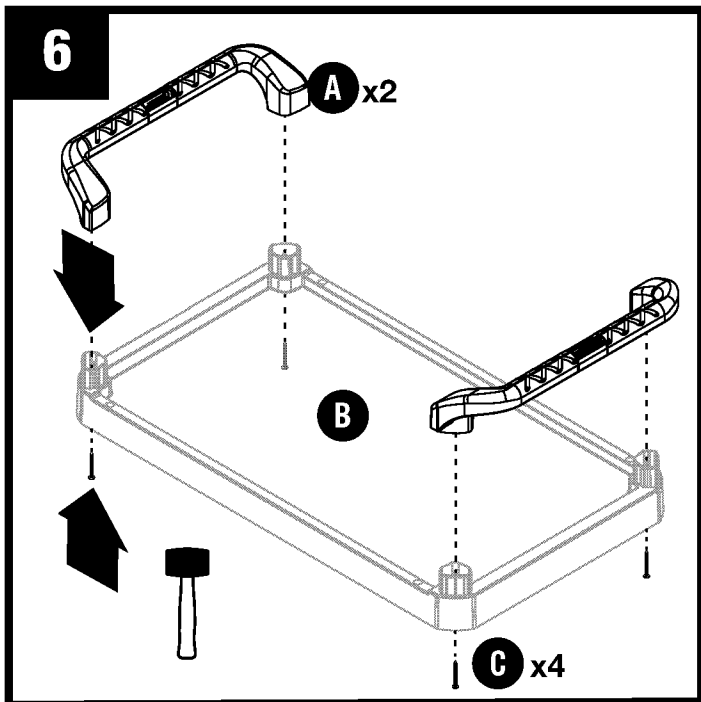
Lower middle tray (B) and insert on top of corner posts (E). First, push down all four corners evenly by hand. Then, evenly tap with mallet on locations indicated until fully seated and secure.

Caution: Mallet should not be used directly on corners.

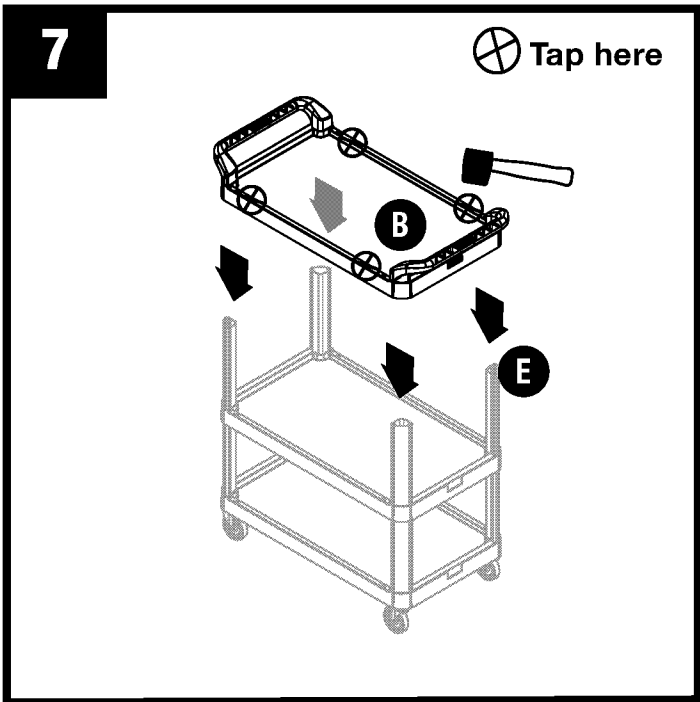
ASSEMBLY CONTINUED



Lower each corner post (E) onto tray (B). For proper alignment, first push down by hand. Then, evenly tap each post with mallet until fully seated and secure.

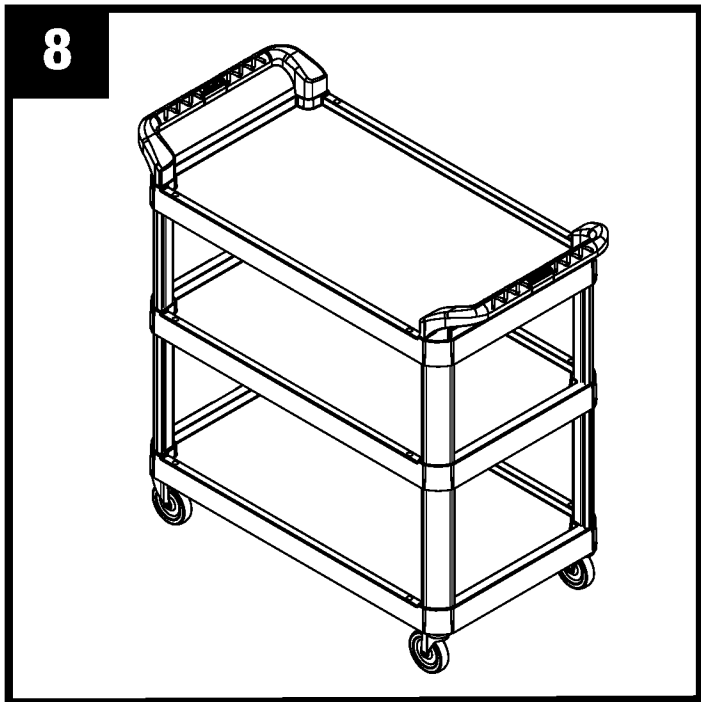


Insert handle (A) onto tray (B). Gently tap each handle corner with mallet to secure handle (A) to tray (B). Attach using 4 screws (C).



Lower top tray (B) and insert on top of corner posts (E). First, push down all four corners evenly by hand. Then, evenly tap with mallet on locations indicated until fully seated and secure.

Caution: Mallet should not be used directly on corners.



Complete